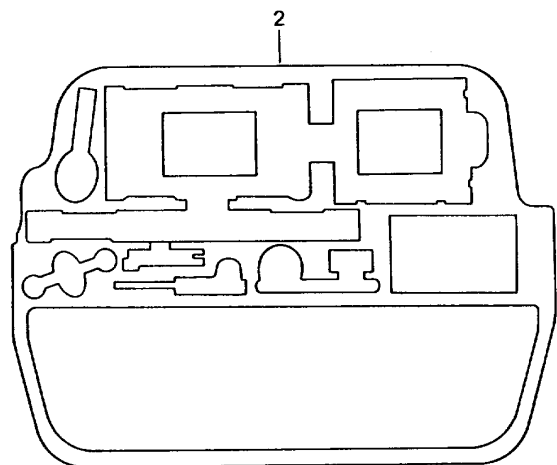
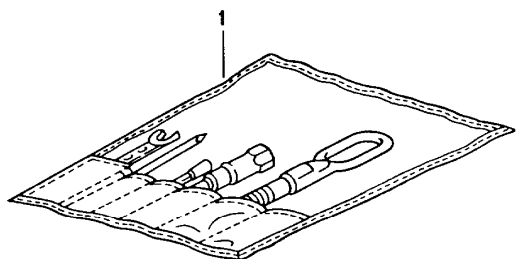


Model	Year	MG	SG	Illustration	Restrictions	UPD	17:08	26.01.2010	PORSCHE	PET	PORSCHE
GT3-1	2005	0	01	001-00		248					

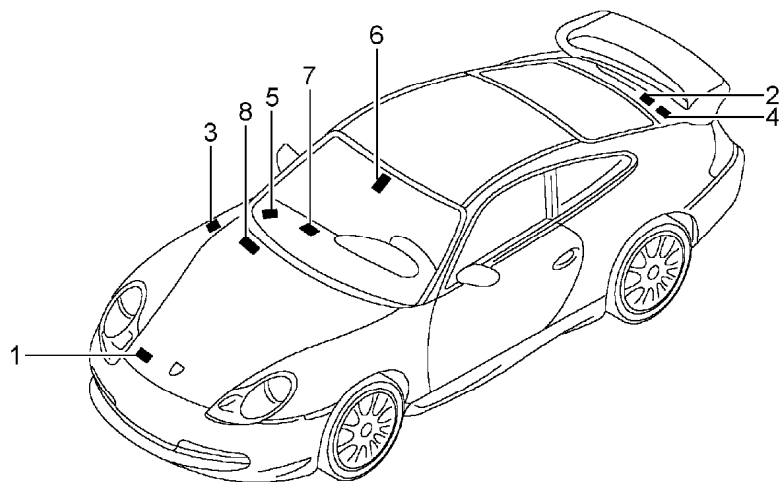


Pos	Part Number	Description	Remark	Qty	Model
1	996 721 115 00	tool fire extinguisher		1	
-	996 721 415 00	tool bag with contents comprising:		1	
-	996 721 415 00	tool bag without content for tyre		1	
-	996 361 521 00	boot for tyre		1	
-	999 914 001 40	plastic gloves		1	
-	996 721 151 00	towing lug		1	
-	477 012 229	double-end spanner 10 X 13		1	
-	477 012 231	screwdriver		1	
-	111 012 287	handle for screwdriver		1	
-	999 571 076 02	socket wrench - 5 - for headlamp		1	
-	999 571 074 30	threaded bolt for assembly wheels		1	
-	477 012 221 A	rim wrench		1	
-	999 571 070 30	operating rod for rim wrench		1	
2	996 721 163 90	foam part		1	
-	-	compressor			
-	-	compressed air bottle			
-	-	tyre pressure gauge			

Model	Year	MG	SG	Illustration	Restrictions	UPD	17:08	26.01.2010	PORSCHE	PET	PORSCHE
GT3-1	2005	0	01	001-00		248					

Pos	Part Number	Description	Remark	Qty	Model	Pos	Part Number	Description	Remark	Qty	Model
-	-	cover for wheel see group 6/01/00									
-	K 993 722 115 70	fire extinguisher		1	M003						
-	996 722 211 90	spacer sleeve		2	M003						
-	K 996 722 213 90	stopper		2	M003						
-	000 722 722 02	warning triangle		1							
-	993 722 041 00	first-aid kit		1							

Model	Year	MG	SG	Illustration	Restrictions	UPD	17:08	26.01.2010	PORSCHE	PET	PORSCHE
GT3-1	2005	0	01	001-05		248					

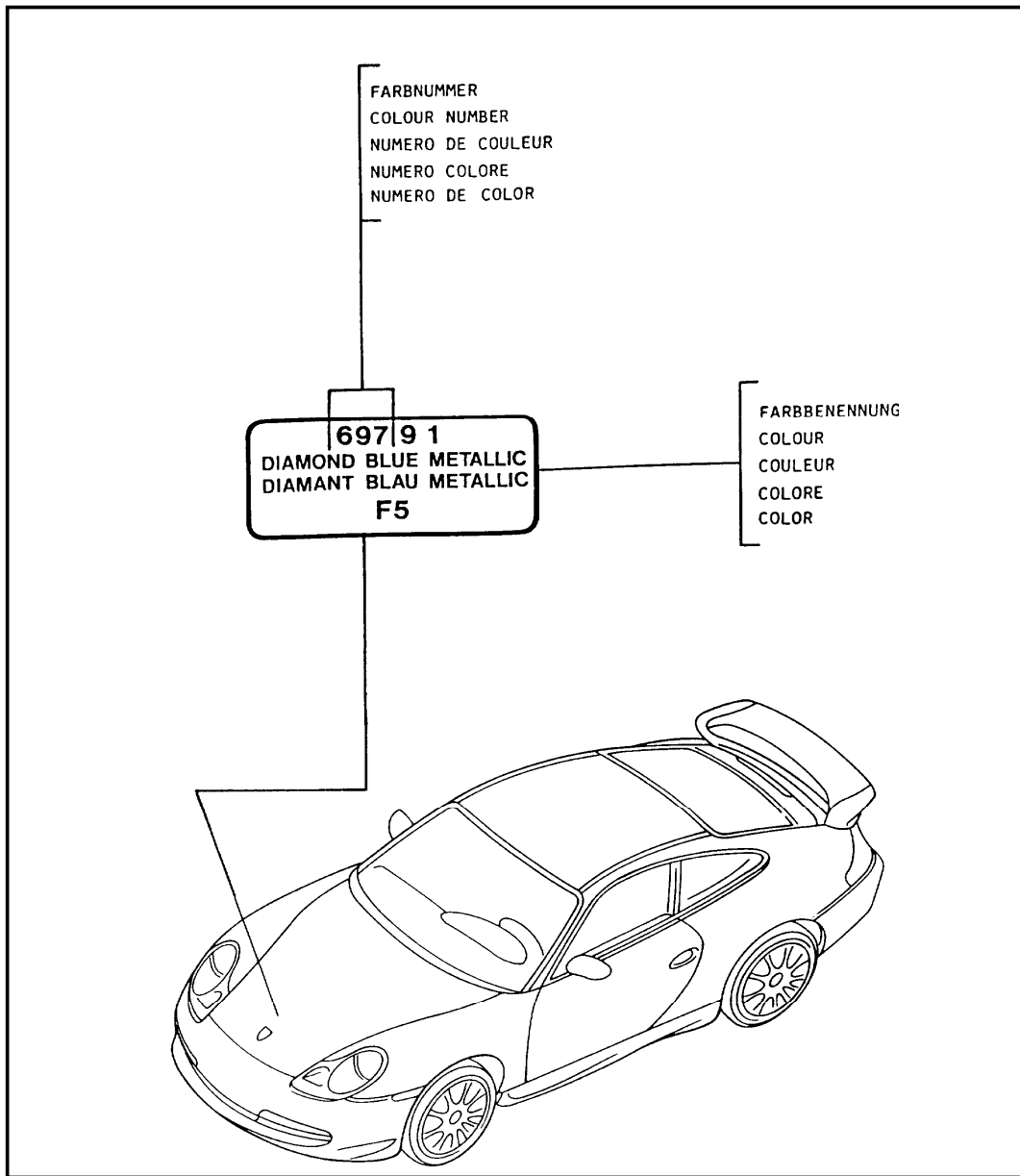


Pos	Part Number	Description	Remark	Qty	Model
		stickers			
		stickers			
		tyre pressure			
1	996 701 287 46	sticker	-02	1	
1	996 701 287 54	sticker	04-	1	
1	996 701 287 47	sticker	(AUS) -02	1	
1	996 701 287 56	sticker	(AUS) 04-	1	
1	996 701 170 00	sticker first-aid kit		1	
		stickers			
		engine specifications			
2	996 006 107 90	sticker	(AUS) -02	1	
2	996 006 107 91	sticker	(AUS) 04	1	
2	996 006 107 92	sticker	(AUS) 05	1	
2	993 006 108 02	sticker	-01	1	M068
2	996 006 108 00	sticker	02-	1	M068
		stickers			
		type of fuel			
3	996 006 117 00	sticker 98 ROZ		1	
3	996 006 117 02	sticker 96 ROZ	(AUS)	1	
3	996 006 117 01	sticker 98 ROZ		1	M150
3	996 006 117 03	sticker 93 RON/MON/2	(J)	1	
3	996 701 190 00	sticker fuel tank cap	01-	1	
4	996 006 120 00	indication sticker expansion tank coolant	01-	1	
4	A 993 006 544 01	sticker engine oil - MOBIL 1 -		1	

Model	Year	MG	SG	Illustration	Restrictions	UPD	17:08	26.01.2010	PORSCHE	PET	PORSCHE
GT3-1	2005	0	01	001-05		248					

Pos	Part Number	Description	Remark	Qty	Model	Pos	Part Number	Description	Remark	Qty	Model
4	997 006 544 00	sticker engine oil - MOBIL 1 - stickers airbag		1							
5	3B0 010 219 B	sticker child car seat		1							
5	8D0 010 141 Q	sticker child car seat	(AUS)	05							
5	986 701 430 00	sticker child car seat german english		04-							
5	986 701 430 01	sticker child car seat italian french		04-							
5	986 701 430 02	sticker child car seat english spanish		04-							
5	986 701 430 03	sticker child car seat swedish english		04-							
5	986 701 430 04	sticker child car seat arabic english		04-							
8	996 701 141 01	sticker air conditioner		1							

Model	Year	MG	SG	Illustration	Restrictions	UPD	17:08	26.01.2010	PORSCHE	PET	PORSCHE
GT3-1	2005	0	04	004-00		248					

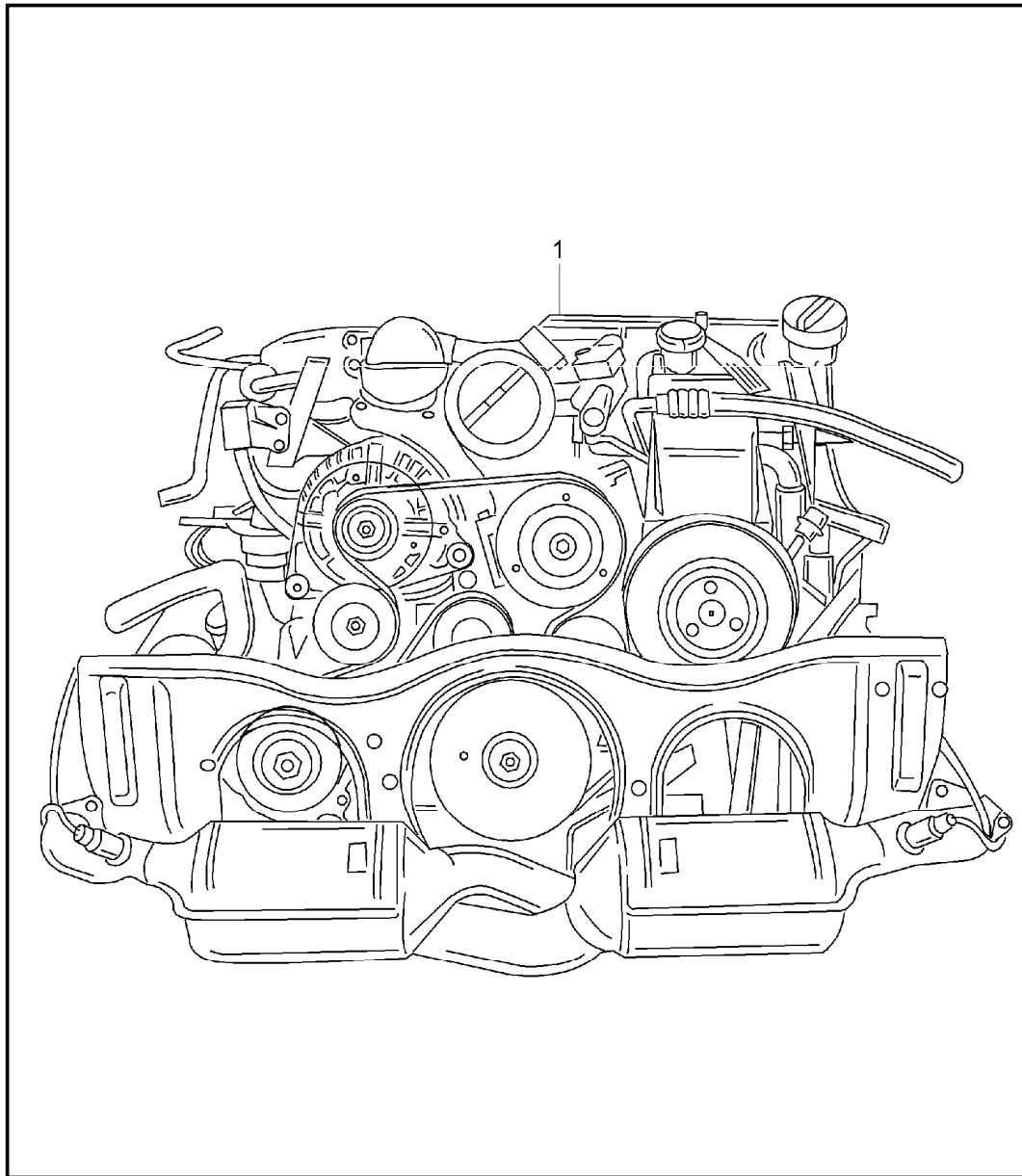


Pos	Part Number	Description	Remark	Qty	Model
-	911 095 932 20	paint touch-up applicator		X	
	719	black			A 1
	80K	guards red			G 1
	9A3	biarritz white			Z 2
	12G	speed yellow			X 4
	347	dark blue			55
	B9A	carrara white			B 4
-	911 095 933 20	paint touch-up applicator set comprising: paint touch-up applicator primer paint touch-up applicator clear lacquer		X	
	92T	arctic silver metallic			X 1
	3AY	ocean blue metallic			E 1
	3AW	zenith blue metallic			F 1
	84R	arena red metallic			H 8
	746	black-metallic			Z 8
	40W	vesuvio grey metallic			K 3
	554	mirage metallic			T 1
	23I	wimbledon green metallic			51
	22E	forest green metallic			53
	39G	violet metallic			54
	37U	cobalt blue metallic			56
	92E	polar silver metallic			58
	22D	slate grey metallic			59
	39N	iris blue metallic			61
	37W	midnight blue metallic			62
			04- -02		E 9
	2A2	rainforest green metallic			J 4

Model	Year	MG	SG	Illustration	Restrictions	UPD	17:08	26.01.2010	PORSCHE	PET	PORSCHE
GT3-1	2005	0	04	004-00		248					

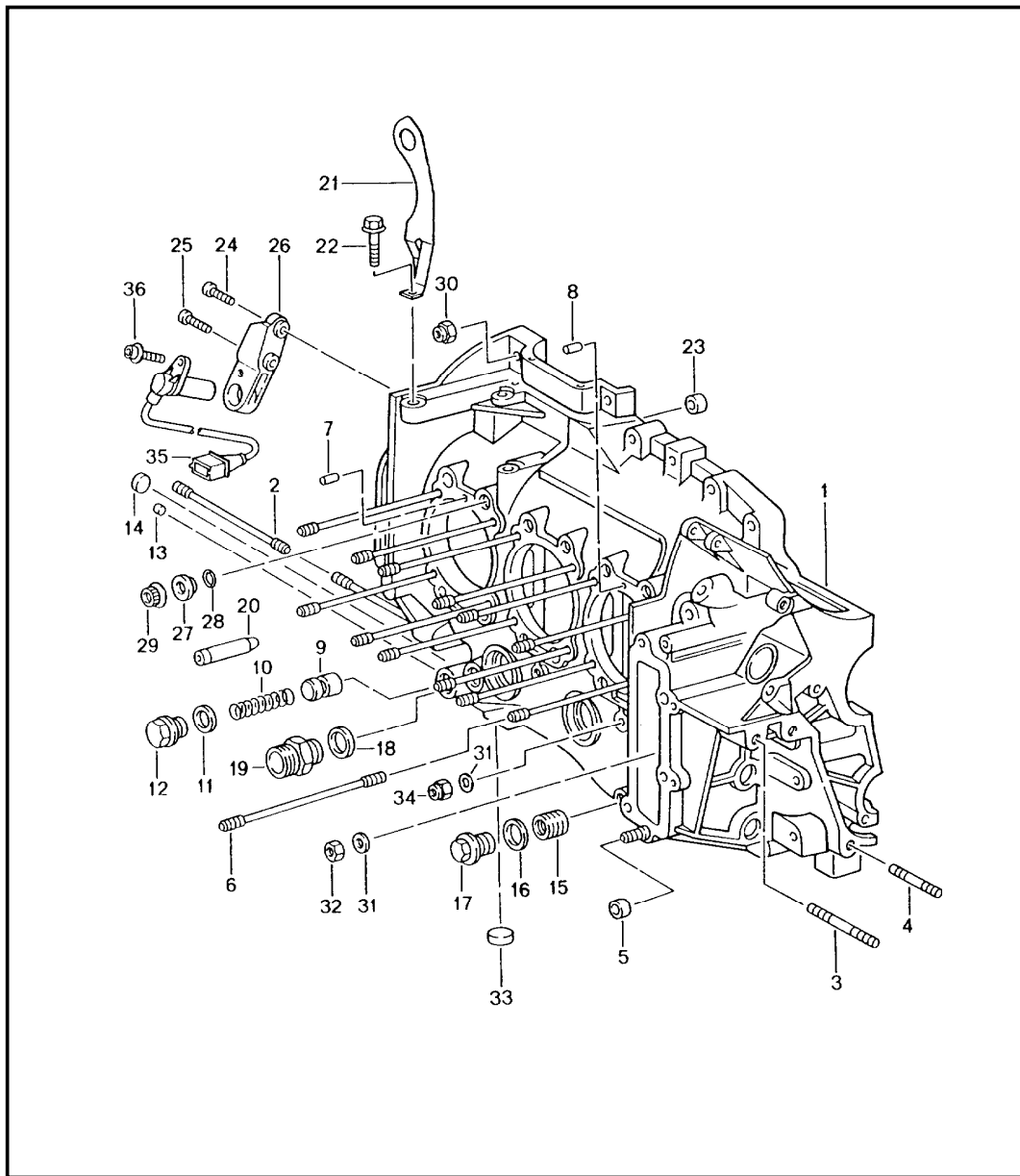
Pos	Part Number	Description	Remark	Qty	Model	Pos	Part Number	Description	Remark	Qty	Model
	1A9	zanzibar red		-02	N 1						
			04-	-02	63						
	8A4	orient red metallic			L 1						
	3A9	lapis blue metallic		-02	E 3						
	M5W	lapis blue metallic		04-	J 2						
	6A7	meridian metallic		-02	X 2						
	6A7	meridian metallic		04-	64						
	6B5	seal grey metallic			Y 1						
	C9Z	basalt black metallic			Z 4						
	M6W	lagoon green metallic		04-	G 4						
	M3W	carmon red metallic		04-	E 4						
	M7X	atlas grey metallic		04-	E 7						

Model	Year	MG	SG	Illustration	Restrictions	UPD	17:09	26.01.2010	PORSCHE	PET	PORSCHE
GT3-1	2005	1	01	101-00		248					



Pos	Part Number	Description	Remark	Qty	Model
		replacement engine ready for installation			M96.76/79
1	> 996 100 976 00	replacement engine	-01	1	M96.76
1	> 996 100 979 00	replacement engine	04	1	M96.79
1	> 996 100 979 01	replacement engine	05	1	M96.79
(1)	> 996 100 979 90	replacement engine	04	1	M96.79 M004

Model	Year	MG	SG	Illustration	Restrictions	UPD	17:09	26.01.2010	PORSCHE	PET	PORSCHE
GT3-1	2005	1	01	101-05		248					

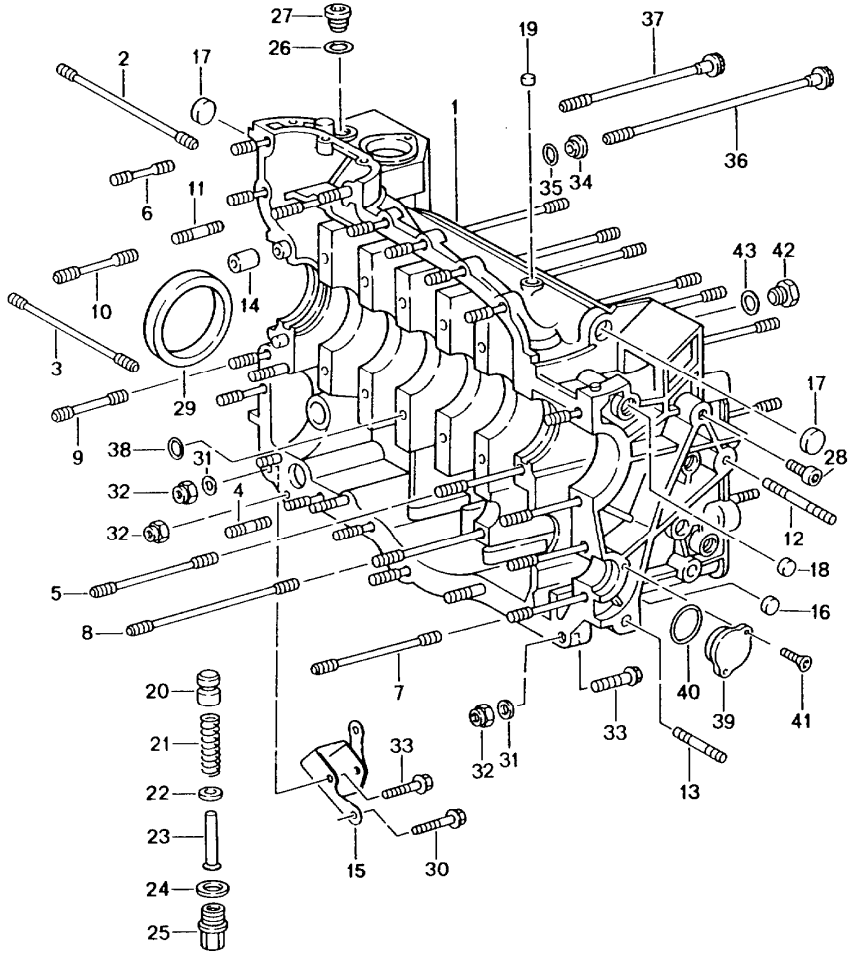


Pos	Part Number	Description	Remark	Qty	Model
		crankcase left			M96.76/79
1	996 101 901 92	crankcase with studs		1	M96.76
1	996 101 901 94	crankcase with studs	04-	1	M96.79
1	996 101 901 95	crankcase with studs	04-	1	M96.79 M004
2	999 062 099 02	stud M 10 X 105		2	
3	999 062 170 02	stud M 10 X 70		1	
4	999 062 056 02	stud BM 10 X 60		1	
5	901 101 145 00	dowel sleeve		4	
6	996 101 172 70	stud		24	
7	900 012 046 00	straight pin A 8,0 X 14		2	
8	900 012 057 00	straight pin A 6,0 X 14		2	
9	911 107 512 00	piston		1	
10	A 901 107 531 00	compression spring		1	
10	901 107 531 01	compression spring		1	
11	900 123 106 30	sealing ring A 18 X 24		1	
12	999 064 026 02	screw plug M 18 X 24		1	
13	911 101 186 00	stopper 7,5 X 8,0		1	
13	911 101 186 01	stopper oversize 8,5 X 8,0		1	
14	911 101 182 00	stopper 13,00 X 8,5		1	
(14)	911 101 182 01	stopper oversize 14,00 X 8,5		1	

Model	Year	MG	SG	Illustration	Restrictions	UPD	17:09	26.01.2010	PORSCHE	PET	PORSCHE
GT3-1	2005	1	01	101-05		248					

Pos	Part Number	Description	Remark	Qty	Model	Pos	Part Number	Description	Remark	Qty	Model
15	999 504 127 00	threaded insert 20 X 1,5		1		(33)	911 101 184 01	stopper oversize 20,00 X 13		1	
16	900 123 118 30	sealing ring A 22 X 27		1		34	999 084 096 02	lock nut M 10		1	
17	944 107 197 01	screw plug		1		35	996 606 105 01	pulse sender	04-	1	M96.79
18	900 123 011 30	sealing ring A 22 X 27		1		36	999 218 005 02	pan-head screw M 6 X 16		1	
19	A 999 136 044 09	union 18		1		37	911 101 186 01	stopper M8 X 20		1	
19	999 136 044 01	union 18		1		38	999 501 065 30	stopper 9,2		1	
20	K 996 101 018 91	splash valve M 20 X 1,5		6		39	999 501 082 30	stopper 10,2		1	
21	996 101 251 72	retaining bar		1		40	999 507 842 40	support pulse sender		1	
22	900 074 040 02	hexagon-head bolt M 8 X 50		1							
23	901 101 195 00	dowel sleeve		2							
24	900 075 341 02	combination screw M 6 X 25		1							
25	900 378 115 09	hexagon-head bolt M 6 X 35		1							
26	964 101 187 01	support		1							
27	964 101 313 02	washer		15							
28	999 701 006 40	o-ring 8 X 2		15							
29	959 101 172 00	nut		11							
30	A 999 084 095 02	lock nut M 8		23							
30	900 910 003 01	lock nut M 8		23							
31	900 025 008 09	washer A 10,5		2							
32	900 076 078 01	hexagon nut M 10 X 1,25		1							
33	911 101 184 00	stopper 19,00 X 13		1							

Model	Year	MG	SG	Illustration	Restrictions	UPD	17:09	26.01.2010	PORSCHE	PET	PORSCHE
GT3-1	2005	1	01	101-10		248					



Pos	Part Number	Description	Remark	Qty	Model
		crankcase right			M96.76/79
1	996 101 901 92	crankcase with studs		1	M96.76
1	996 101 901 94	crankcase with studs	04-	1	M96.79
1	996 101 901 95	crankcase with studs	04-	1	M96.79 M004
2	999 062 225 02	stud BM 10 X 140		1	
3	999 062 099 02	stud BM 10 X 105		1	
4	999 062 007 02	stud BM 8 X 22		3	
5	996 101 175 70	stud		1	
6	999 062 115 02	stud BM 8 X 32		13	
7	999 062 156 02	stud BM 8 X 78		3	
8	999 062 276 02	stud BM 10 X 110		1	
9	999 062 075 02	stud BM 8 X 48		2	
10	999 062 138 02	stud BM 8 X 52		1	
11	999 062 009 02	stud BM 8 X 28		1	
12	999 062 170 02	stud BM 10 X 70		1	
13	999 062 056 02	stud BM 10 X 60		1	
14	901 101 195 00	dowel sleeve		2	
15	996 101 206 70	hook		1	
16	911 101 184 00	stopper 19,00 X 13		1	

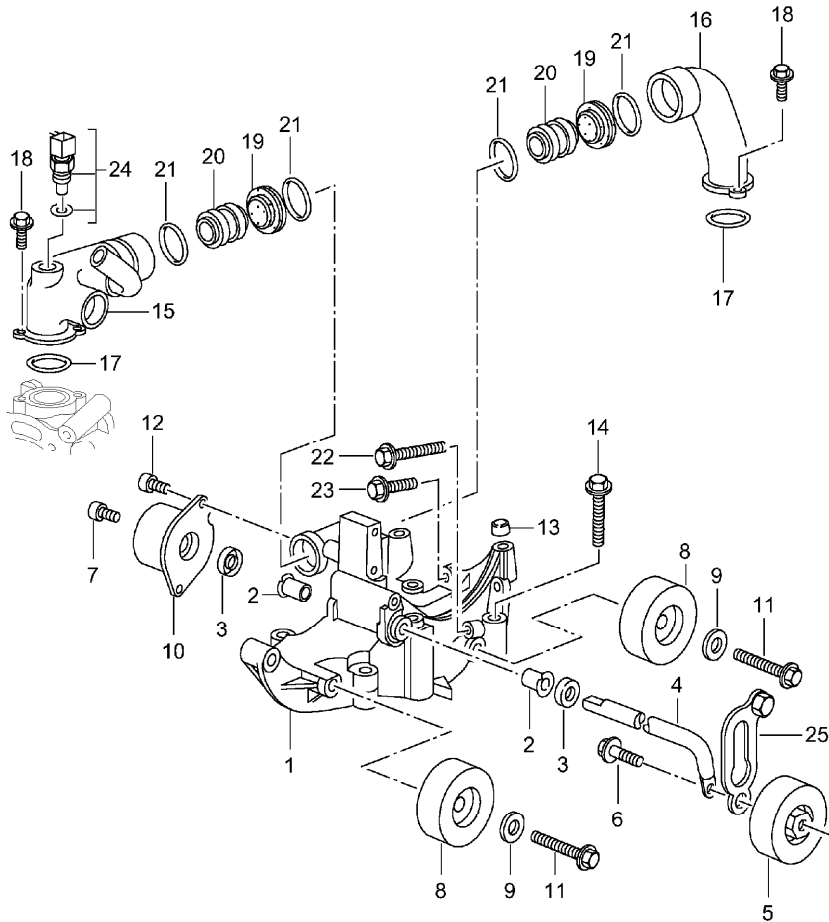
Model	Year	MG	SG	Illustration	Restrictions	UPD	17:09	26.01.2010	PORSCHE	PET	PORSCHE
GT3-1	2005	1	01	101-10		248					

Pos	Part Number	Description	Remark	Qty	Model	Pos	Part Number	Description	Remark	Qty	Model
(16)	911 101 184 01	stopper oversize 20,00 X 13		1		29	997 102 264 91	radial sealing ring 90 x 110 x 12 use also:		1	M96.79
17	911 101 185 00	stopper 22,00 X 9		2		-	997 101 264 90	spacer ring see technical information service group 1 1359 3/08		1	
(17)	911 101 185 01	stopper oversize 23,00 X 9		2		30	900 378 150 09	hexagon-head bolt AM 8 X 55		1	
18	911 101 182 00	stopper 13,00 X 8,5		1		31	900 031 001 02	washer 8,4		26	
(18)	911 101 182 01	stopper oversize 14,00 X 8,5		1		32 A	999 084 095 02	lock nut M 8		23	
19	911 101 186 00	stopper 7,50 X 8		1		32	900 910 003 01	lock nut M 8		23	
19	911 101 186 01	stopper oversize 8,50 X 8		1		33	900 074 134 02	hexagon-head bolt M 8 X 45		2	
20	911 107 512 00	piston		1		34	964 101 313 02	washer		13	
21	996 107 127 80	compression spring		1		35	999 701 006 40	o-ring 8 X 2		13	
22	996 107 532 81	spacer ring		1		36	959 101 173 01	screw		11	
23	996 107 533 91	guide sleeve		1		37	964 101 174 00	screw		2	
24	900 123 106 30	sealing ring A 18 X 24		1		38	999 701 596 40	o-ring 8,3 X 2,4		4	
25	996 107 105 80	screw plug		1		39	930 105 165 00	cover		1	
26	900 123 140 30	sealing ring A 18 X 22		1		40	999 707 315 40	round seal 33,3 X 2,4		1	
27	900 219 009 30	screw plug M 18 X 1,5		1		41	900 075 010 09	hexagon-head bolt M 6 X 12		2	
28	999 074 017 02	pan-head screw M 10 X 18		1		42	900 219 004 30	screw plug M 16 X 1,5		1	
29	999 113 426 41	radial sealing ring 90 X 110 X 12		1	M96.76	43	900 123 018 30	sealing ring A 16 X 20		1	
29 A	996 102 264 91	radial sealing ring 90 X 110 X 12		1	M96.79	44	900 036 008 02	stopper B15		1	
29 A	996 102 264 92	radial sealing ring 90 X 110 X 12		1	M96.79	46	999 707 285 40	o-ring 51 X 4,5		1	

Model	Year	MG	SG	Illustration	Restrictions	UPD	17:09	26.01.2010	PORSCHE	PET	PORSCHE
GT3-1	2005	1	01	101-10		248					

Pos	Part Number	Description	Remark	Qty	Model	Pos	Part Number	Description	Remark	Qty	Model
47	900 012 061 00	straight pin 5H8 X 10		1							
48	999 217 111 02	combination screw M8 X 45		1							
49	999 704 172 50	sealing ring 16,3 X 22 X 9,5		1							

Model	Year	MG	SG	Illustration	Restrictions	UPD	17:09	26.01.2010	PORSCHE	PET	PORSCHE
GT3-1	2005	1	01	101-15		248					

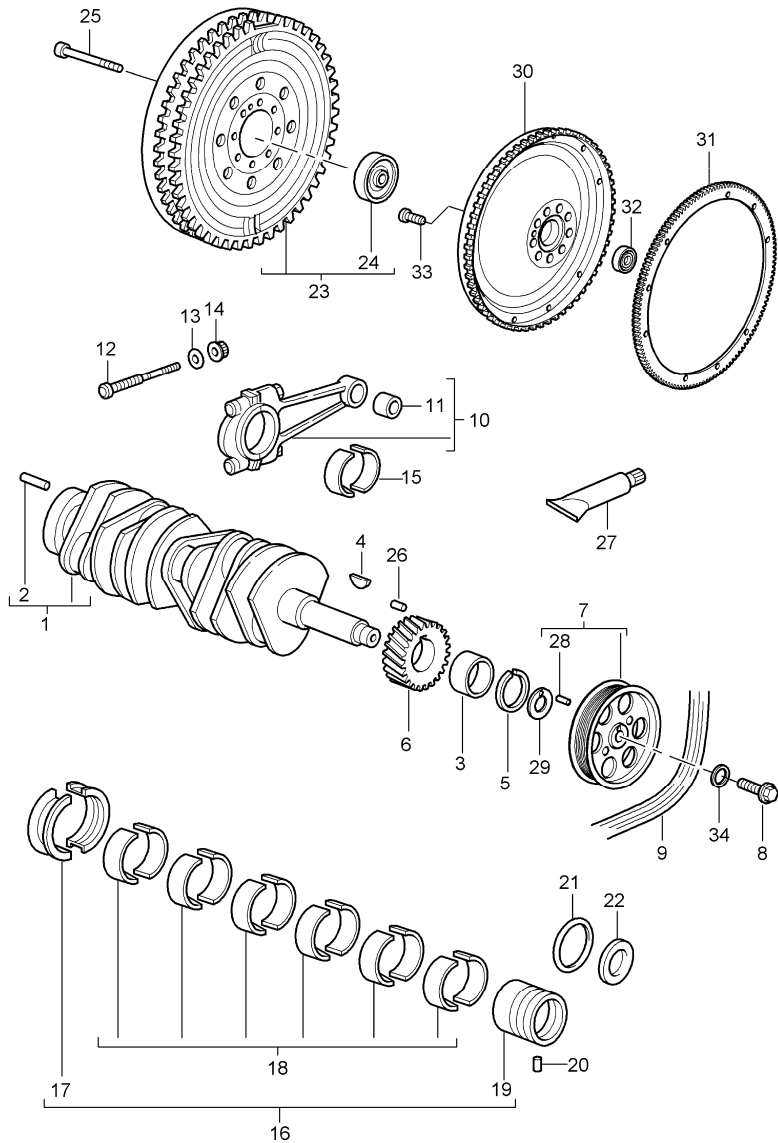


Pos	Part Number	Description	Remark	Qty	Model
		belt tensioner belt drive			M96.76/79
1	996 115 112 70	bracket		1	
2	A 996 102 167 50	bearing sleeve		2	
2	997 102 167 00	bearing sleeve		2	
3	996 102 365 50	dust boot		2	
4	996 115 913 70	lever		1	
5	996 115 016 70	tensioning roller		1	
6	999 072 041 09	hexagon-head bolt M 10 X 30		1	
7	900 067 117 03	pan-head screw M 6 X 16		1	
8	A 996 115 015 71	deflection roller		2	
(8)	996 115 015 76	deflection roller		2	
9	996 102 125 53	cover disc		2	
10	A 996 115 221 71	tensioner		1	
10	996 115 221 72	tensioner		1	
11	900 074 063 02	hexagon-head bolt M 10 X 55		2	
12	900 067 131 02	screw M 8 X 16		2	
13	999 095 063 02	dowel sleeve 11 M 6 X 10		2	
14	900 378 098 09	hexagon-head bolt AM 10 X 60		4	
15	996 106 039 73	connection piece		1	
16	996 106 440 72	connection piece		1	
17	999 707 410 40	o-ring 39,20 X 3,00		2	
18	900 378 030 09	hexagon-head bolt M 6 X 20		4	
19	996 106 214 70	protective ring		2	
20	996 106 238 71	joining socket		2	

Model	Year	MG	SG	Illustration	Restrictions	UPD	17:09	26.01.2010	PORSCHE	PET	PORSCHE
GT3-1	2005	1	01	101-15		248					

Pos	Part Number	Description	Remark	Qty	Model	Pos	Part Number	Description	Remark	Qty	Model
21	999 707 411 40	o-ring 28,00 X 4,50		4							
22	900 378 150 09	hexagon-head bolt M 8 X 55		1							
23	900 378 022 09	hexagon-head bolt M 8 X 25		2							
24	996 606 405 01	temperature sensor		1	M96.76						
24	996 606 410 00	temperature sensor	04-	1	M96.79						
25	996 115 213 71	driver		1							

Model	Year	MG	SG	Illustration	Restrictions	UPD	17:09	26.01.2010	PORSCHE	PET	PORSCHE
GT3-1	2005	1	02	102-00		248					



Pos	Part Number	Description	Remark	Qty	Model
		crankshaft			M96.76/79
		see technical information group 3 NR.3 /03	04-		M96.79
1	K 996 102 021 91	crankshaft	-01	1	M96.76
1	K 996 102 021 92	crankshaft	04-	1	M96.79
2	900 095 031 00	tensioning sleeve 6 X 16		1	
3	959 102 321 00	intermediate ring		1	
4	901 102 147 00	woodruff key		1	
5	901 102 148 00	circlip number 0		1	
5	901 102 148 01	circlip number 1		1	
5	901 102 148 02	circlip number 2		1	
5	901 102 148 03	circlip number 3		1	
6		see group 1/03/15		1	
7	K 996 102 115 93	vibration damper		1	
(7)	996 102 017 93	pulley	04-	1	M96.79
(7)	K 996 102 017 95	pulley	04-	1	/M004 M96.79
8	K 996 102 301 90	hexagon-head bolt M 14 X 1,5 X 48		1	M96.76
(8)	999 217 128 01	hexagon-head bolt M 14 X 1,5 X 33	04-	1	/M004 M96.79
(8)	993 102 550 80	hexagon-head bolt M 14 X 1,5 X 40	04-	1	M96.79
9	K 996 102 151 92	poly-rib belt		1	M574
9	996 102 151 93	poly-rib belt		1	M573
10	K 996 103 012 93	connecting rod		6	M96.76
(10)	A 996 103 012 95	connecting rod	04-	6	M96.79

Model	Year	MG	SG	Illustration	Restrictions	UPD	17:09	26.01.2010	PORSCHE	PET	PORSCHE
GT3-1	2005	1	02	102-00		248					

Pos	Part Number	Description	Remark	Qty	Model	Pos	Part Number	Description	Remark	Qty	Model
(10)	A 996 103 012 96	connecting rod	04-	6	M96.79	17	930 101 131 51	bearing shell I		2	
(10)	K 996 103 012 98	connecting rod	04-	6	M96.79			oversize inner			
11	996 103 111 90	connecting rod bush		6				0,25 MM			
12	K 996 103 176 91	connecting rod bolt		12		17	930 101 131 56	bearing shell I		2	
(12)	K 996 103 176 93	connecting rod bolt	04-	12	M96.79			oversize inner			
13	K 996 103 174 90	washer		12				0,50 MM			
14	K 996 103 173 90	connecting rod nut		12		17	930 101 131 61	bearing shell I		2	
15	K 996 103 121 81	connecting-rod bearing		12	M96.76			oversize outer			
(15)	K 996 103 121 94	connecting-rod bearing	04-	12	M96.79			0,25 MM			
16	964 101 901 00	set of crankshaft bearings		1		17	930 101 131 71	bearing shell I		2	
16	964 101 901 51	set of crankshaft bearings oversize inner		1				oversize inner			
		0,25 MM						0,25 MM			
16	964 101 901 56	set of crankshaft bearings oversize inner		1		17	930 101 131 76	bearing shell I		2	
		0,50 MM						oversize inner			
16	964 101 901 61	set of crankshaft bearings oversize outer		1				0,50 MM outer			
		0,25 MM						0,25 MM			
16	964 101 901 71	set of crankshaft bearings oversize inner		1		18	930 101 132 15	bearing shell II-VII		12	
		0,25 MM				18	996 101 232 92	main bearing II-VII	04-	12	M96.79
		oversize outer				18	930 101 132 51	bearing shell II-VII		12	
		0,25 MM						oversize inner			
16	964 101 901 76	set of crankshaft bearings oversize inner		1		18	930 101 132 56	bearing shell II-VII		12	
		0,50 MM						oversize inner			
		oversize outer						0,50 MM			
		0,25 MM									
17	930 101 131 15	bearing shell I		2		18	930 101 132 61	bearing shell II-VII		12	
17	996 101 231 92	thrust bearing I	04-	2	M96.79			oversize outer			
								0,25 MM			

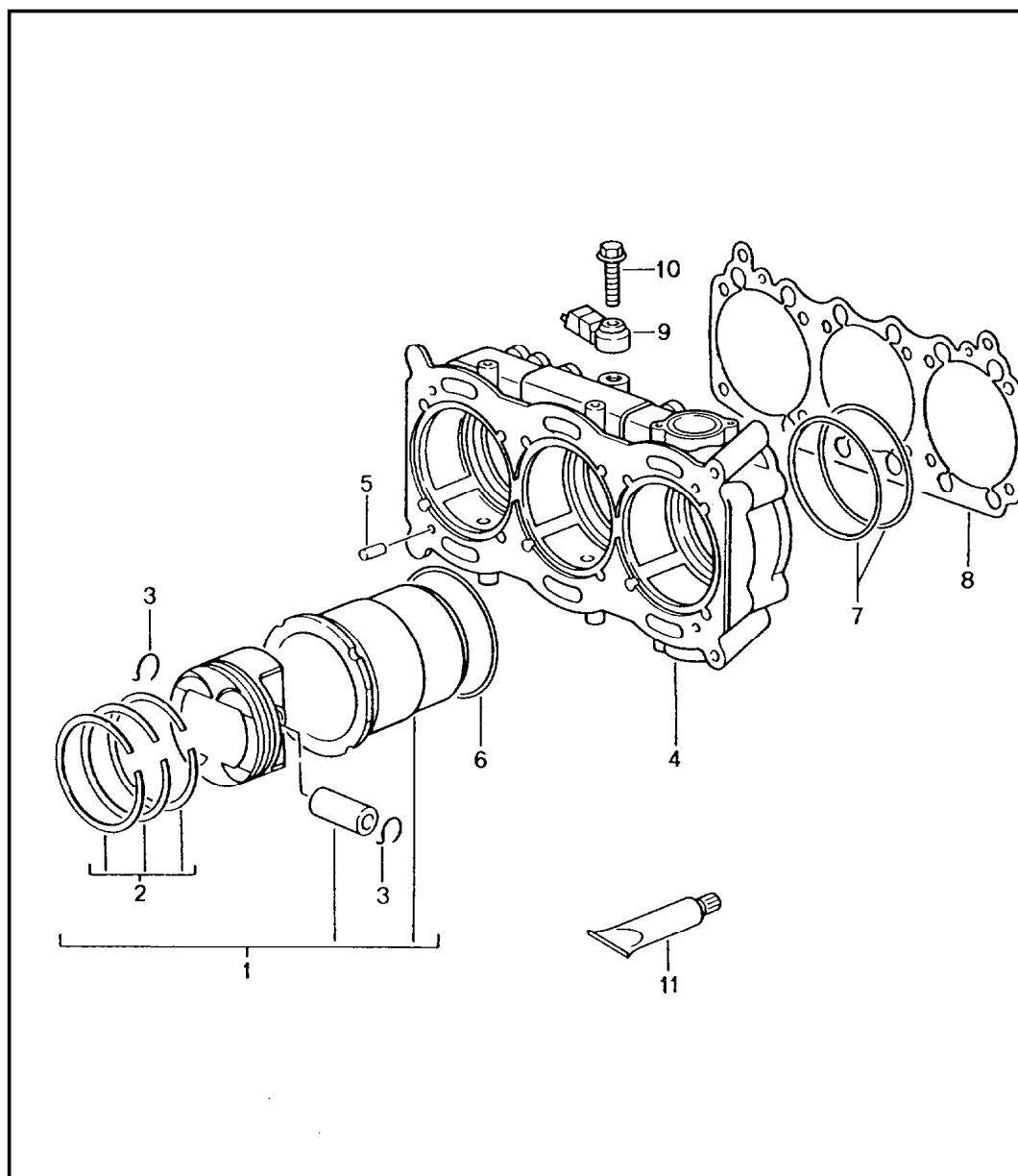
Model	Year	MG	SG	Illustration	Restrictions	UPD	17:09	26.01.2010	PORSCHE	PET	PORSCHE
GT3-1	2005	1	02	102-00		248					

Pos	Part Number	Description	Remark	Qty	Model	Pos	Part Number	Description	Remark	Qty	Model
18	930 101 132 71	bearing shell II-VII oversize inner 0,25 MM outer 0,25 MM		12		21	999 707 285 40	o-ring 51 X 4,5		1	
18	930 101 132 76	bearing shell II-VII oversize inner 0,50 MM outer 0,25 MM		12		22	999 113 290 41	sealing ring 30 X 50 X 10		1	M96.76
19	964 101 138 01	bearing sleeve VIII		1		(22)	997 102 265 91	shaft sealing ring 30 X 50 X 10 see workshop manual group 1 13-74		1	M96.79
19	964 101 138 54	bearing sleeve VIII oversize inner 0,25 MM	04-	1		23	996 114 012 50	double-mass flywheel	-01 04-	1	M002 M003
19	964 101 138 55	bearing sleeve VIII oversize inner 0,50 MM		1		24	999 052 169 00	deep-groove ball bearing 15 x 50 x 11		1	
19	964 101 138 65	bearing sleeve VIII oversize outer 0,25 MM		1		25	999 119 017 01	pan-head screw M 10 X 1,25 X 62		9	
19	964 101 138 66	bearing sleeve VIII oversize inner 0,25 MM outer 0,25 MM	04- 04- 04- 04-	1		26	900 302 023 00	straight pin M 4 X 16		1	
19	964 101 138 67	bearing sleeve VIII oversize inner 0,50 MM outer 0,25 MM		1		27	A 000 043 300 12	grease 100 GR.		1	
20	900 012 061 00	straight pin 5 H 8 X 10		1		(27)	000 043 300 21	grease 100 Gr. for titanium connecting rod bolt		1	
						(27)	000 043 024 00	extreme-pressure grease 1 tube 80 Gr. for connecting-rod bearing		1	
						28	900 012 071 00	straight pin A 4 X 8		1	
						29	996 102 203 90	washer	04-	1	M96.79
						30	> 964 102 239 31	flywheel	-01 04-	1	M003 M004
						31	964 114 143 31	ring gear	-01 04-	1	M003 M004
						32	931 102 111 00	deep-groove ball bearing	-01 04-	1	M003 M004
						33	928 102 151 01	pan-head screw	-01 04-	9	M003 M004

Model	Year	MG	SG	Illustration	Restrictions	UPD	17:09	26.01.2010	PORSCHE	PET	PORSCHE
GT3-1	2005	1	02	102-00		248					

Pos	Part Number	Description	Remark	Qty	Model	Pos	Part Number	Description	Remark	Qty	Model
34	999 025 174 02	washer 14 x 1,5 x 40		1	M004						

Model	Year	MG	SG	Illustration	Restrictions	UPD	17:10	26.01.2010	PORSCHE	PET	PORSCHE
GT3-1	2005	1	02	102-05		248					

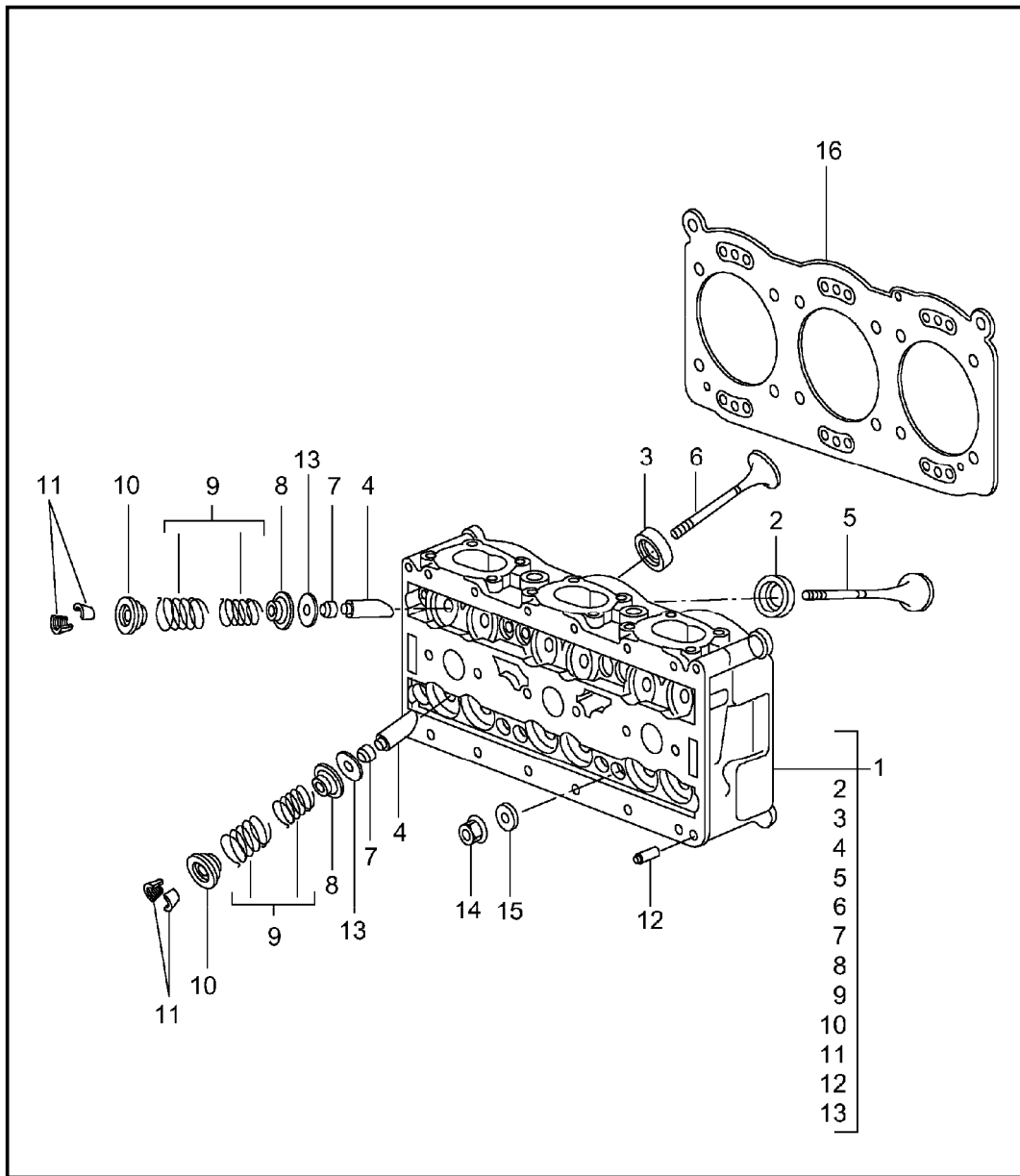


Pos	Part Number	Description	Remark	Qty	Model
		cylinder with piston			M96.76/79
1	U 996 103 915 95	cylinder with piston number plate -- / -		6	
1	K 996 103 915 97	cylinder with piston number plate -- / -		6	
1	K 996 103 942 00	cylinder with piston number plate -- / -	04-	6	M96.79
2	996 103 925 90	set of piston rings		6	
-	K 996 103 371 91	piston ring 1.		6	
-	K 996 103 371 92	piston ring 1.	04-	6	M96.79
-	K 996 103 374 90	piston ring 2.		6	
-	K 996 103 374 91	piston ring 2.	04-	6	M96.79
-	K 993 103 372 00	oil scraper ring		6	
-	K 996 103 372 71	oil scraper ring	04-	6	M96.79
3	K 999 178 020 00	circlip		12	
-	K 993 103 379 81	piston pin		6	
-	K 996 103 379 90	piston pin	04-	6	M96.79
4	996 101 311 75	housing		2	
5	900 012 046 00	straight pin A 8,0 X 14		8	
6	999 707 393 40	o-ring 104,00 X 2,00		6	
7	999 707 394 40	o-ring 110,00 X 2,50		12	
8	996 101 193 72	cylinder base gasket		2	
9	996 606 125 00	knock sensor		2	
10	900 378 033 09	hexagon-head bolt AM 8 X 30		2	

Model	Year	MG	SG	Illustration	Restrictions	UPD	17:10	26.01.2010	PORSCHE	PET	PORSCHE
GT3-1	2005	1	02	102-05		248					

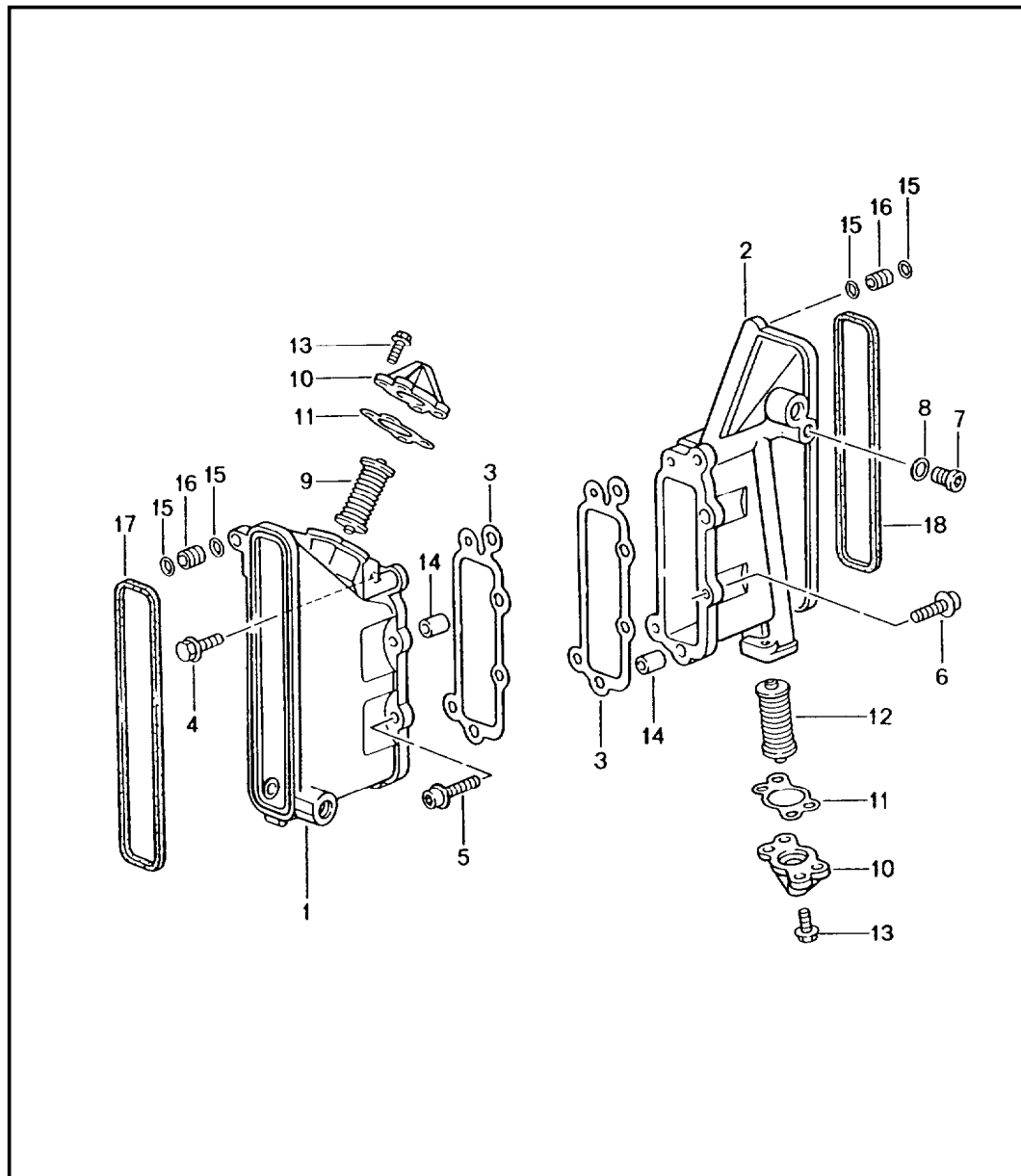
Pos	Part Number	Description	Remark	Qty	Model	Pos	Part Number	Description	Remark	Qty	Model
11	000 043 205 10	grease 80 GR.		1							

Model	Year	MG	SG	Illustration	Restrictions	UPD	17:10	26.01.2010	PORSCHE	PET	PORSCHE
GT3-1	2005	1	03	103-00		248					



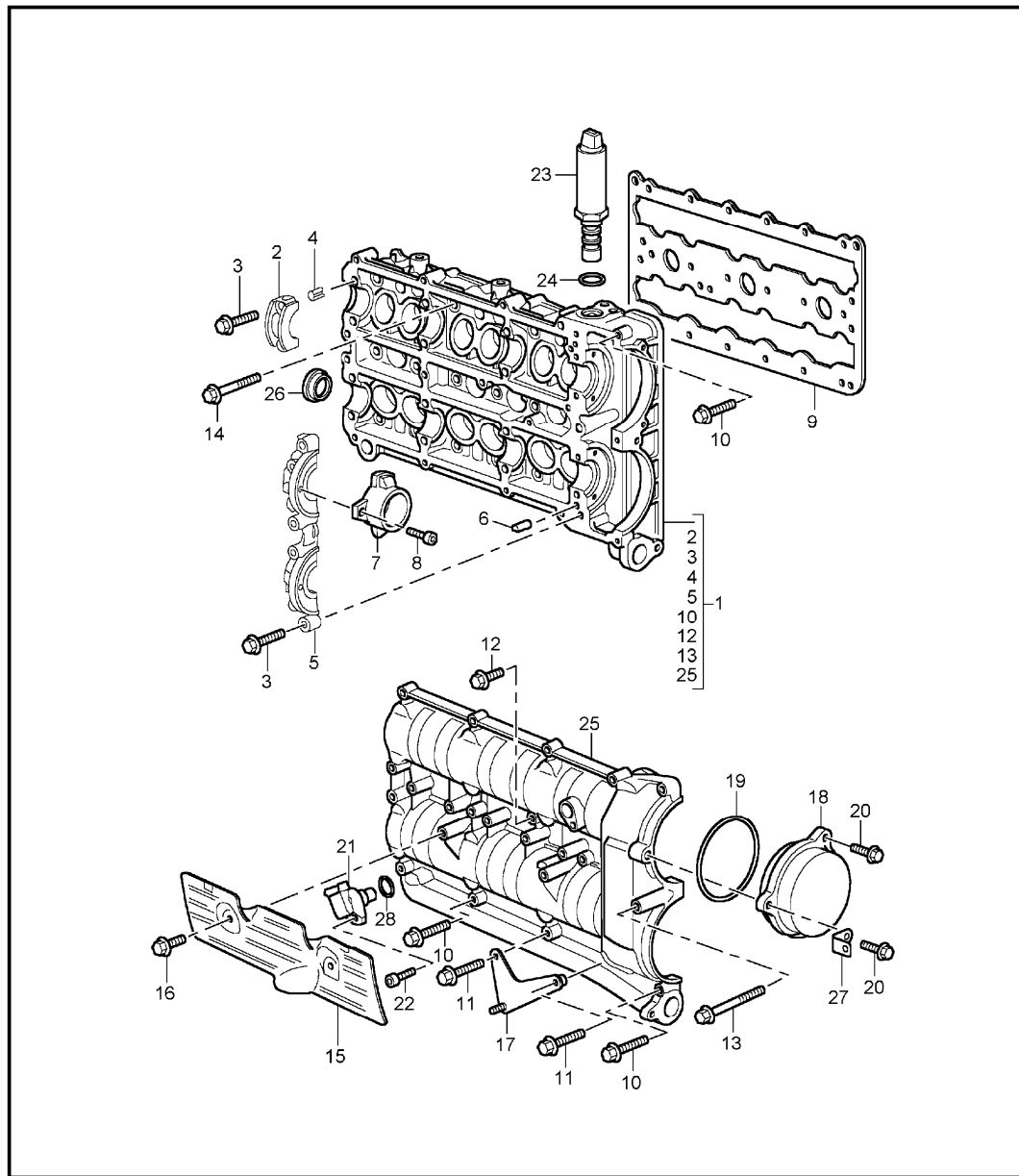
Pos	Part Number	Description	Remark	Qty	Model
		cylinder head			M96.76/79
1	K 996 104 001 98	cylinder head ready for installation		2	M96.76
1	U 996 104 012 94	cylinder head ready for installation	04-	2	M96.79
1	K 996 104 002 94	cylinder head ready for installation	04-	2	M96.79
1	996 104 002 96	cylinder head ready for installation	04-	2	M96.79 M004
5	K 996 105 111 93	intake valve		12	
5	K 996 105 111 97	intake valve	04-	12	M96.79
6	K 996 105 113 93	exhaust valve		12	
6	K 996 105 113 97	exhaust valve	04-	12	M96.79
7	996 105 115 52	valve stem seal		24	
8	K 996 105 117 90	concave washer		24	
8	A 996 105 117 91	concave washer	04-	24	M96.79
8	K 996 105 117 9E	concave washer	04-	24	M96.79
9	K 996 105 093 90	set of valve springs		24	
9	K 996 105 093 94	set of valve springs	04-	24	M96.79
10	K 996 105 121 90	concave washer		24	
10	K 996 105 121 94	concave washer	04-	24	M96.79
11	996 105 123 52	valve collet		48	
12	900 012 046 00	straight pin A 8,0 X 14		4	
13	K 996 105 461 90	washer		24	
13	K 996 105 461 93	washer	04-	24	M96.79
14	996 104 382 80	cylinder head nut		24	
15	K 996 104 351 90	washer		24	
16	996 104 170 72	cylinder head gasket		2	

Model	Year	MG	SG	Illustration	Restrictions	UPD	17:10	26.01.2010	PORSCHE	PET	PORSCHE
GT3-1	2005	1	03	103-05		248					



Pos	Part Number	Description	Remark	Qty	Model
		chain case			M96.76/79
		chain adjuster			
1	996 105 143 74	chain case	/L	00	1
(1)	996 105 143 77	chain case	/L	01	1
(1)	996 105 143 78	chain case	/L	04-	1 M96.79
2	996 105 144 74	chain case	/R	00	1
(2)	996 105 144 77	chain case	/R	01	1
(2)	996 105 144 78	chain case	/R	04-	1 M96.79
3	996 105 192 71	gasket			2
4	900 378 022 09	hexagon-head bolt AM 8 X 25			1
5	900 067 276 02	pan-head screw M 8 X 35			4
6	900 067 247 02	pan-head screw M 8 X 30			5
7	900 219 006 02	screw plug M 12 X 1,5			1
8	900 123 116 30	sealing ring A 12 X 15,5			1
9	959 105 051 01	chain adjuster	/L		1
10	993 105 022 01	lid			2
11	996 105 172 70	gasket			2
12	959 105 052 01	chain adjuster	/R		1
13	900 378 030 09	hexagon-head bolt			4
14	901 101 145 00	dowel sleeve			4
15	999 707 229 40	o-ring 9,25 X 1,78			4
16	996 105 229 90	intermediate piece			2
17	996 105 513 72	gasket	/L		1
18	996 105 514 72	gasket	/R		1

Model	Year	MG	SG	Illustration	Restrictions	UPD	17:10	26.01.2010	PORSCHE	PET	PORSCHE
GT3-1	2005	1	03	103-10		248					

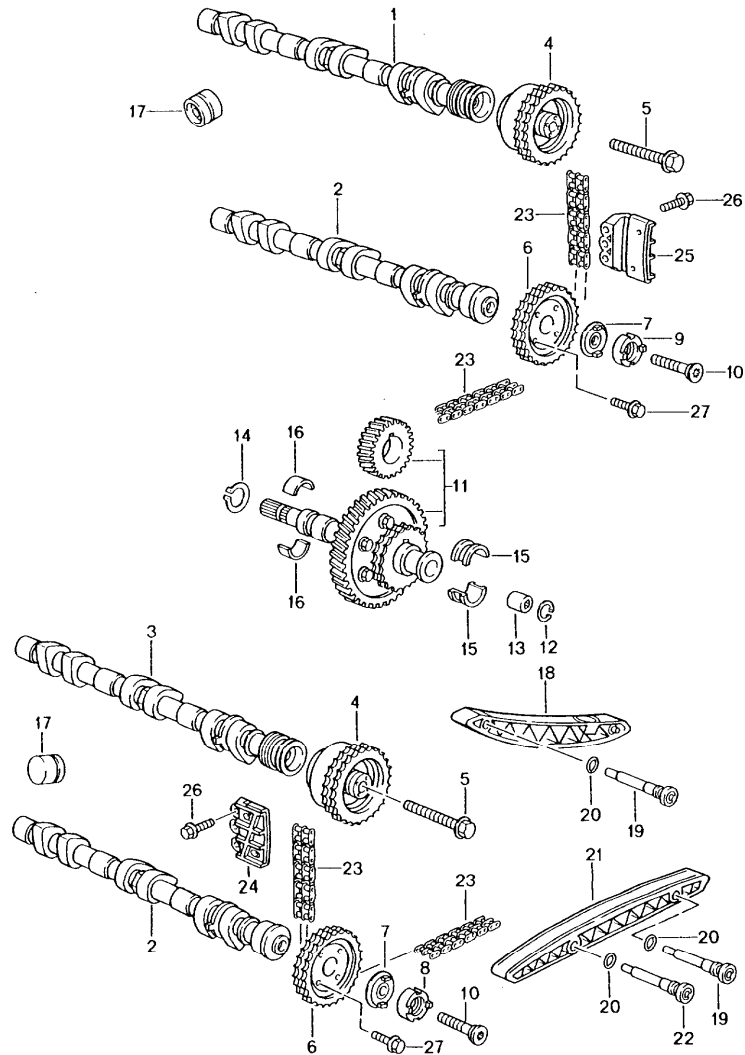


Pos	Part Number	Description	Remark	Qty	Model
		camshaft housing			M96.76/79
1	996 105 929 95	camshaft housing	/L	1	
(1)	996 105 929 91	camshaft housing	/L 04-	1	M96.79
(1)	996 105 930 95	camshaft housing	/R	1	
(1)	996 105 930 91	camshaft housing	/R 04-	1	M96.79
2	U 996 105 511 71	housing		12	
3	900 378 177 09	hexagon-head bolt AM 6 X 30		32	
4	944 104 361 00	dowel sleeve		24	
5	U 996 105 512 75	housing		2	
6	900 012 071 00	straight pin A 4,0 X 8		4	
7	996 105 233 72	Oil-conducting housing	/L	1	
(7)	996 105 234 72	Oil-conducting housing	/R	1	
8	900 067 051 02	pan-head screw M 5 X 10		6	
9	996 105 613 71	gasket		2	
10	900 378 174 09	hexagon-head bolt AM 6 X 35		22	
11	900 378 029 09	hexagon-head bolt M 6 X 40		6	
12	900 378 013 09	hexagon-head bolt AM 6 X 25		16	
13	900 378 151 09	hexagon-head bolt M 6 X 70		2	
(13)	900 378 234 09	hexagon-head bolt M 6 X 75		2	
14	U 900 378 007 09	hexagon-head bolt AM 8 X 50		36	
(14)	900 378 224 09	hexagon-head bolt AM 8 X 50		36	
15	996 104 426 73	heat shield		2	
16	900 378 036 09	hexagon-head bolt M 6 X 12		4	

Model	Year	MG	SG	Illustration	Restrictions	UPD	17:10	26.01.2010	PORSCHE	PET	PORSCHE
GT3-1	2005	1	03	103-10		248					

Pos	Part Number	Description	Remark	Qty	Model	Pos	Part Number	Description	Remark	Qty	Model
17	996 107 319 90	support	/R	1							
18	996 105 315 74	lid		2							
19	A 999 707 482 40	o-ring 90,00 X 2,50		2							
19	999 707 482 41	o-ring 90,00 X 2,5		2							
20	900 378 030 09	hexagon-head bolt M 6 X 20		6							
21	996 606 106 02	hall sender	00/01	2	M96.76						
(21)	996 606 106 03	hall sender	04-	2	M96.79						
22	900 067 117 09	pan-head screw M 6 X 16		2							
23	996 105 303 71	actuator		2							
24	999 707 504 40	o-ring 24 X 2,50		2							
25	---	lid matching with: camshaft housing		2							
26	996 105 329 70	lid		4							
27	477 971 881 A	retaining bracket		1							
--	999 511 239 40	cable holder		1							
28	999 707 404 40	o-ring 17,05 X 1,78		2							
--	996 607 117 00	support		1							
--	K 996 107 130 70	check valve for camshaft housing		2							
--	000 043 024 00	extreme-pressure grease 1 tube 80 Gr. for camshaft		1							

Model	Year	MG	SG	Illustration	Restrictions	UPD	17:10	26.01.2010	PORSCHE	PET	PORSCHE
GT3-1	2005	1	03	103-15		248					

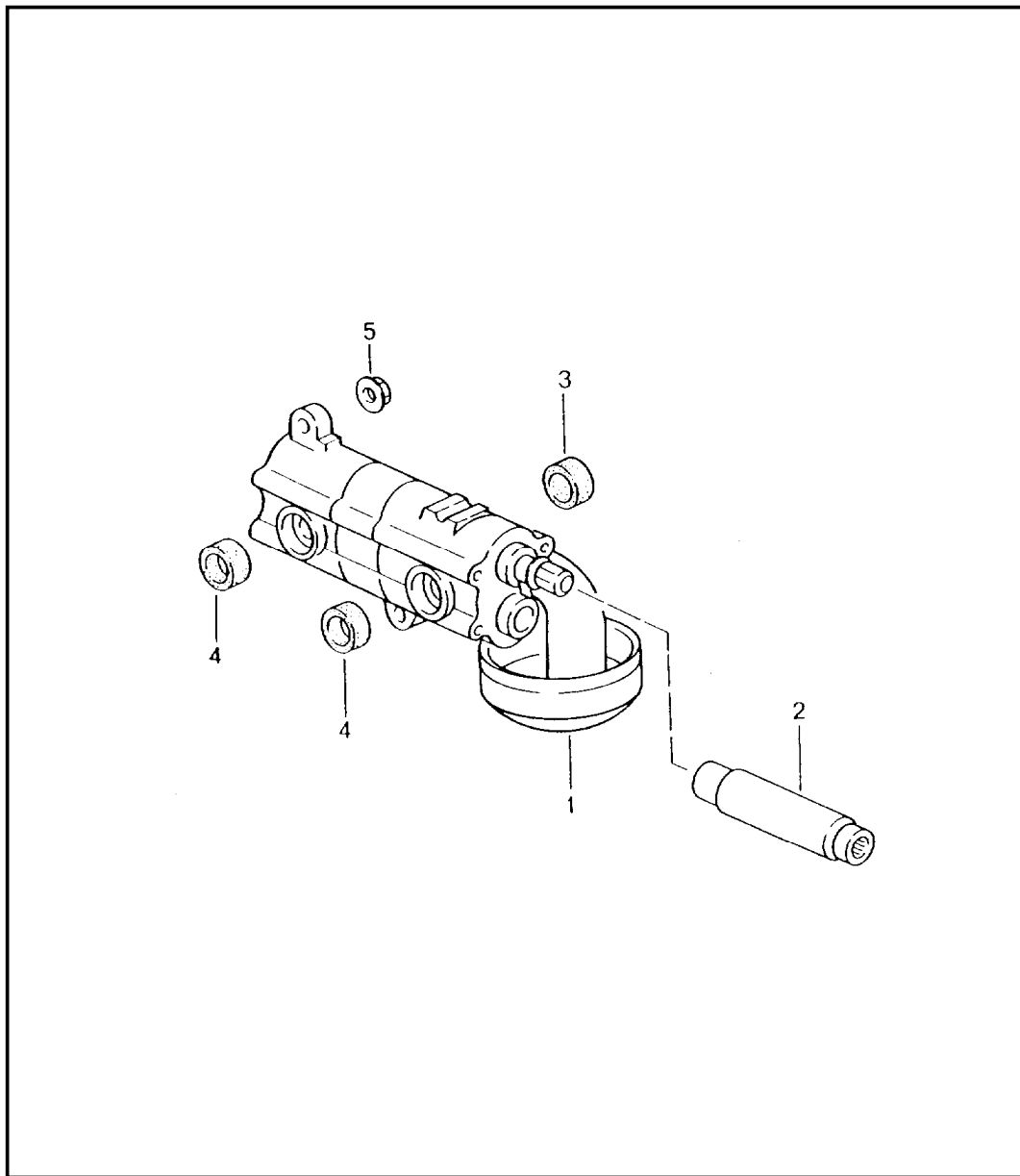


Pos	Part Number	Description	Remark	Qty	Model
		valve control			M96.76/79
1	U 996 105 214 98	camshaft		1	
1	996 105 009 98	camshaft intake cylinder 4-6		1	
1	996 105 236 95	camshaft intake cylinder 4-6	04-	1	M96.79
2	K 996 105 212 95	camshaft exhaust		2	
2	K 996 105 245 90	camshaft exhaust	04-	2	M96.79
3	U 996 105 214 99	camshaft intake cylinder 1-3		1	
3	996 105 009 99	camshaft intake cylinder 1-3		1	
3	996 105 235 95	camshaft cylinder intake 1-3	04-	1	M96.79
4	996 105 051 95	actuator		2	
4	996 105 051 96	actuator	04-	2	M96.79
5	996 105 551 90	hexagon socket head bolt M 12 X 1,5 X 85		2	
5	996 105 551 91	hexagon socket head bolt M 12 X 1,5 X 85	03-	2	
(6)	996 105 178 91	sprocket camshaft		1	
6	996 105 177 72	sprocket camshaft exhaust 1-3		1	
6	996 105 178 72	sprocket camshaft exhaust 4-6		1	

Model	Year	MG	SG	Illustration	Restrictions	UPD	17:10	26.01.2010	PORSCHE	PET	PORSCHE
GT3-1	2005	1	03	103-15		248					

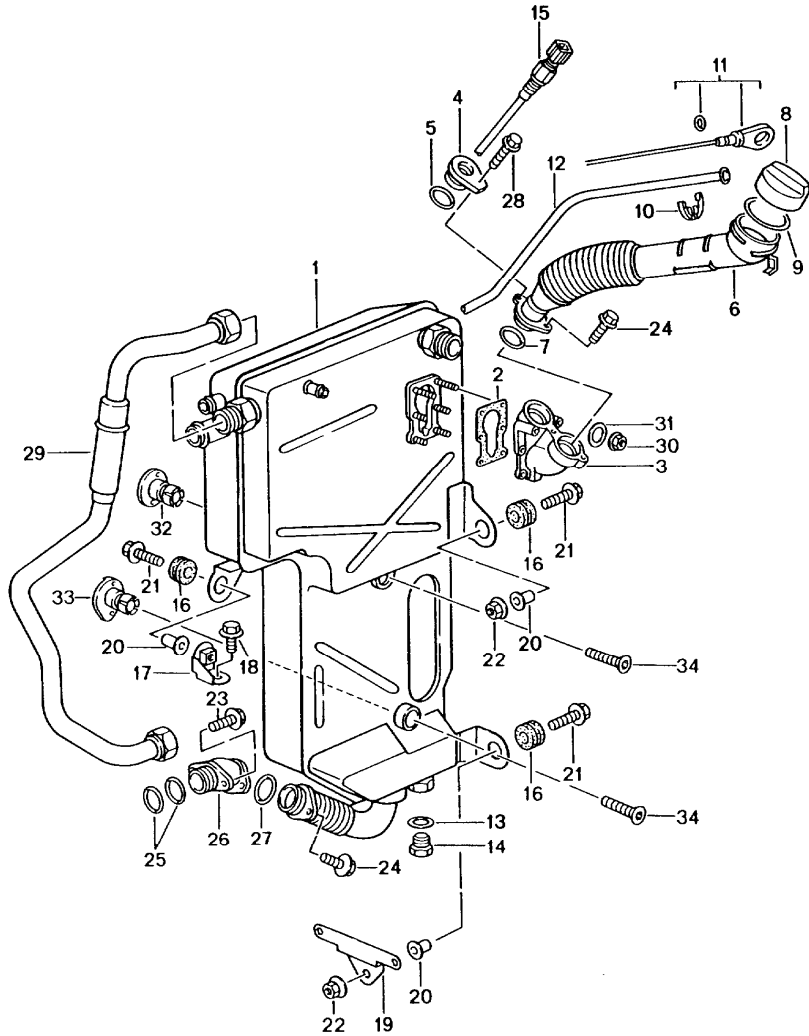
Pos	Part Number	Description	Remark	Qty	Model	Pos	Part Number	Description	Remark	Qty	Model
7	996 105 647 80	washer		2		(26) A	900 378 157 09	hexagon-head bolt AM 6 X 25		6	
8	959 105 161 00	drive plate		1		27	900 378 030 09	hexagon-head bolt M 6 X 20		8	
9	959 105 161 01	drive plate		1		28	996 105 280 90	ring		3	
10	996 105 313 90	hexagon socket head bolt		2		29	996 105 178 72	sprocket camshaft exhaust 4-6	04-	1	M96.79
11	959 105 911 90	intermediate shaft with timing gear size 0		1		--	000 043 024 00	extreme-pressure grease 1 tube 80 Gr. for camshaft		1	
11	959 105 911 12	intermediate shaft with timing gear size 1		1							
12	900 041 026 01	circlip 13 X 1		1							
13	901 105 275 00	stopper		1							
14	N 012 296 1	circlip 16 X 1		1							
15	996 101 137 80	bearing		2							
16	996 101 435 70	bearing shell		2							
17	K 996 105 041 91	hydraulic valve tappet		24	M96.76						
17	K 996 105 041 92	hydraulic valve tappet	04-	24	M96.79						
18	996 105 165 71	tensioner blade		2							
19	964 105 171 02	bolt		4							
20	A 900 123 131 30	sealing ring		6							
(20)	900 123 152 30	sealing ring		6							
21	996 105 167 70	guide rail	/L	1							
(21)	996 105 166 70	guide rail	/R	1							
22	959 105 175 01	bearing pin		2							
23	959 105 552 01	timing chain		2							
24	996 105 037 74	guide rail	/L	1							
25	996 105 038 74	guide rail	/R	1							
26	U 900 378 013 09	hexagon-head bolt AM 6 X 25		6							

Model	Year	MG	SG	Illustration	Restrictions	UPD	17:10	26.01.2010	PORSCHE	PET	PORSCHE
GT3-1	2005	1	04	104-00		248					



Pos	Part Number	Description	Remark	Qty	Model
		oil pump			M96.76/79
1	A 996 107 007 92	oil pump		1	
(1)	K 996 107 007 93	oil pump		1	
2	930 107 143 03	connecting shaft		1	
3	999 704 173 50	sealing ring 19,5 X 26		1	
4	999 704 172 50	sealing ring 16,3 X 22		2	
5	900 380 005 09	hexagon nut M 8		3	

Model	Year	MG	SG	Illustration	Restrictions	UPD	17:11	26.01.2010	PORSCHE	PET	PORSCHE
GT3-1	2005	1	04	104-05		248					

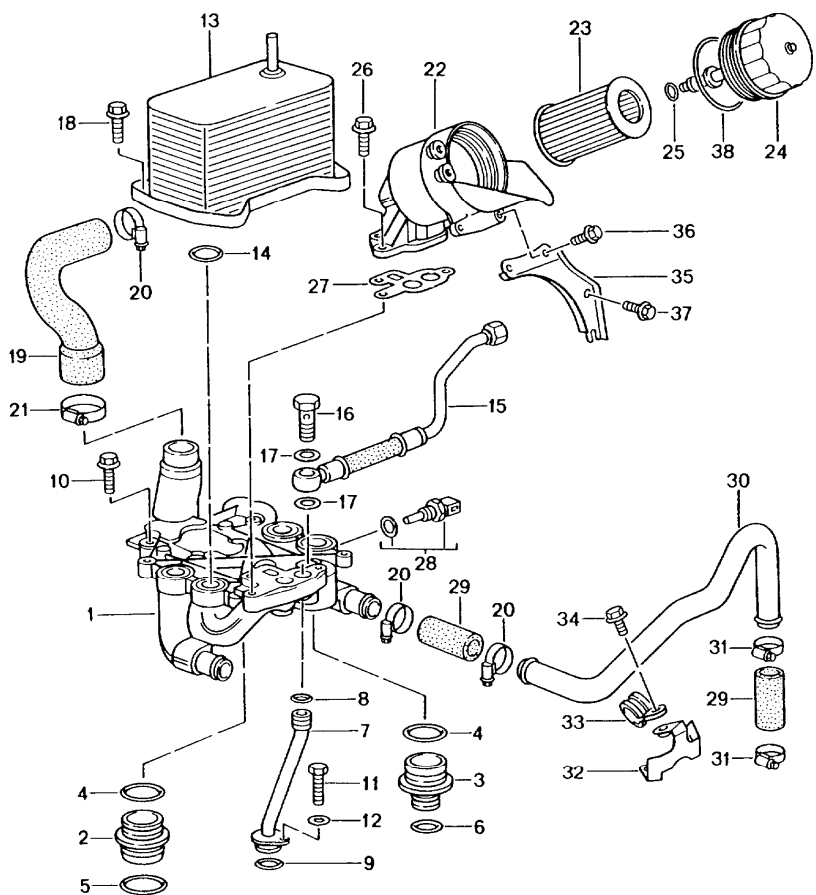


Pos	Part Number	Description	Remark	Qty	Model
		engine lubrication oil tank			M96.76/79
1	K 996 207 070 92	oil tank		1	
2	993 207 226 00	gasket		1	
3	996 207 150 72	intermediate piece		1	
4	996 207 212 70	flange		1	
5	999 707 343 40	o-ring 25,07 X 2,62		1	
(6)	996 207 016 70	filler tube with oil level dipstick mounting		1	
6	996 107 150 59	filler tube without oil level dipstick mounting		1	
7	U 900 174 058 40	round seal 25 X 3,15		1	
7	999 707 481 40	o-ring 24 X 3,0		1	
8	996 107 035 50	lid		1	
9	A 999 707 285 40	o-ring 51 X 4,5		1	
(9)	996 107 336 00	gasket		1	
10	996 207 233 71	retaining clip		1	
11	996 207 231 94	oil level dipstick		1	
12	996 207 031 90	guide tube		1	
13	U 996 207 195 90	sealing ring		1	
(13)	900 123 010 20	sealing ring 20 X 24		1	
14	944 107 197 01	screw plug		1	
(14)	900 065 018 00	screw plug M 20 X 1,5		1	
15	996 606 140 00	oil-level sender		1	
16	999 702 193 40	rubber sleeve 17,0 X 24,0 X 1,8		3	

Model	Year	MG	SG	Illustration	Restrictions	UPD	17:11	26.01.2010	PORSCHE	PET	PORSCHE
GT3-1	2005	1	04	104-05		248					

Pos	Part Number	Description	Remark	Qty	Model	Pos	Part Number	Description	Remark	Qty	Model
17	996 207 407 72	support		1		37	996 207 293 90	clamp mount filler tube		1	
18	900 378 074 09	hexagon-head bolt M 8 X 16		1							
19	996 207 417 73	support		1		38	900 377 010 09	hexagon nut M 6		1	
20	999 209 037 02	spacer sleeve 8,4 X 1,8		3							
21	900 378 108 09	hexagon-head bolt AM 8 X 35		3							
22	999 084 210 02	lock nut M 8		2							
23	900 378 017 09	hexagon-head bolt M 8 X 20		2							
24	900 378 035 01	hexagon-head bolt M 6 X 16		2							
25	999 707 316 40	o-ring 21,89 X 2,62		2							
26	996 207 112 72	intake connection		1							
27	999 707 364 40	sealing ring 30 X 2,5		1							
28	900 378 030 09	hexagon-head bolt M 6 X 20		1							
29	K 996 107 027 94	return line		1							
30	N 011 005 14	hexagon nut M 5		6							
31	N 011 556 2	washer 5,3 X 9,5 X 1		6							
32	996 207 207 71	spacer upper		1							
33	996 207 206 71	spacer lower		1							
34	900 249 061 09	countersunk-head screw M 12 X 40		2							
35	996 207 291 91	support filler tube		1							
36	900 378 036 09	hexagon-head bolt M 6 X 12		1							

Model	Year	MG	SG	Illustration	Restrictions	UPD	17:11	26.01.2010	PORSCHE	PET	PORSCHE
GT3-1	2005	1	04	104-10		248					

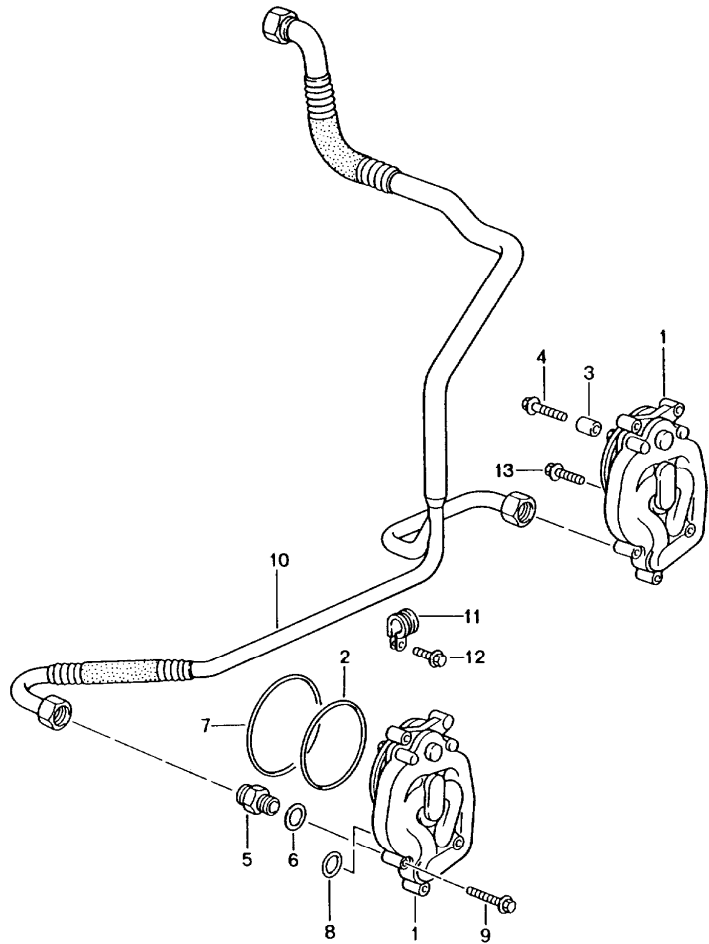


Pos	Part Number	Description	Remark	Qty	Model
		oil filter bracket			M96.76/79
1	K 996 107 033 91	bracket	00	1	
(1)	K 996 107 033 93	bracket	01-03	1	
(1)	A 996 107 033 95	bracket	04-	1	M96.79
(1)	K 996 107 033 96	bracket	04-	1	M96.79
2	996 107 441 71	joining socket		1	
3	996 107 451 72	joining socket		1	
4	999 707 422 40	o-ring 32,92 X 3,53		2	
5	999 707 426 40	o-ring 37,69 X 3,53		1	
6	999 707 113 40	round seal 20,22 X 3,53		1	
7	996 107 311 72	return pipe		1	
8	999 701 789 40	o-ring 12,00 X 2,00		1	
9	999 707 424 40	o-ring 17,04 X 3,53	00	1	
(9)	999 707 446 40	o-ring 18 X 2,5	01-	1	
10	900 075 341 02	combination screw M 6 X 25		4	
11	900 378 177 09	hexagon-head bolt M 6 X 30		1	
12	N 011 524 7	washer A 6,4		1	
13	996 107 025 71	heat exchanger		1	
14	999 707 409 40	o-ring 26,00 X 3,00		4	
15	K 996 107 477 90	oil pipe		1	
(15)	K 996 107 477 92	oil pipe	04-	1	M96.79
16	N 021 074 1	banjo bolt		1	
17	900 123 007 30	sealing ring A 14 X 18		2	

Model	Year	MG	SG	Illustration	Restrictions	UPD	17:11	26.01.2010	PORSCHE	PET	PORSCHE
GT3-1	2005	1	04	104-10		248					

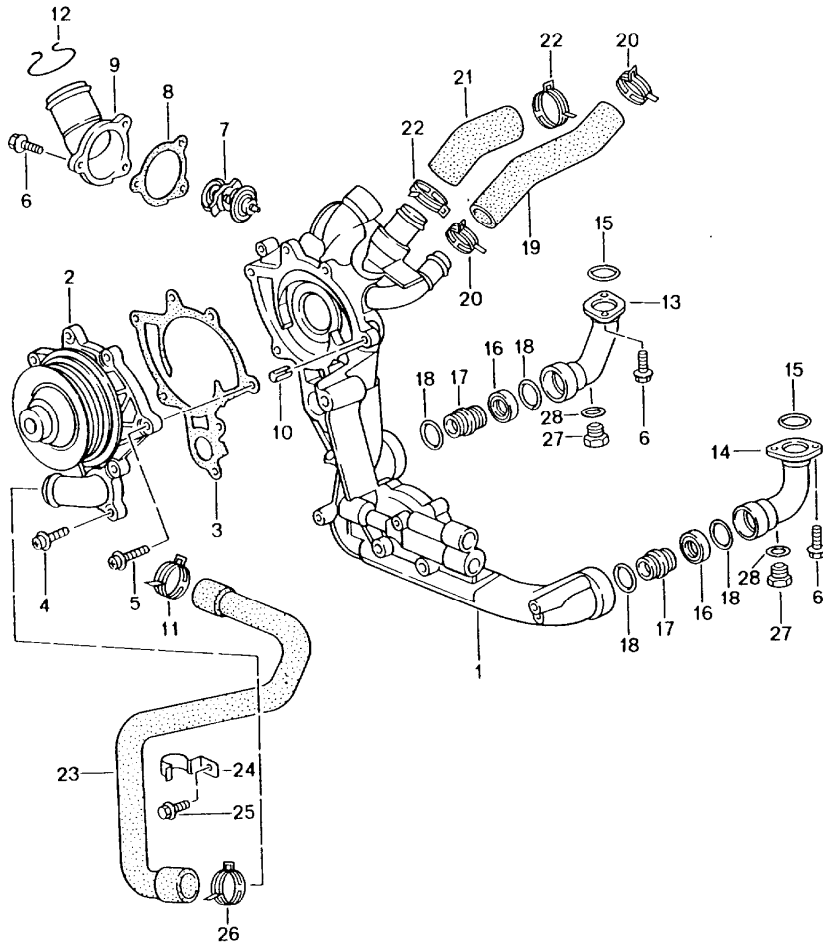
Pos	Part Number	Description	Remark	Qty	Model	Pos	Part Number	Description	Remark	Qty	Model
18	900 378 035 01	hexagon-head bolt M 6 X 16		4							
19	996 207 143 70	breather hose		1							
20	999 512 252 02	hose clamp 23 - 35/9		3							
21	999 512 348 02	hose clamp 40 - 60/9		1							
22	996 107 201 74	housing		1							
23	A 996 107 225 52	filter element		1							
23	996 107 225 53	filter element		1							
24	996 107 285 70	lid		1							
25	999 707 465 40	o-ring 10 X 2		1							
26	900 378 022 09	hexagon-head bolt AM 8 X 25		3							
27	996 107 217 70	gasket		1							
28	K 996 606 150 90	temperature sensor		1							
29	900 181 064 51	hose		2							
30	K 996 106 145 90	return pipe		1							
31	999 512 551 00	hose clamp 29 X 12		2							
32	K 996 106 273 91	support		1							
33	999 511 080 02	clamp		1							
34	900 378 036 09	hexagon-head bolt M 6 X 12		1							
35	996 107 301 72	support		1							
36	900 378 108 09	hexagon-head bolt AM 8 X 35		2							
37	900 378 013 09	hexagon-head bolt AM 6 X 25		2							
38	996 107 313 51	sealing ring		1							

Model	Year	MG	SG	Illustration	Restrictions	UPD	17:11	26.01.2010	PORSCHE	PET	PORSCHE
GT3-1	2005	1	04	104-20		248					



Pos	Part Number	Description	Remark	Qty	Model
		oil supply return line			M96.76/79
1	A 996 107 021 90	oil pump		2	
1	K 996 107 021 91	oil pump		2	
2	999 707 425 40	o-ring 85,32 X 3,53		2	
3	996 104 117 50	dowel sleeve		4	
4	900 378 177 09	hexagon-head bolt M 6 X 30		4	
5	900 915 006 02	union A 15		2	
6	900 123 106 30	sealing ring A 18 X 24		2	
7	A 999 707 482 40	o-ring 90,00 X 2,5		2	
7	999 707 482 41	o-ring 90,00 X 2,5		2	
8	999 707 427 40	o-ring 20,29 X 2,62		4	
9	900 378 174 09	hexagon-head bolt M 6 X 35		6	
10	K 996 107 019 92	return line		1	
11	A 999 511 155 02	clamp		1	
11	999 511 155 01	clamp		1	
12	900 378 036 09	hexagon-head bolt M 6 X 12		1	
13	900 378 013 09	hexagon-head bolt M 6 X 25		4	

Model	Year	MG	SG	Illustration	Restrictions	UPD	17:11	26.01.2010	PORSCHE	PET	PORSCHE
GT3-1	2005	1	05	105-00		248					

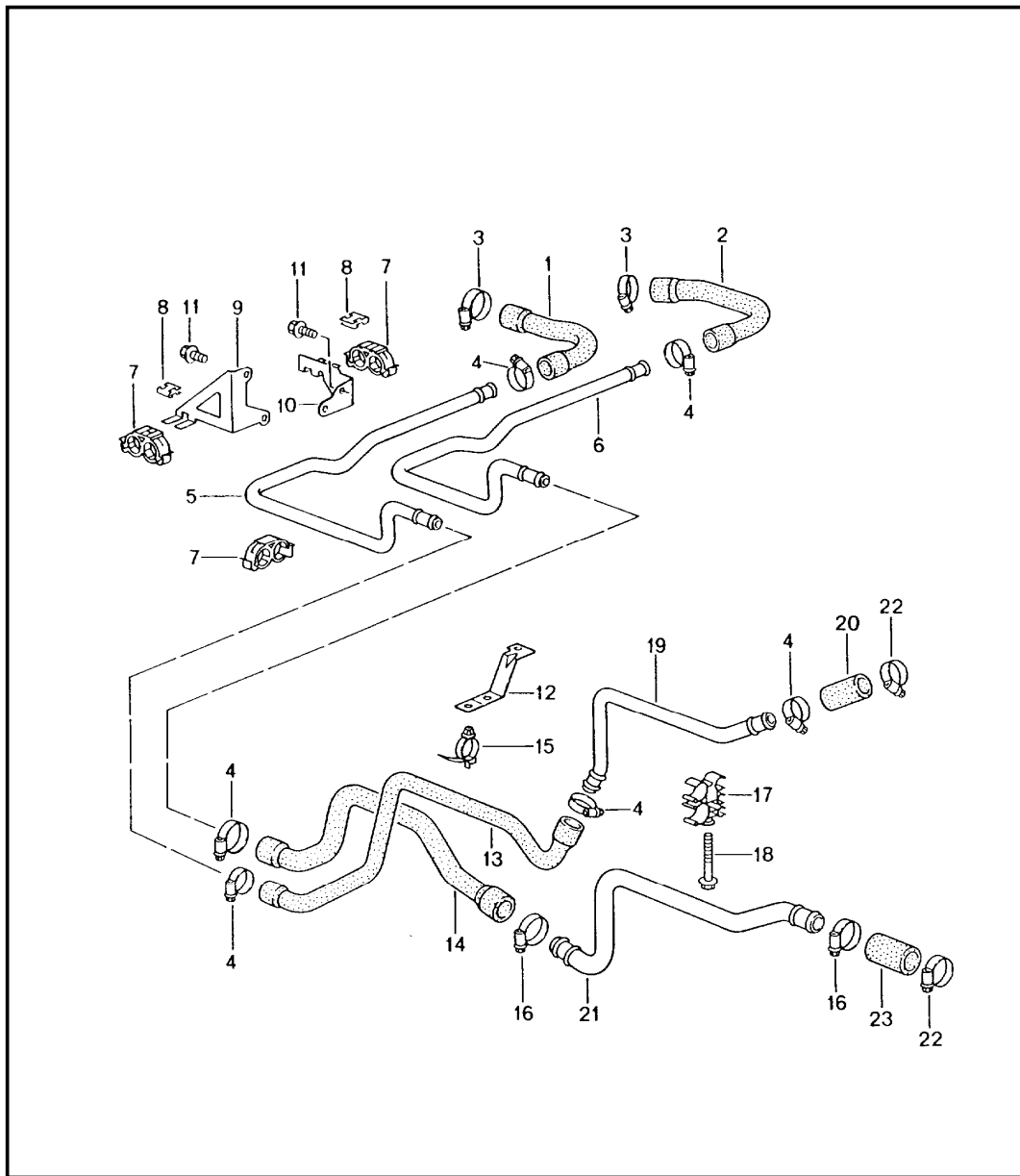


Pos	Part Number	Description	Remark	Qty	Model
		water pump			M96.76/79
		water pump housing			
1	996 106 061 70	water pump housing		00	1
(1)	996 106 061 74	water pump housing		01-	1
2	996 106 011 72	water pump			1
3	996 106 340 71	gasket			1
4	999 073 188 09	oval-head screw M 6 X 25			5
5	999 073 110 09	oval-head screw M 6 X 30			2
6	900 378 030 09	hexagon-head bolt M 6 X 20			7
7	996 106 125 52	thermostat insert		00	1
(7)	996 106 125 70	thermostat insert		01-	1
8	996 106 326 70	gasket			1
9	996 106 121 71	lid			1
10	996 106 103 50	dowel sleeve 8,2 X 7			2
11	999 512 356 02	hose clamp			1
12	996 106 802 10	retainer spring			1
13	996 106 139 71	connection piece			1
14	996 106 140 71	connection piece			1
15	999 707 410 40	o-ring 39,20 X 3,00			2
16	996 106 214 70	protective ring			2
17	996 106 238 71	joining socket			2
18	999 707 411 40	o-ring 28,00 X 4,50			4
19	996 106 477 73	hose			1
20	999 512 551 00	hose clamp 29 X 12			2
21	996 106 529 71	hose			1

Model	Year	MG	SG	Illustration	Restrictions	UPD	17:11	26.01.2010	PORSCHE	PET	PORSCHE
GT3-1	2005	1	05	105-00		248					

Pos	Part Number	Description	Remark	Qty	Model	Pos	Part Number	Description	Remark	Qty	Model
22	999 512 590 09	hose clamp 35 X 12		2							
23	996 106 250 72	hose		1							
24	996 106 550 70	support		1							
25	900 378 036 09	hexagon-head bolt M 6 X 12		1							
26	999 512 551 00	hose clamp 36 X 12		1							
27	900 219 007 02	screw plug M 10 X 1		2							
28	900 123 144 30	sealing ring A 10 X 13,5		2							

Model	Year	MG	SG	Illustration	Restrictions	UPD	17:11	26.01.2010	PORSCHE	PET	PORSCHE
GT3-1	2005	1	05	105-03		248					

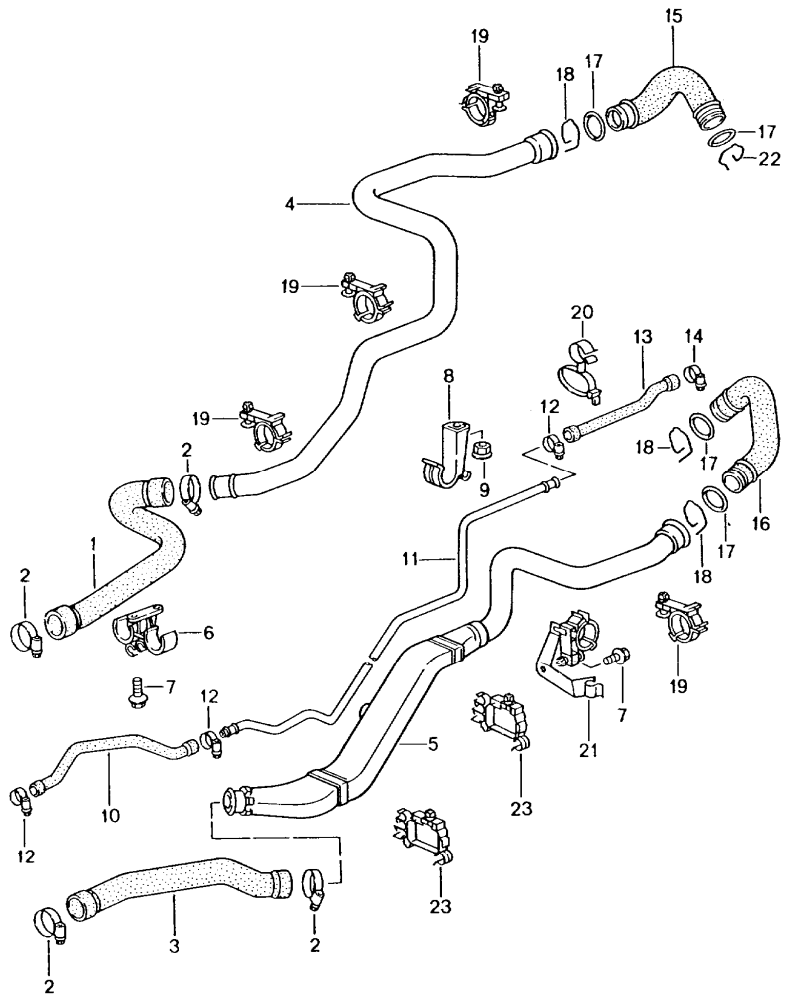


Pos	Part Number	Description	Remark	Qty	Model
		lines heating			M96.76/79
1	996 106 212 72	hose supply		1	
2	996 106 222 72	hose return line		1	
3	999 512 552 00	hose clamp 25 X 12		2	
(3)	999 512 356 02	hose clamp 25- 40/9	04-	2	M96.79
4	999 512 552 00	hose clamp 27 X 12		6	
5	996 106 312 72	water tube supply		1	
6	996 106 322 72	water tube return line		1	
7	999 507 700 41	hose holder 19		3	
8	999 507 701 02	u-clamp 2,75 - 3,00		4	
9	996 106 535 72	support	/L	1	
10	996 106 536 71	support	/R	1	
11	900 378 036 09	hexagon-head bolt M 6 X 12		4	
12	996 106 526 90	support		1	
13	996 106 434 72	hose supply		1	
14	996 106 424 72	hose return line		1	
(14)	996 106 422 75	hose return line	04-	1	M96.79
15	999 513 023 40	tie-wrap 15,0 - 40		2	
16	999 512 551 00	hose clamp 32 X 12		2	
(16)	999 512 356 02	hose clamp 25- 40/9	04-	2	M96.79

Model	Year	MG	SG	Illustration	Restrictions	UPD	17:11	26.01.2010	PORSCHE	PET	PORSCHE
GT3-1	2005	1	05	105-03		248					

Pos	Part Number	Description	Remark	Qty	Model	Pos	Part Number	Description	Remark	Qty	Model
17	996 106 455 71	support		2							
18	900 378 113 09	hexagon-head bolt M 6 X 45		2							
19	996 106 052 70	water tube supply		1							
--	999 511 744 40	spacer		1							
20	996 106 233 72	hose supply		1							
21	996 106 254 71	water tube return line		1							
22	999 512 356 02	hose clamp 25 - 40/9°		2							
23	996 106 512 72	hose return line		1							

Model	Year	MG	SG	Illustration	Restrictions	UPD	17:12	26.01.2010	PORSCHE	PET	PORSCHE
GT3-1	2005	1	05	105-05		248					

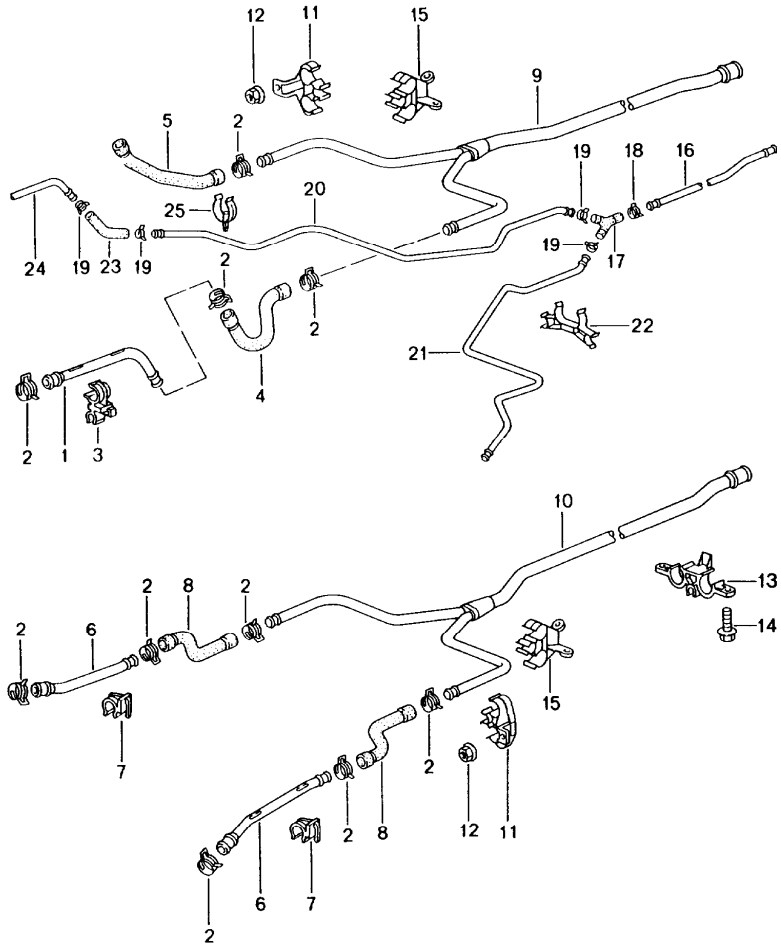


Pos	Part Number	Description	Remark	Qty	Model
		water cooling 1			M96.76/79
1	K 996 106 740 91	hose for water tube 996.106.610.71/73	-01	1	
(1)	996 106 740 93	hose for water tube 996.106.610.74	04-	1	
2	999 512 348 02	hose clamp 49 X12		4	
3	K 996 106 641 91	hose		1	
4	996 106 610 73	water tube use also: water hose 996.106.740.93	-01	1	
(4)	996 106 610 74	water tube	04-	1	
5	996 106 069 70	water tube		1	
6	996 106 475 51	support		1	
7	900 378 158 09	hexagon-head bolt M 6 X 16		2	
8	996 106 417 51	support		2	
9	900 377 010 09	hexagon nut M 6		2	
10	K 996 106 136 90	breather hose	00	1	
(10)	K 996 106 136 91	breather hose	01-	1	
11	996 106 681 74	vent line		1	
12	999 512 554 00	hose clamp 20 X 12		3	
13	996 106 251 71	breather hose		1	
14	999 512 552 00	hose clamp 25 X 12		1	
15	996 106 501 74	hose		1	
16	996 106 502 74	water hose		1	
17	996 106 801 03	o-ring		4	
18	996 106 802 11	retainer spring		3	

Model	Year	MG	SG	Illustration	Restrictions	UPD	17:12	26.01.2010	PORSCHE	PET	PORSCHE
GT3-1	2005	1	05	105-05		248					

Pos	Part Number	Description	Remark	Qty	Model	Pos	Part Number	Description	Remark	Qty	Model
19	U 996 106 421 51	support		2							
19	996 106 417 73	support		5							
20	999 511 237 40	hose holder 10-52/-18		2							
21	996 106 509 71	support		1							
22	996 106 802 10	retainer spring		1							
23	996 106 429 71	support		2							

Model	Year	MG	SG	Illustration	Restrictions	UPD	17:12	26.01.2010	PORSCHE	PET	PORSCHE
GT3-1	2005	1	05	105-10		248					

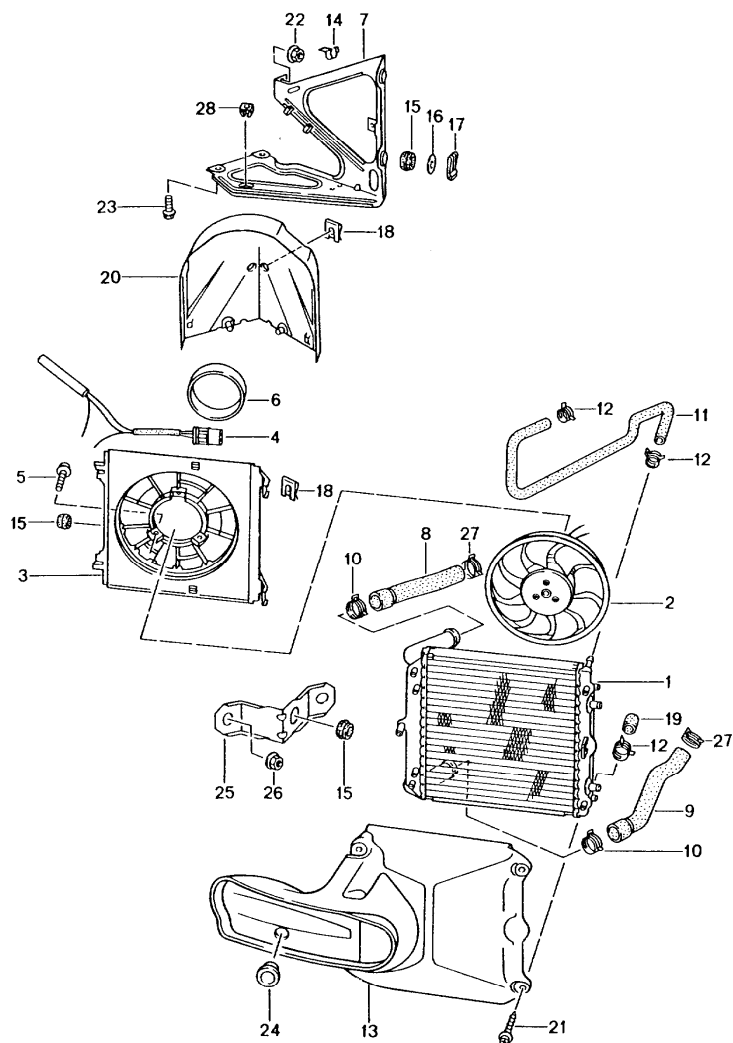


Pos	Part Number	Description	Remark	Qty	Model
		water cooling 2			M96.76/79
1	996 106 611 53	water tube supply		2	
2	999 512 499 00	hose clamp 32 - 50		12	
3	996 106 414 55	support		4	
4	996 106 623 53	water hose supply	/L	1	
5	996 106 624 53	water hose	/R	1	
6	996 106 615 54	water tube return line		2	
7	996 106 419 52	support		4	
8	996 106 627 52	water hose		2	
9	996 106 651 54	distributing piece supply		1	
10	996 106 652 54	distributing piece return line		1	
11	996 106 413 52	support		2	
12	999 084 629 09	hexagon nut M 6		2	
13	996 106 415 52	support		2	
14	900 378 035 01	hexagon-head bolt M 6 X 16		6	
15	996 106 420 52	support		2	
16	996 106 127 53	vent line		1	
17	996 106 546 54	y-piece		1	
17	996 106 546 55	y-piece		1	
18	999 512 554 00	hose clamp 12 - 22		1	
19	999 512 554 00	hose clamp 12 - 22		4	
20	996 106 126 54	vent line	/R	1	
21	996 106 225 54	vent line	/L	1	
22	996 106 412 51	support		1	

Model	Year	MG	SG	Illustration	Restrictions	UPD	17:12	26.01.2010	PORSCHE	PET	PORSCHE
GT3-1	2005	1	05	105-10		248					

Pos	Part Number	Description	Remark	Qty	Model	Pos	Part Number	Description	Remark	Qty	Model
23	996 106 135 52	breather hose		2							
24	996 106 685 53	vent line		2							

Model	Year	MG	SG	Illustration	Restrictions	UPD	17:12	26.01.2010	PORSCHE	PET	PORSCHE
GT3-1	2005	1	05	105-15		248					

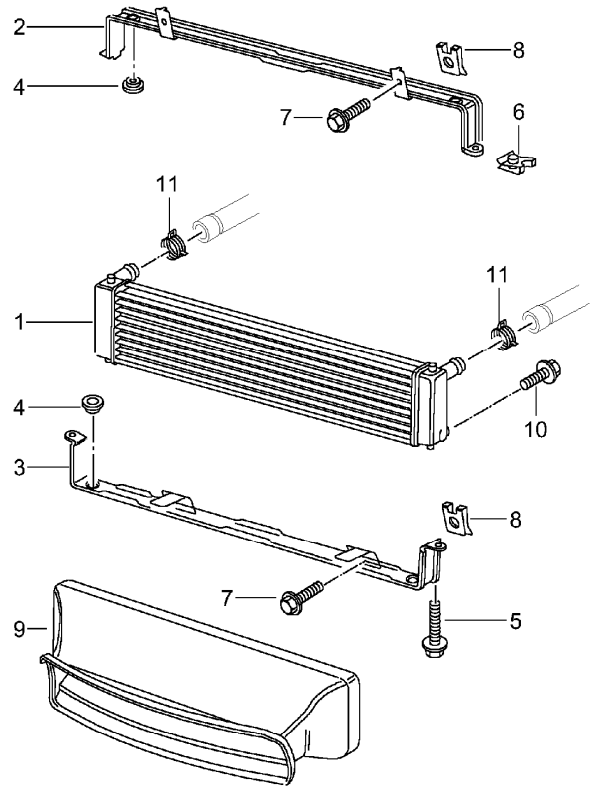


Pos	Part Number	Description	Remark	Qty	Model
		water cooling 3			M96.76/79
1	A 996 106 131 50	radiator		2	
(1)	996 106 131 51	radiator	/L	1	
(1)	996 106 132 51	radiator	/R	1	
2	996 624 135 00	fan		2	
3	996 624 131 00	air box		2	
4	996 616 101 00	series resistor		2	
5	900 146 116 09	screw M 5 X 16		6	
6	996 624 136 00	protection cap		2	
7	996 504 175 09	bracket	/L	1	
(7)	996 504 176 09	bracket	/R	1	
8	996 106 665 55	hose	/L	1	
(8)	996 106 622 52	hose	/R	1	
9	996 106 625 54	hose return line	/L	1	
(9)	996 106 666 52	hose return line	/R	1	
10	999 512 499 00	hose clamp 32 - 50		4	
11	996 106 137 53	breather hose	/L	1	
(11)	996 106 138 53	breather hose	/R	1	
12	999 512 585 09	hose clamp 15 X 12		6	
13	996 575 321 00	air duct	/L	1	
(13)	996 575 322 00	air duct	/R	1	
14	999 651 305 02	cable holder		2	
15	999 702 214 40	grommet 14 X 20,5 X 7,5		6	
16	999 025 255 02	washer		4	
17	999 166 083 09	tab washer B 25		4	

Model	Year	MG	SG	Illustration	Restrictions	UPD	17:12	26.01.2010	PORSCHE	PET	PORSCHE
GT3-1	2005	1	05	105-15		248					

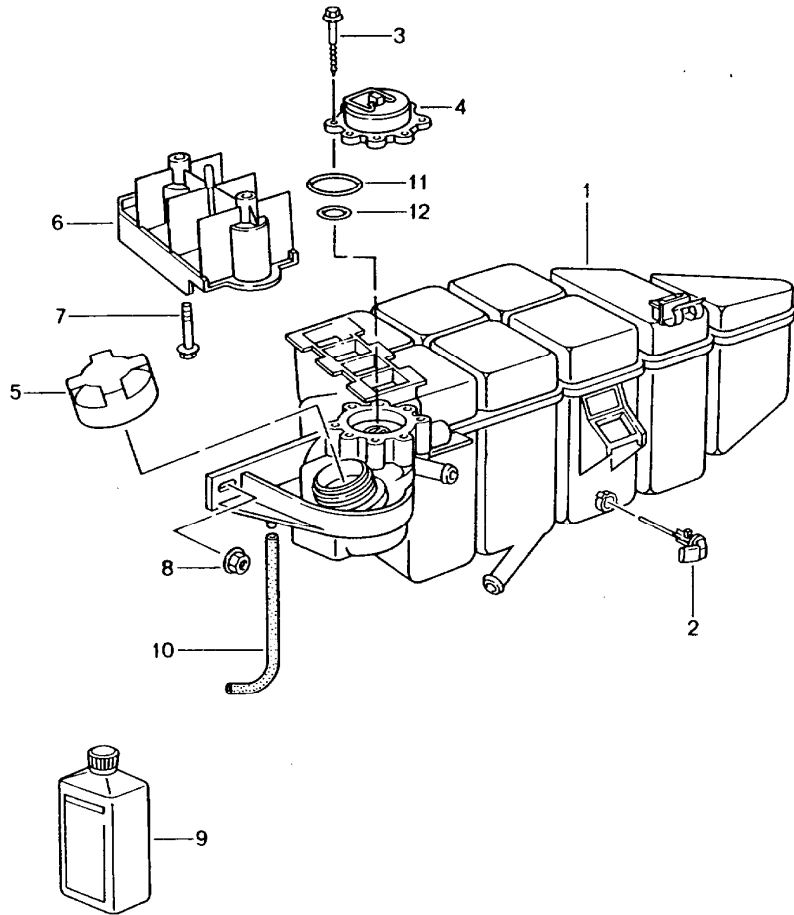
Pos	Part Number	Description	Remark	Qty	Model	Pos	Part Number	Description	Remark	Qty	Model
18	999 166 077 02	safety clip B 22		6							
19	996 106 334 00	rubber cap		2							
20	996 575 341 04	air duct	/L	1							
(20)	996 575 342 00	air duct	/R	1							
21	999 919 134 09	oval-head screw 6,0 X 16		14							
22	999 084 630 09	hexagon nut M 8		2							
23	900 378 074 09	hexagon-head bolt M 8 X 16		4							
24	999 702 214 40	grommet 14 X 20,5 X 7,5		2							
24	803 803 583	rubber sleeve 30,0 X 40,0	/R	1							
25	996 504 721 00	support		1							
	GRV	prime coated									
26	900 377 003 02	hexagon nut M 8		4							
27	999 512 552 00	hose clamp 28 X 12		2							
28	999 507 590 02	captive nut		1							

Model	Year	MG	SG	Illustration	Restrictions	UPD	17:12	26.01.2010	PORSCHE	PET	PORSCHE
GT3-1	2005	1	05	105-17		248					



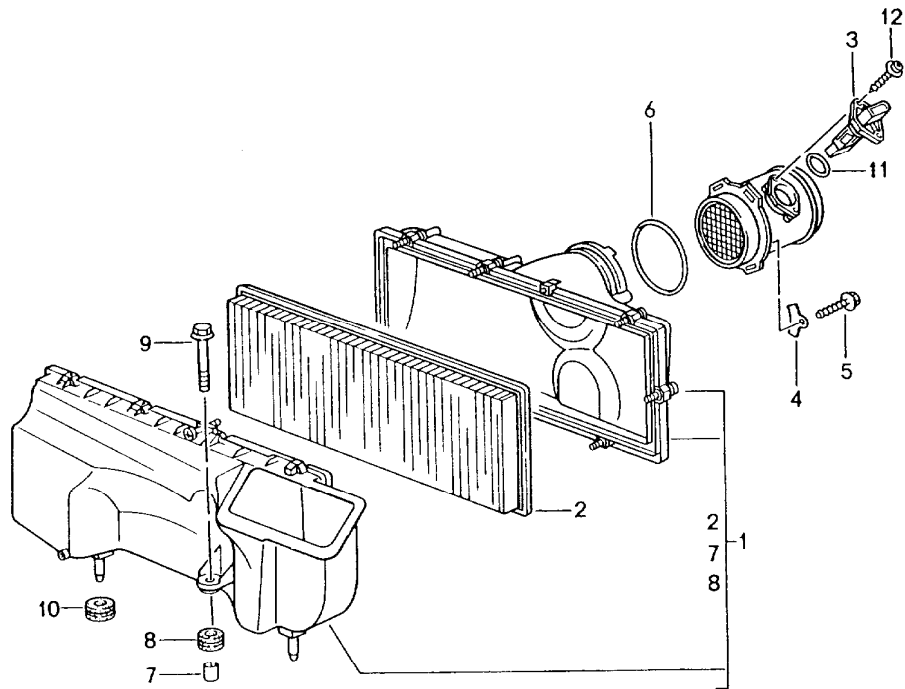
Pos	Part Number	Description	Remark	Qty	Model
		radiator centre			M96.76/79
1	996 106 037 51	radiator		1	
2	996 504 487 02	retaining frame		1	
3	996 504 485 02	retaining frame		1	
4	930 113 430 00	rubber mounting		4	
5	900 378 036 09	hexagon-head bolt M 6 X 12		2	
6	999 507 550 02	speed nut M 6		2	
7	900 378 074 09	hexagon-head bolt M 8 X 16		4	
8	999 591 869 02	speed nut M 8		4	
9	996 575 141 02	air duct		1	
10	996 106 901 00	screw plug		1	
11	999 512 551 00	hose clamp		2	

Model	Year	MG	SG	Illustration	Restrictions	UPD	17:12	26.01.2010	PORSCHE	PET	PORSCHE
GT3-1	2005	1	05	105-20		248					



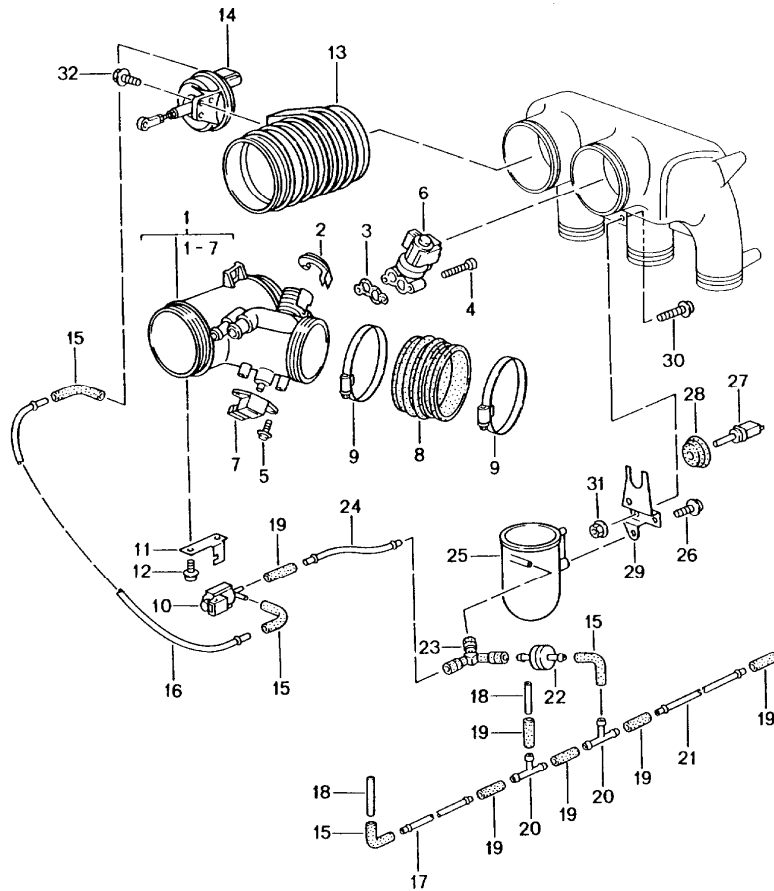
Pos	Part Number	Description	Remark	Qty	Model
		water cooling 4			M96.76/79
1	996 106 147 56	water reservoir	00	1	
1	996 106 157 03	water reservoir when required order also: support fuel filter see group 2/01/10		1	
2	996 641 503 00	switch		1	
3	999 919 058 02	hexagon-head bolt 5,0 X 40		8	
4	996 106 347 01	bleeder valve		1	
5	996 106 447 01	lid see technical manual group 1 Nr.190101		1	
6	996 106 405 70	support		1	
7	900 378 168 09	hexagon-head bolt M 6 X 30		2	
8	999 084 629 09	hexagon nut M 6		1	
9	000 043 203 78	antifreeze 1 LTR. container		X	
(9) A	000 043 203 79	antifreeze 25 LTR. container		X	
(9)	000 043 300 31	antifreeze 20 LTR. container		X	
10	996 106 297 00	hose		1	
11	999 707 370 40	o-ring 47 X 4		1	
12	999 707 371 40	o-ring 17 X 4		1	

Model	Year	MG	SG	Illustration	Restrictions	UPD	17:13	26.01.2010	PORSCHE	PET	PORSCHE
GT3-1	2005	1	06	106-00		248					



Pos	Part Number	Description	Remark	Qty	Model
		air cleaner			M96.76/79
1	996 110 021 90	air cleaner		1	
(1)	996 110 021 93	air cleaner	04-	1	M96.79
2	996 110 131 71	air cleaner cartridge		1	
3	K 996 606 124 95	mass air flow meter		1	
(3)	986 606 125 01	mass air flow meter	04-	1	M96.79
4	996 110 821 90	clamp		2	
5	999 919 085 02	combination screw 6,0 X 22		2	
6	999 707 052 40	o-ring 91 X 6		1	
7	900 095 099 02	roll pin 12,0 X 14		1	
8	999 702 246 40	grommet 12,0 X 17,0 X 3		1	
9	999 075 063 02	hexagon-head bolt M 6 X 34		1	
10	999 702 221 40	grommet 11,8 X 18,0 X 18		2	
11	986 606 925 00	o-ring		1	
12	999 919 160 07	oval-head screw		1	
--	996 110 321 90	pipe for mass air flow meter	04-	1	M96.79

Model	Year	MG	SG	Illustration	Restrictions	UPD	17:13	26.01.2010	PORSCHE	PET	PORSCHE
GT3-1	2005	1	07	107-00		248					

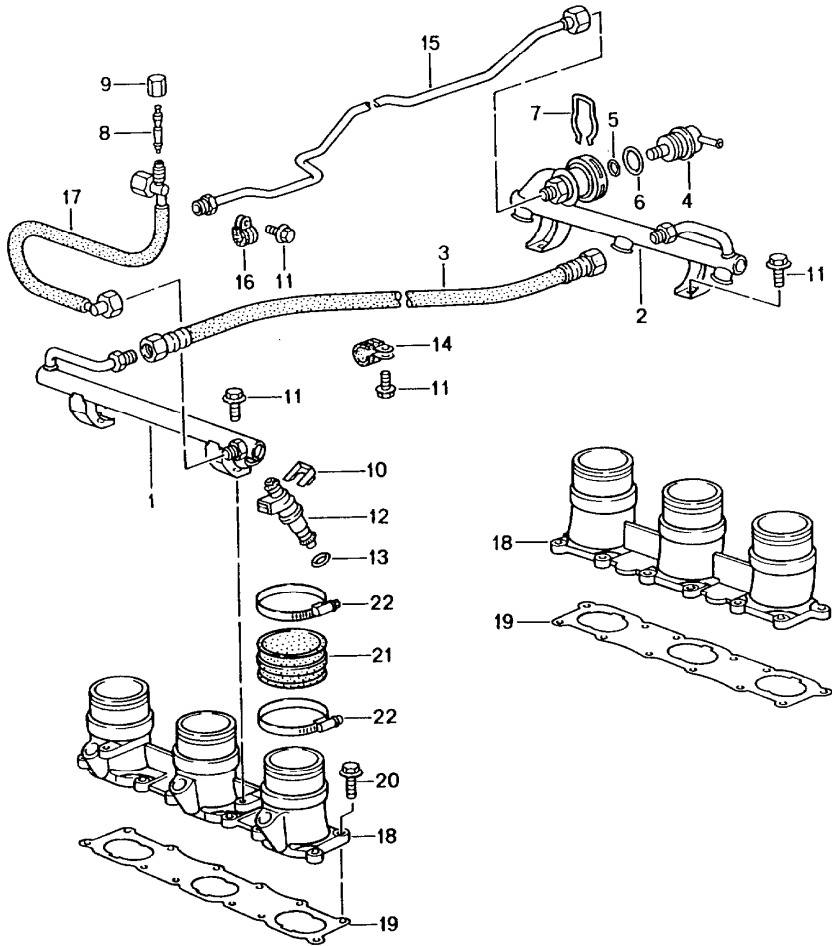


Pos	Part Number	Description	Remark	Qty	Model
		throttle body			M96.76/79
1	996 110 065 93	throttle body		1	M96.76
(1)	948 605 115 03	throttle body		1	M96.79
(1)	996 110 116 90	distributing piece		1	M96.79
-	996 110 319 90	gasket		1	M96.79
2	996 110 265 50	securing clip		1	
3	996 110 310 50	gasket		1	
4	996 110 965 00	pan-head screw M 6 X 32		2	
5	900 146 150 02	round head screw M 4 X 16		2	
6	996 606 160 01	idle-speed adjuster	-01	1	
7	996 606 116 00	throttle-valve switch		1	
8	996 110 621 90	air box		1	
8	996 110 621 92	air box	04-	1	M96.79
9	999 512 539 00	hose clamp 90 - 110/9		2	
9	999 512 539 01	hose clamp 90 - 110/9		2	
10	996 605 123 01	change-over valve		1	
11	996 110 515 92	support		1	
12	900 067 240 02	combination screw M 6 X 12		2	
13	996 110 120 53	resonance tube		1	
14	993 110 462 02	vacuum unit		1	
15	928 574 717 03	moulded hose		4	
16	999 181 380 40	pipe 4,0 X 1,0 280 MM		1	
17	999 181 392 40	pipe 4,0 X 1,0 140 MM		1	

Model	Year	MG	SG	Illustration	Restrictions	UPD	17:13	26.01.2010	PORSCHE	PET	PORSCHE
GT3-1	2005	1	07	107-00		248					

Pos	Part Number	Description	Remark	Qty	Model	Pos	Part Number	Description	Remark	Qty	Model
18	900 918 063 40	pipe 4,0 X 1,0 40 MM		2							
19	999 239 040 40	connecting piece		6							
20	999 137 004 40	t-socket		2							
21	900 918 052 40	pipe 4,0 X 1,0 270 MM		1							
22	964 110 950 01	check valve		1							
23	928 573 727 03	y-piece		1							
24	900 918 057 40	pipe 4,0 X 1,0 90 MM		1							
25	993 110 140 03	vacuum tank		1							
26	999 919 115 02	oval-head screw 5 X 12		1							
27	996 606 113 00	temperature sensor		1							
27	996 606 113 01	temperature sensor	04-	1	M96.79						
28	996 110 530 90	grommet		1							
29	996 110 628 92	retaining bracket		1							
30	900 067 207 02	hexagon-head bolt M 6 X 20		2							
31	900 377 010 09	hexagon nut M 6		2							
32	900 146 123 02	screw M 5 X 16		1							

Model	Year	MG	SG	Illustration	Restrictions	UPD	17:13	26.01.2010	PORSCHE	PET	PORSCHE
GT3-1	2005	1	07	107-05		248					

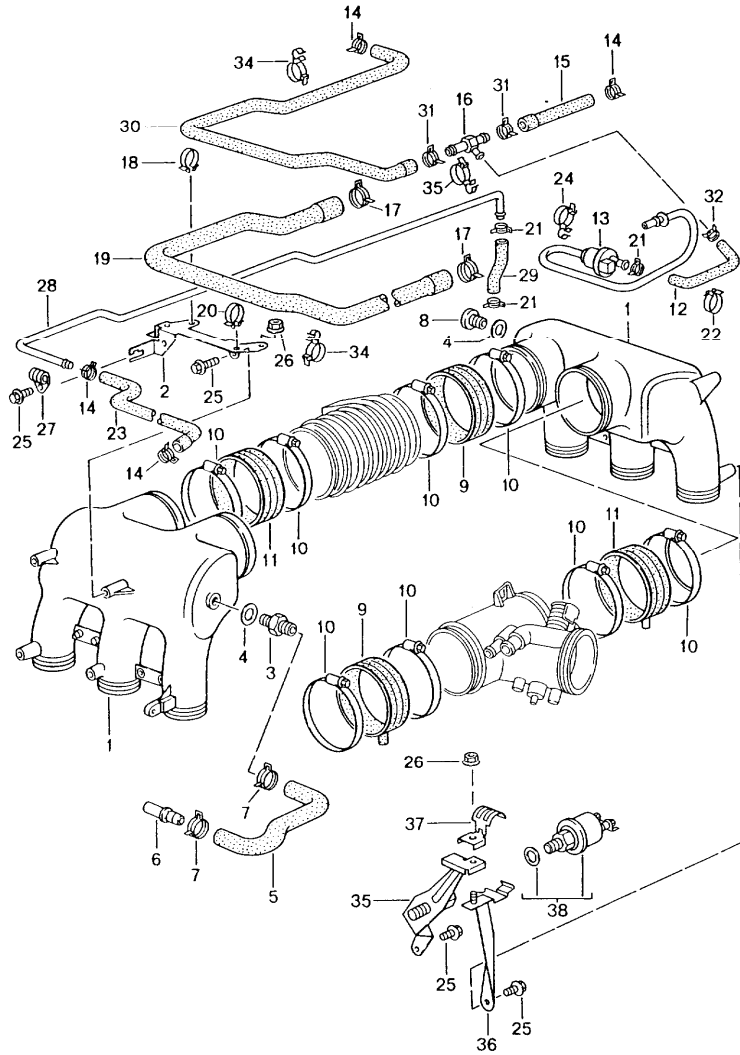


Pos	Part Number	Description	Remark	Qty	Model
		fuel collection pipe			M96.76/79
1	996 110 307 71	fuel collection pipe		1	
2	996 110 308 71	fuel collection pipe		1	
(2)	996 110 308 91	fuel collection pipe		1	
3	996 110 309 71	fuel hose		1	
4	993 110 199 00	pressure regulator		1	
5	999 707 276 40	o-ring 5 X 2,5		1	
6	999 707 277 40	o-ring 20 X 2,5		1	
7	993 110 196 00	retaining clip		1	
8	993 110 217 00	valve		1	
9	993 110 218 01	cap		1	
10	996 110 113 52	retaining clip		6	
11	900 378 036 09	hexagon-head bolt M 6 X 12		6	
11	900 378 035 01	hexagon-head bolt M 6 X 16	04-	6	M96.79
12	996 606 132 00	injector valve		6	
13	944 110 901 01	o-ring 7,52 X 3,53		12	
14	999 511 234 02	clamp 16 X 15		1	
15	996 110 323 91	return line		1	
(15) K	996 110 323 93	return line	04-	1	M96.79
16	999 511 116 02	clamp 10 X 15		1	
17	996 110 315 72	feed line		1	
18	996 110 101 92	intake manifold cylinder 1-3 / 4-6	02-	2	M96.76
(18)	996 110 101 93	intake manifold cylinder 1-3	04-	1	M96.79

Model	Year	MG	SG	Illustration	Restrictions	UPD	17:13	26.01.2010	PORSCHE	PET	PORSCHE
GT3-1	2005	1	07	107-05		248					

Pos	Part Number	Description	Remark	Qty	Model	Pos	Part Number	Description	Remark	Qty	Model
(18)	996 110 102 93	intake manifold cylinder 4-6	04-	1	M96.79						
19	996 110 103 90	gasket	-02	2	M96.76						
(19) K	996 110 103 91	gasket		2	M96.79						
20	900 378 030 09	hexagon-head bolt M 6 X 20		24							
21 K	996 110 687 90	rubber sleeve		6							
22	999 512 349 02	hose clamp 50 - 70/9		12							

Model	Year	MG	SG	Illustration	Restrictions	UPD	17:13	26.01.2010	PORSCHE	PET	PORSCHE
GT3-1	2005	1	07	107-10		248					

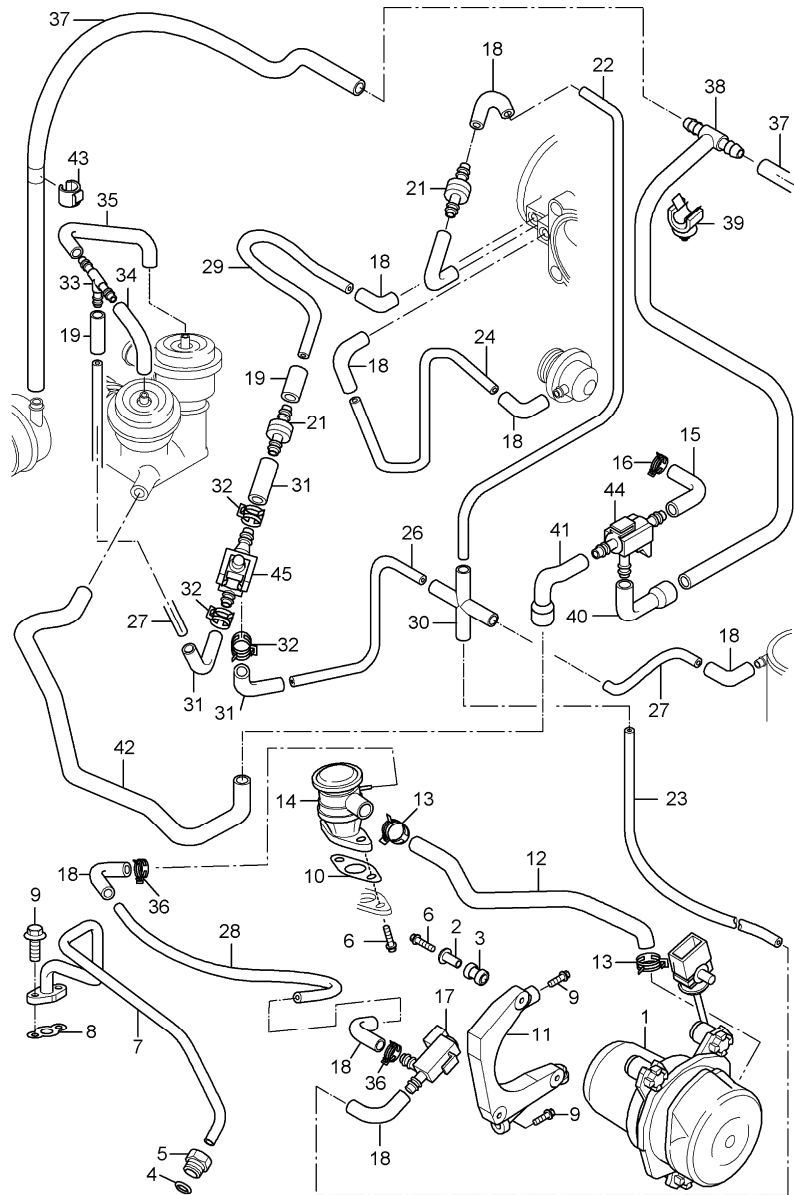


Pos	Part Number	Description	Remark	Qty	Model
		intake distributor			M96.76/79
1	K 996 110 619 95	intake distributor		2	M96.76
(1)	K 996 110 619 96	intake distributor		2	M96.79
2	996 110 677 90	support		1	
3	996 110 729 92	connection piece		1	
4	900 123 131 30	sealing ring A 16 X 20		2	
5	996 110 654 90	vacuum hose		1	
6	996 110 657 70	joining socket		1	
7	999 512 655 09	hose clamp 22 X 12		2	
(7)	999 512 602 09	hose clamp 24 X 12		2	M96.79
8	900 219 004 02	screw plug M 16 X 1,5		1	
9	996 110 686 50	rubber sleeve		2	
10	999 512 539 00	hose clamp 90 - 110/9		8	
10	999 512 539 01	hose clamp 90 - 110/9		8	
11	996 110 685 52	rubber sleeve		2	
12	996 110 127 90	vent line		1	
13	996 110 129 90	bleeder valve		1	
14	999 512 554 00	hose clamp 12 - 22/9		4	
15	996 207 141 90	breather hose		1	
16	996 207 325 90	t-socket		1	
17	999 512 346 00	hose clamp 16 - 27/9		2	
(17)	999 512 552 00	hose clamp B25 X 12		2	M96.79
18	999 651 267 40	hose holder 22 X 18,5		2	
19	996 207 137 91	breather hose		1	M96.76

Model	Year	MG	SG	Illustration	Restrictions	UPD	17:13	26.01.2010	PORSCHE	PET	PORSCHE
GT3-1	2005	1	07	107-10		248					

Pos	Part Number	Description	Remark	Qty	Model	Pos	Part Number	Description	Remark	Qty	Model
(19)	996 207 137 93	breather hose		1	M96.79	39	999 651 267 40	hose holder		1	
20	321 971 847 B	clip B 23,50		2		40	996 606 203 00	oil pressure switch		1	
21	999 512 427 02	hose clamp 8 - 16/9		3							
22	113 142 261 A	clip B 13,5		1							
23	K 996 106 531 91	breather hose		1	M96.76						
23	K 996 106 531 93	breather hose		1	M96.79						
24	999 507 644 40	hose holder 8-33/13		1							
25	900 378 036 09	hexagon-head bolt M 6 X 12		3							
26	900 377 010 09	hexagon nut M 6		1							
27	999 511 153 02	clip 8 X 15		1							
28	K 996 106 229 92	vent line		1	M96.76						
28	K 996 106 229 93	vent line		1	M96.79						
29	996 106 537 92	breather hose		1							
30	996 207 139 91	breather hose		1							
31	999 512 504 02	clamp 19,2 - 21,8		2							
32	999 512 279 02	clamp 12 - 14		1							
33	999 507 636 40	clip 10 - 52/8-9		2							
34	999 507 689 40	hose holder 20,0/24,5		1							
35	K 996 107 195 90	support		1	M96.76						
35	K 996 107 195 93	support		1	M96.79						
36	996 207 291 90	support		1							
37	996 207 293 90	clamp		1							
38	---	support		1							

Model	Year	MG	SG	Illustration	Restrictions	UPD	17:13	26.01.2010	PORSCHE	PET	PORSCHE
GT3-1	2005	1	08	108-05		248					

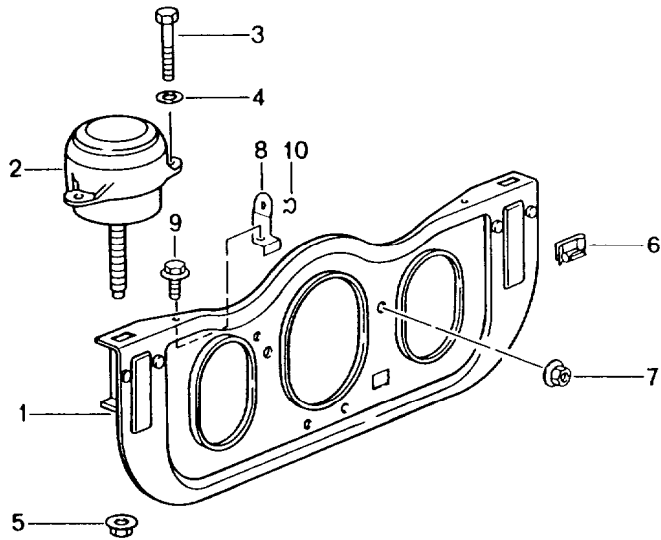


Pos	Part Number	Description	Remark	Qty	Model
		air injection	04-		M96.79
1	A 997 605 104 00	secondary pump		1	
(1)	997 605 104 02	secondary pump		1	
2	999 209 054 02	spacer sleeve 6,9 X 1,0 X 22		3	
3	999 703 481 40	rubber mounting 10 X 13,2		3	
4	900 102 011 02	cutting ring		1	
5	999 261 079 02	cap screw		1	
6	900 378 177 09	hexagon-head bolt M 6 X 30		5	
7	996 113 275 90	pipeline		1	
8	996 113 213 71	gasket		1	
9	900 378 030 09	hexagon-head bolt M 6 X 20		4	
10	993 113 258 51	gasket		1	
11	996 113 240 90	support		1	
12	996 113 255 90	air hose		1	
13	999 512 346 00	hose clamp 16 - 27/9		2	
14	A 996 113 249 01	shut-off valve		1	
14	996 113 249 02	shut-off valve		1	
15	996 110 649 71	moulded hose		1	
16	999 512 522 02	clamp 9.5 - 11.5		1	
17	996 605 123 01	change-over valve		1	
--	999 652 838 40	plug socket		1	
--	999 652 771 12	connector		2	
--	999 704 161 40	gasket		2	
18	928 574 717 03	moulded hose		9	
19	999 239 040 40	connecting piece		2	
21	964 110 950 01	check valve		2	

Model	Year	MG	SG	Illustration	Restrictions	UPD	17:13	26.01.2010	PORSCHE	PET	PORSCHE
GT3-1	2005	1	08	108-05		248					

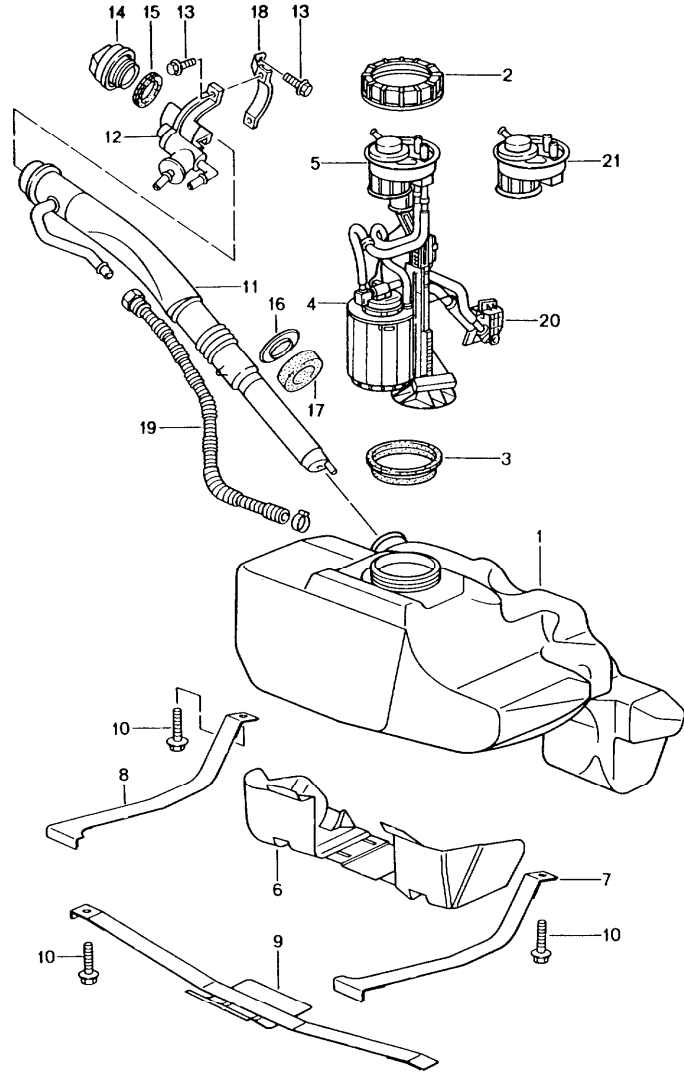
Pos	Part Number	Description	Remark	Qty	Model	Pos	Part Number	Description	Remark	Qty	Model
--	000 043 205 01	pipe 4 X 1,0		*							
22	-	230 MM		1							
23	-	140 MM		1							
24	-	460 MM		1							
--	900 918 005 40	pipe 5 X 1,0		*							
26	-	245 MM		1							
27	-	140 MM		2							
28	-	300 MM		1							
29	-	190 MM		1							
30	928 573 729 03	distributing piece		1							
31	A 996 110 695 70	moulded hose		3							
31	996 110 695 71	moulded hose		3							
32	999 512 622 02	clamp 11.8 - 13.8		3							
33	999 137 005 40	t-piece		1							
34	996 110 697 71	moulded hose		1							
35	996 110 697 72	moulded hose		1							
36	999 512 527 00	clamp 8.5 - 10.0		2							
--	900 926 019 40	hose		*							
37	-	780 MM		2							
38	996 110 656 70	control line		1							
39	999 507 544 40	cable holder		1							
40	996 110 666 70	moulded hose		1							
41	996 110 658 70	moulded hose		1							
42	996 110 650 71	vent line		1							
43	999 507 658 09	cable holder		2							
44	996 605 155 00	cycle valve		1							
45	996 605 165 00	change-over valve		1							

Model	Year	MG	SG	Illustration	Restrictions	UPD	17:14	26.01.2010	PORSCHE	PET	PORSCHE
GT3-1	2005	1	09	109-00		248					



Pos	Part Number	Description	Remark	Qty	Model
		engine suspension			M96.76/79
1	996 375 013 00	engine carrier		1	
2	996 375 049 90	engine mounting		2	
(2)	996 375 049 91	engine mounting		2	
3	900 378 056 02	hexagon-head bolt AM 8 X 60		12	
4	999 025 134 02	washer 8,4 X 21 3,0		4	
5	999 084 215 09	hexagon nut V M 12 X 1,5		2	
6	999 591 746 02	terminal 7,0 9,065		2	
7	900 377 011 09	hexagon nut M 10		4	
8	996 106 293 91	support		2	
9	900 378 036 09	hexagon-head bolt M 6 X 12		1	
10	999 511 080 02	clamp 22 X 15		1	
--	996 375 221 01	adapter		2	

Model	Year	MG	SG	Illustration	Restrictions	UPD	17:14	26.01.2010	PORSCHE	PET	PORSCHE
GT3-1	2005	2	01	201-00		248					

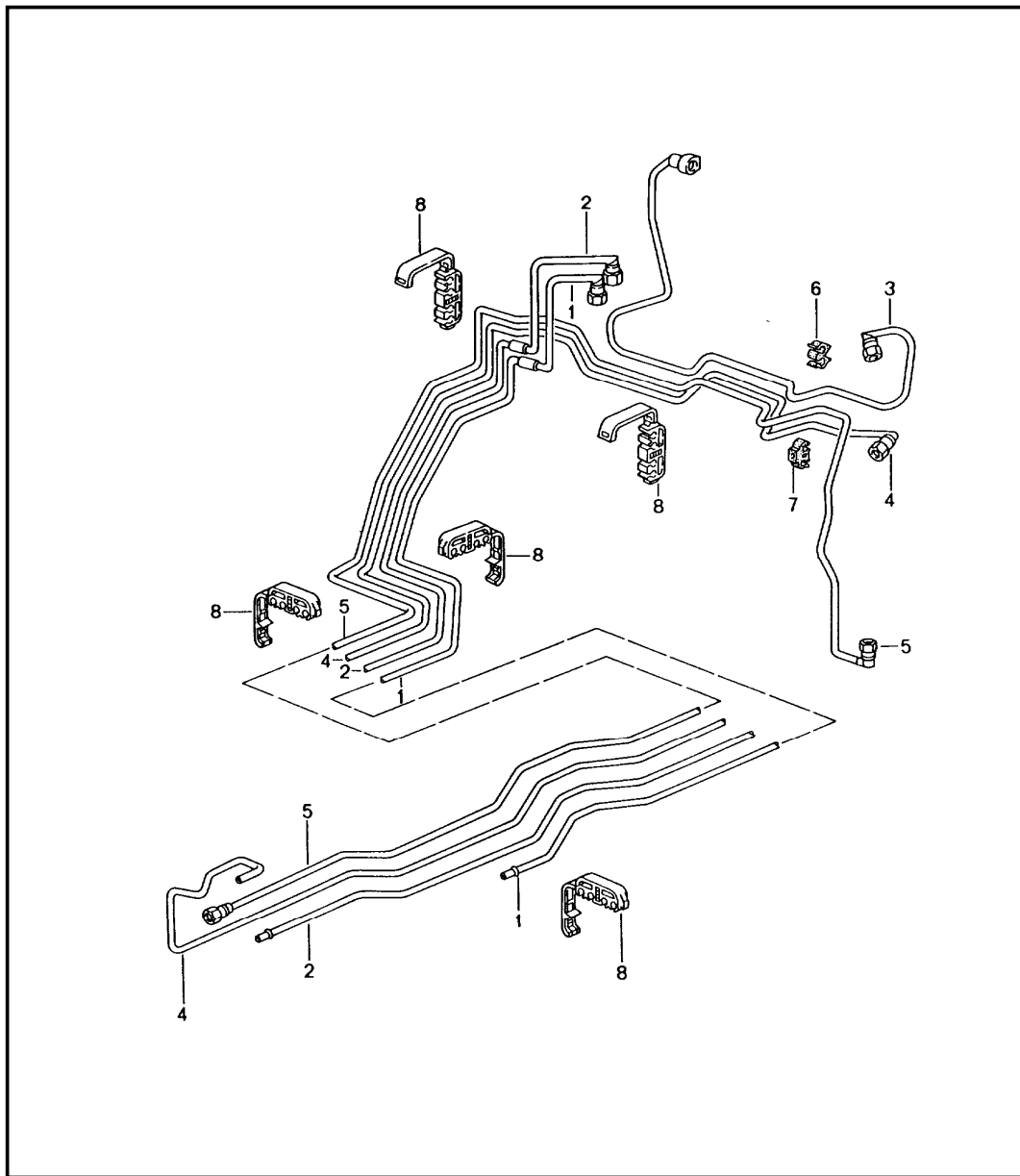


Pos	Part Number	Description	Remark	Qty	Model
		fuel tank			
1	996 201 021 90	fuel tank	/LL	1	
(1)	996 201 022 90	fuel tank	/RL	1	
2	996 201 623 00	union nut		1	
3	321 919 133	sealing ring		1	
4	996 620 103 90	fuel pump		1	
(4) A	996 620 057 90	fuel pump	04-	1	
(4) U	996 620 057 91	fuel pump	04-	1	
(4)	996 620 057 92	fuel pump	04-	1	
5	996 620 808 00	tank gauge	/RL	1	
(5)	996 620 801 90	tank gauge	/LL	1	
6	996 201 331 01	protective plate	/LL	1	
(6)	996 201 331 03	protective plate	/RL	1	
7	996 201 105 02	restraining strap	/LL	1	
7	996 201 105 03	restraining strap	/RL	1	
8	996 201 106 02	restraining strap	/LL	1	
8	996 201 106 03	restraining strap	/RL	1	
9	996 201 107 90	restraining strap	/LL	1	
9	996 201 108 00	restraining strap	/RL	1	
10	900 075 479 09	combination screw M 8 X 40		4	
11	996 201 043 03	filler neck	/LL	1	
11	996 201 043 04	filler neck	/LL	1	M150/193
11	996 201 043 10	filler neck	/RL	1	M150/193
12	996 201 143 01	bleeder valve		1	
13	900 378 036 09	hexagon-head bolt M 6 X 12		3	
14	996 201 241 03	fuel tank cap		1	
15	191 201 557	gasket		1	
16	996 201 755 00	support washer		1	

Model	Year	MG	SG	Illustration	Restrictions	UPD	17:14	26.01.2010	PORSCHE	PET	PORSCHE
GT3-1	2005	2	01	201-00		248					

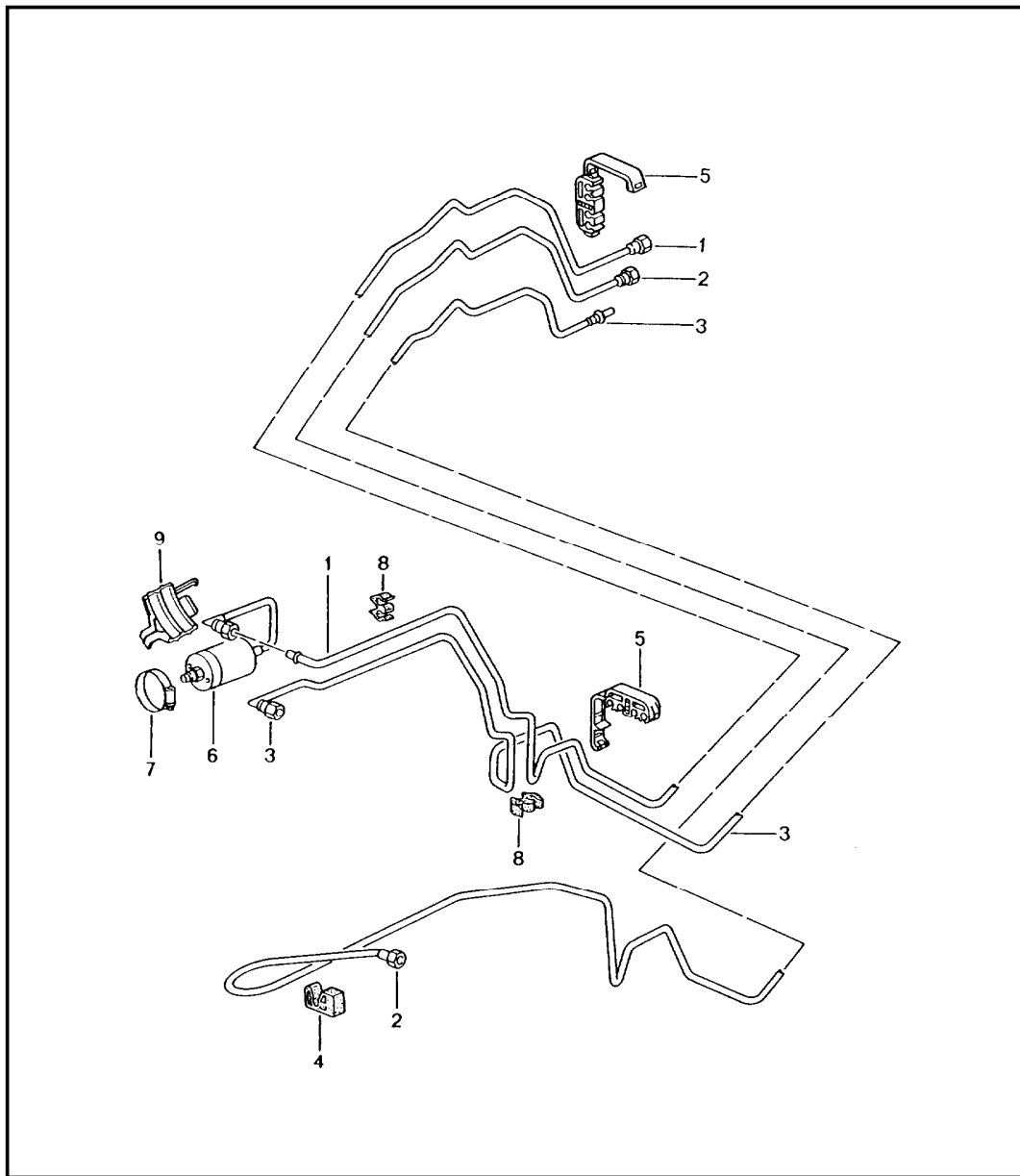
Pos	Part Number	Description	Remark	Qty	Model	Pos	Part Number	Description	Remark	Qty	Model
17	996 201 753 00	gasket		1							
18	996 201 751 00	support		1							
19	996 201 613 00	breather hose		1							
20	996 620 113 90	venturi tube		1							
21	996 620 841 90	display specimen	/LL	1							

Model	Year	MG	SG	Illustration	Restrictions	UPD	17:14	26.01.2010	PORSCHE	PET	PORSCHE
GT3-1	2005	2	01	201-05		248					



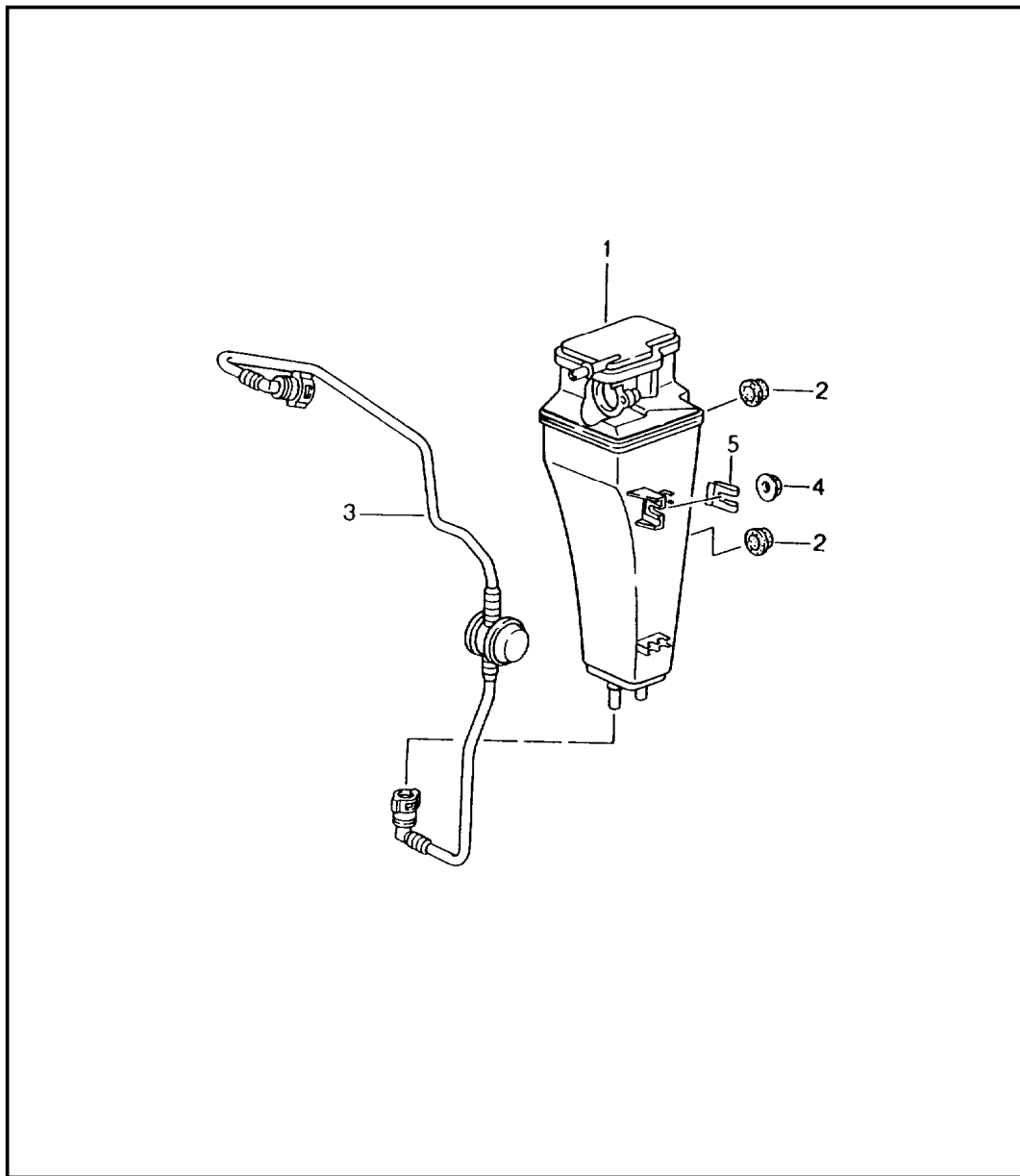
Pos	Part Number	Description	Remark	Qty	Model
		fuel system front			
1	996 201 261 90	pressure line		1	
2	996 201 271 00	return line		1	
3	996 201 251 90	vent line		1	
4	996 201 361 02	air tube		1	
5	996 201 351 00	air tube		1	
6	999 507 488 40	cable holder		1	
7	999 507 487 40	cable holder		1	
8	999 507 554 40	cable holder		8	

Model	Year	MG	SG	Illustration	Restrictions	UPD	17:14	26.01.2010	PORSCHE	PET	PORSCHE
GT3-1	2005	2	01	201-10		248					



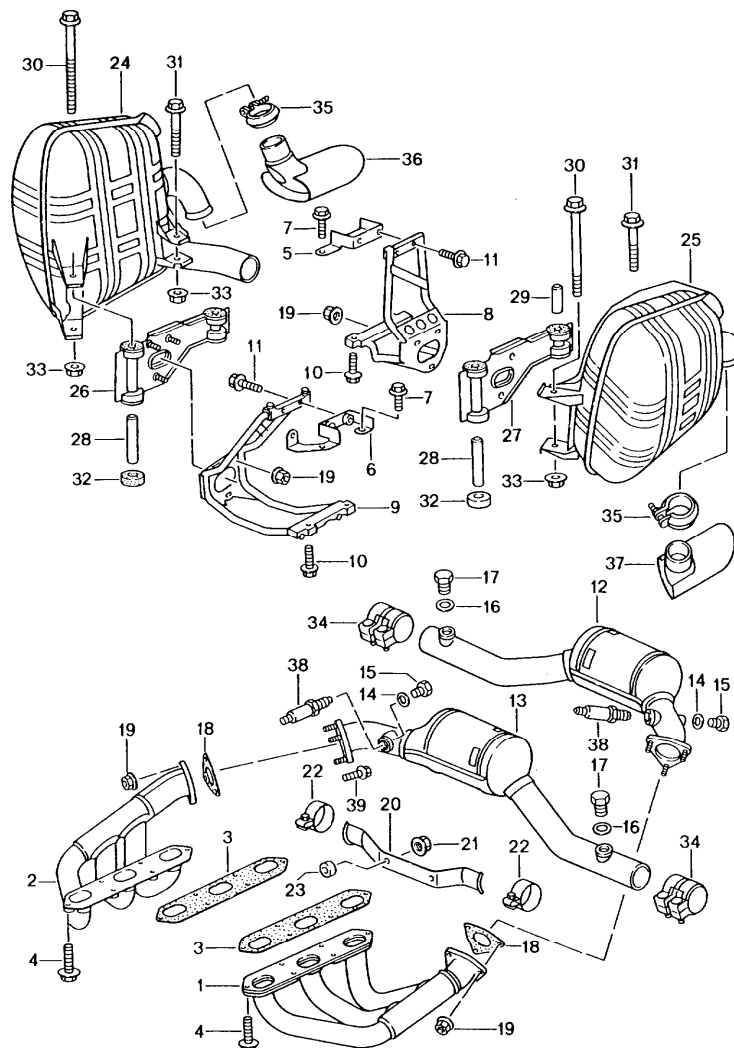
Pos	Part Number	Description	Remark	Qty	Model
		fuel system rear			
1	996 201 265 02	pressure line		1	
2	996 201 275 01	return line	00	1	
(2)	996 201 275 03	fuel line	01-	1	
3	996 201 355 01	air tube		1	
4	999 591 922 40	support		2	
5	999 507 521 40	cable holder		2	
6	996 110 253 52	fuel filter		1	
7	999 512 390 00	hose clamp 60 - 80/13		1	
8	999 507 488 40	cable holder		3	
9	996 110 257 03	support	00-	1	

Model	Year	MG	SG	Illustration	Restrictions	UPD	17:14	26.01.2010	PORSCHE	PET	PORSCHE
GT3-1	2005	2	01	201-20		248					



Pos	Part Number	Description	Remark	Qty	Model
		carbon canister			
1	996 201 221 09	carbon canister		1	
2	999 702 221 40	grommet		2	
3	996 201 251 05	vent line		1	
4	999 084 629 09	hexagon nut M 6		1	
5	999 507 543 02	clamp 2,00 - 3,00		1	

Model	Year	MG	SG	Illustration	Restrictions	UPD	17:15	26.01.2010	PORSCHE	PET	PORSCHE
GT3-1	2005	2	02	202-00		248					

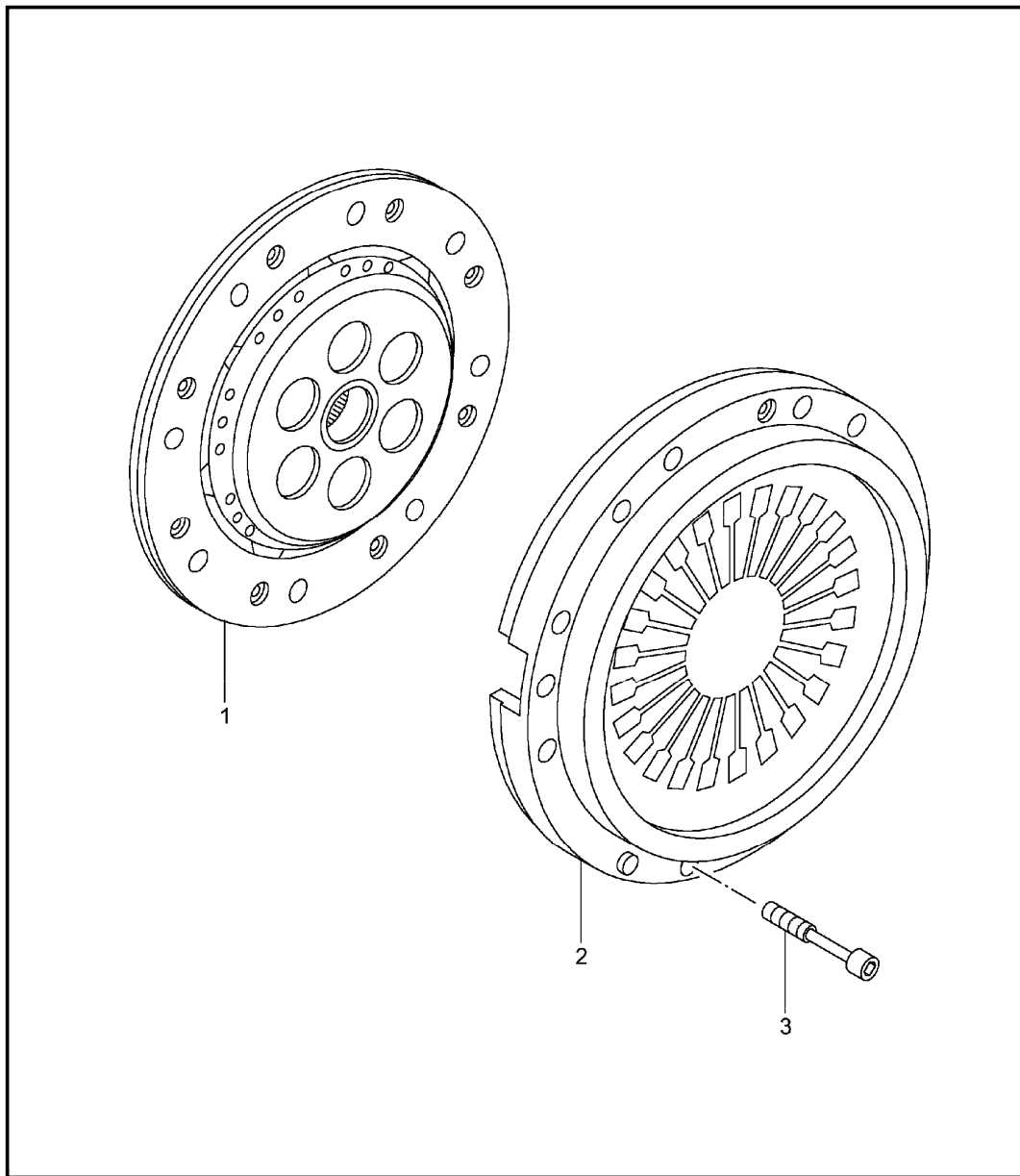


Pos	Part Number	Description	Remark	Qty	Model
		exhaust system			M96.76/79
1	K 996 111 101 93	exhaust manifold cyl. 1 - 3	/L	1	
2	K 996 111 102 93	exhaust manifold cyl. 4 - 6	/R	1	
3	996 111 107 71	gasket		2	
4	900 378 131 00	hexagon-head bolt M 8 X 28		18	
5	996 111 117 90	retaining bar	/L	1	
6	996 111 118 90	retaining bar	/R	1	
7	900 378 022 09	hexagon-head bolt M 8 X 25		8	
8	996 111 127 91	support cyl. 1 - 3	/L	1	M96.76
8	996 111 127 93	support cyl. 1 - 3	/L	1	M96.79
9	996 111 128 90	support cyl. 4 - 6	/R	1	M96.76
9	996 111 128 93	support cyl. 4 - 6	/R	1	M96.79
10	900 378 033 09	hexagon-head bolt AM 8 X 30		4	
12	996 113 021 93	catalytic converter cyl. 1 - 3	/L	1	M96.76
(12)	996 113 021 97	catalytic converter cyl. 1 - 3	/L	1	M96.79
13	996 113 022 93	catalytic converter cyl. 4 - 6	/R	1	M96.76
(13)	996 113 022 97	catalytic converter cyl. 4 - 6	/R	1	M96.79
14	900 123 005 20	sealing ring A 8 X 11,5		2	
15	900 083 080 00	hexagon-head bolt 8 X 1 X 10		2	
(15)	900 124 021 05	screw plug CM 8 X 1		2	M96.79

Model	Year	MG	SG	Illustration	Restrictions	UPD	17:15	26.01.2010	PORSCHE	PET	PORSCHE
GT3-1	2005	2	02	202-00		248					

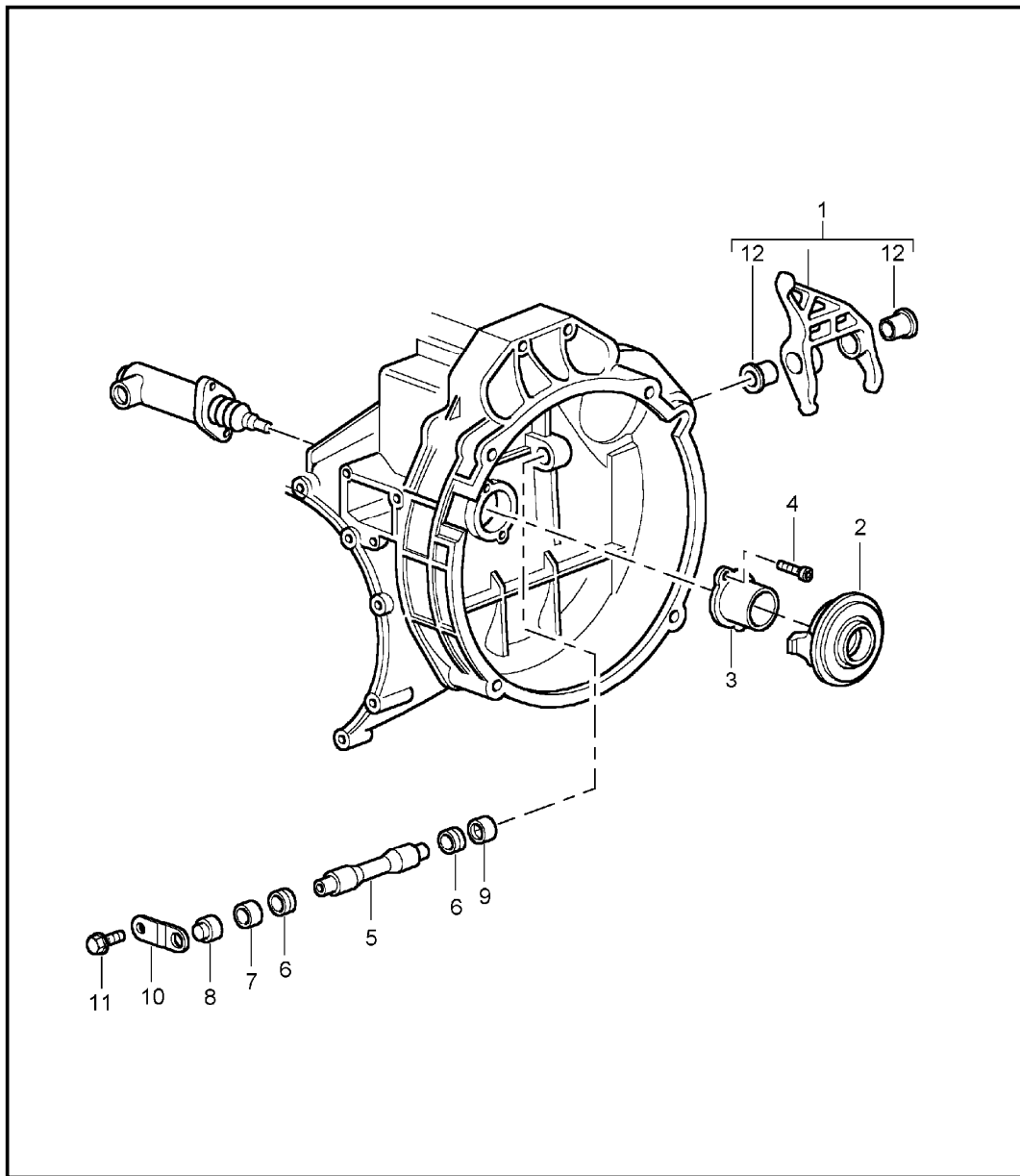
Pos	Part Number	Description	Remark	Qty	Model	Pos	Part Number	Description	Remark	Qty	Model
16	900 123 009 20	sealing ring A 18 X 24		2		32	996 111 229 00	damping piece		8	
17	900 219 015 00	screw plug M 18 X 24		2		33	900 380 005 09	hexagon nut M 8		4	
18	996 111 113 50	gasket		2		34	996 111 220 01	clamping sleeve		2	
19	999 084 052 02	lock nut M 8		12		35	996 111 108 00	clip		2	
20	996 113 123 91	support		1		36	996 111 251 55	tail pipe cyl. 4 - 6	/R	1	
21	900 380 008 09	hexagon nut M 10		2		(36)	996 111 054 04	tail pipe cyl. 4 - 6	/R	1	M96.79
22	999 511 087 00	pipe clamp 58,5		2		37	996 111 252 55	tail pipe cyl. 1 - 3	/L	1	
23	996 113 313 90	spacer		2		(37)	996 111 053 04	tail pipe cyl. 1 - 3	/L	1	M96.79
24	996 111 121 90	muffler cyl. 4 - 6	/R	1	M96.76	38 U	993 606 128 01	oxygen sensor		2	
(24)	996 111 121 91	muffler cyl. 4 - 6	/R	1	M96.79	(38)	993 606 116 01	oxygen sensor		2	M96.76
(24)	996 111 121 93	muffler cyl. 4 - 6	/R (J)	1	M96.79	(38)	996 606 168 01	oxygen sensor in front of catalytic converter		2	M96.79
25	996 111 122 90	muffler cyl. 1 - 3	/L	1	M96.76	(38)	996 606 178 01	oxygen sensor after catalytic converter		2	M96.79
(25)	996 111 122 91	muffler cyl. 1 - 3	/L	1	M96.79	39	900 074 287 02	hexagon-head bolt M 8 X 35		6	
(25)	996 111 122 93	muffler cyl. 1 - 3	/L (J)	1	M96.79	--	000 043 207 07	grease for oxygen sensor		1	
26	996 111 228 02	support cyl. 4 - 6	/R	1		--	986 606 136 00	protective tube for oxygen sensor		2	
27	996 111 227 02	support cyl. 1 - 3	/L	1							
28	996 111 230 00	spacer sleeve long		2							
29	996 111 231 00	spacer sleeve short		2							
30	900 378 183 09	hexagon-head bolt M 8 X 140		2							
31	900 378 105 09	hexagon-head bolt M 8 X 70		2							

Model	Year	MG	SG	Illustration	Restrictions	UPD	17:15	26.01.2010	PORSCHE	PET	PORSCHE
GT3-1	2005	3	01	301-00		248					



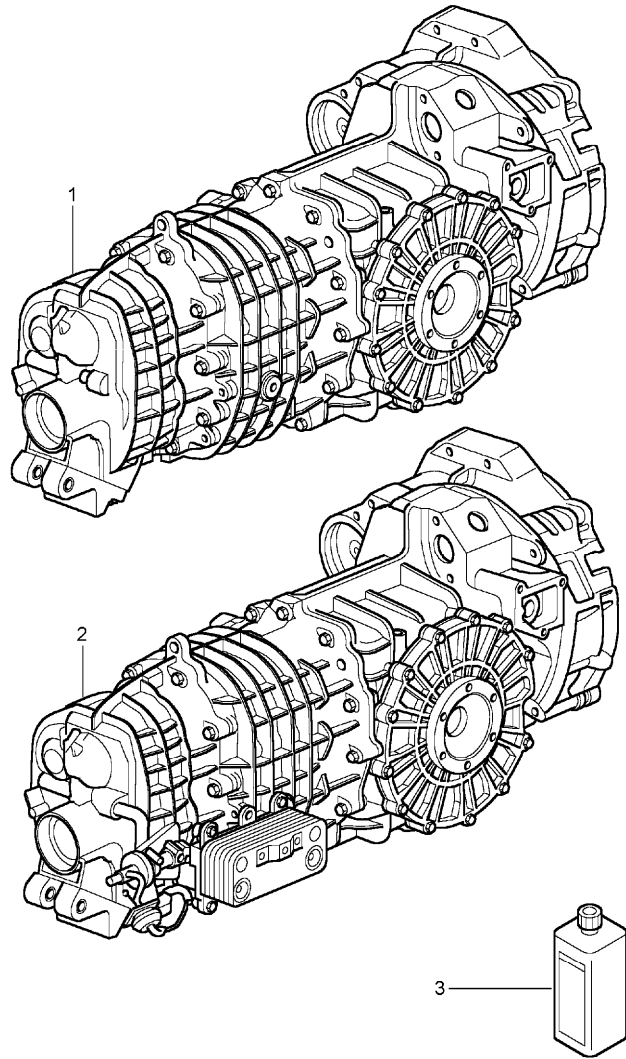
Pos	Part Number	Description	Remark	Qty	Model
		clutch			M96.76/79
1	996 116 015 00	clutch plate		1	M002
1	996 116 015 30	clutch plate		1	M003
2	996 116 027 51	pressure plate		1	
3	999 510 015 02	pan-head screw M 8 X 40		9	M002
(3)	N 014 715 3	pan-head screw M 8 X 45		9	M003

Model	Year	MG	SG	Illustration	Restrictions	UPD	17:15	26.01.2010	PORSCHE	PET	PORSCHE
GT3-1	2005	3	01	301-05		248					



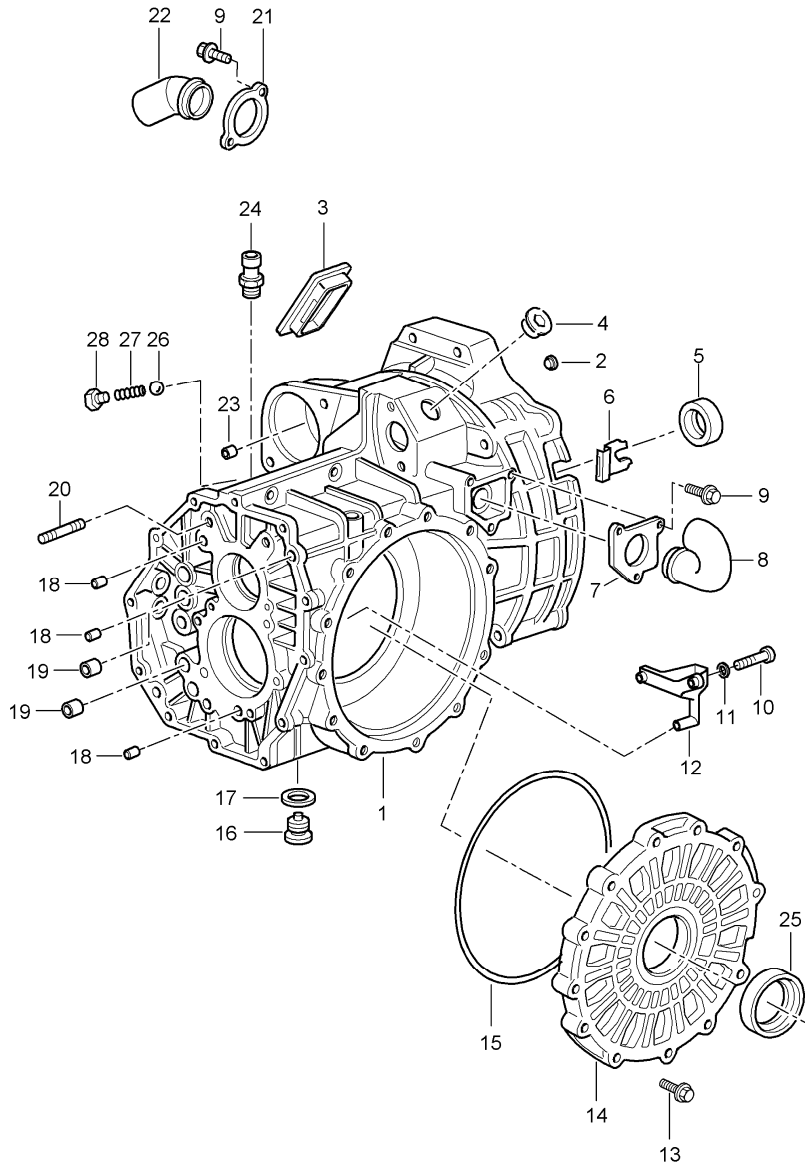
Pos	Part Number	Description	Remark	Qty	Model
		clutch release			G96.90/93/96
		clutch operating cylinder see group 7/02/08			
1	950 116 086 06	release fork		1	
2	950 116 080 03	clutch release bearing		1	M002
(2)	944 116 080 01	clutch release bearing		1	M003
3	950 116 813 06	guide tube		1	M002
(3)	950 116 813 30	guide tube		1	M003
4	900 270 055 02	countersunk-head screw M 6 X 14		2	
5	950 116 710 04	clutch control shaft		1	
6	999 113 418 40	gasket 13,02 X 16,4		2	
7	999 201 339 00	bush		1	
8	950 116 725 00	cover		1	
9	999 201 365 00	articulated bush		1	
10	950 116 713 02	retaining bracket		1	
11	900 075 057 02	hexagon-head bolt M 6 X 16		1	

Model	Year	MG	SG	Illustration	Restrictions	UPD	17:15	26.01.2010	PORSCHE	PET	PORSCHE
GT3-1	2005	3	02	302-00		248					



Pos	Part Number	Description	Remark	Qty	Model
		replacement transmission ready for installation			G96.90/93/96
1	> 996 300 020 90	transmission with limited-slip differential		1	G96.90
1	> 996 300 020 94	transmission with limited-slip differential		1	/M003 G96.90
1	> 996 300 020 93	transmission with limited-slip differential	(J)	01	1 G96.93
2	> 996 300 020 96	transmission with limited-slip differential		04-	1 G96.96
3	000 043 204 20	transmission oil MOBILUBE PTX 75 W 90 container 20 LTR.		X	

Model	Year	MG	SG	Illustration	Restrictions	UPD	17:15	26.01.2010	PORSCHE	PET	PORSCHE
GT3-1	2005	3	02	302-05		248					

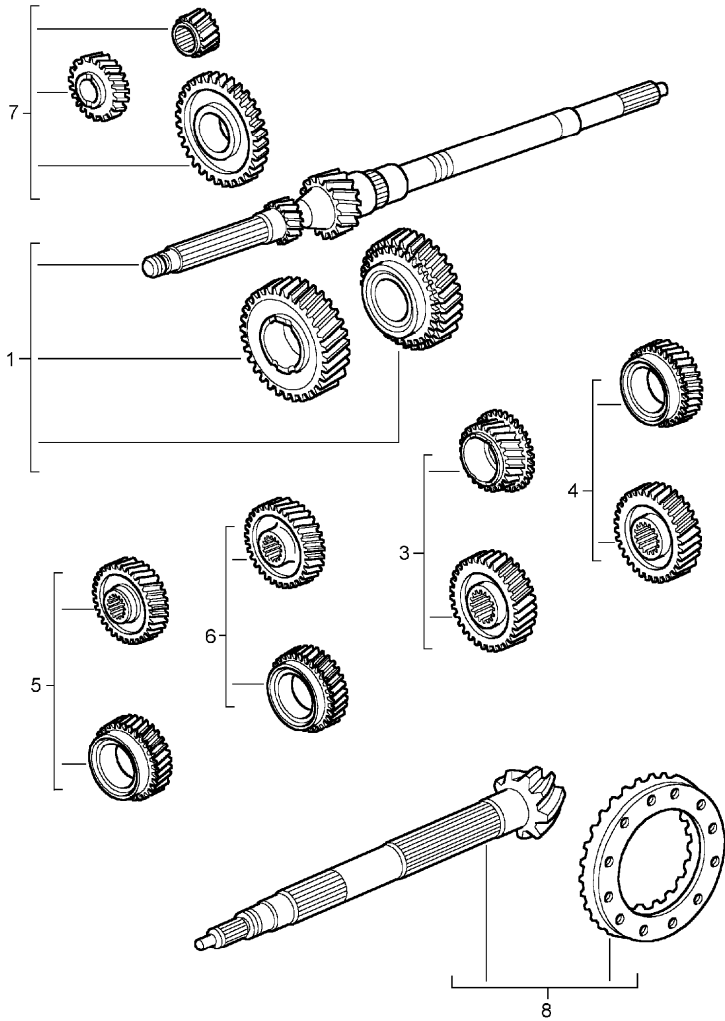


Pos	Part Number	Description	Remark	Qty	Model
		transmission case front			G96.90/93/96
1	996 301 101 91	transmission case		1	G96.90/93
(1)	996 301 101 88	transmission case	04-	1	G96.96
2	999 036 002 40	lid A 14		1	
3	950 301 151 01	cap		1	
4	999 703 490 40	lid 30 X 42		1	
5	999 113 326 41	shaft sealing ring 26,5 X 40		1	
6	993 116 630 00	cap		1	
7	996 116 612 00	flange		1	
8	993 116 610 00	intake manifold		1	
9	900 378 035 01	hexagon-head bolt M 6 X 16		5	
10	900 067 005 02	screw M 5 X 30		2	
11	900 025 003 02	washer A 5,3		2	
12	964 307 107 00	funnel		1	
13	996 301 317 00	hexagon-head bolt M 8 X 35		12	
14	996 301 312 50	transmission cover		1	
15	999 707 328 40	o-ring 205 X 3,5		1	
16	999 063 008 02	screw plug with magnet M 22 X 1,5		1	
17	900 123 118 30	sealing ring A 22 X 27		1	
18	900 012 144 00	straight pin 12 M 6 X 14		4	
19	996 303 513 00	round socket 15 X 21 X 22		4	

Model	Year	MG	SG	Illustration	Restrictions	UPD	17:15	26.01.2010	PORSCHE	PET	PORSCHE
GT3-1	2005	3	02	302-05		248					

Pos	Part Number	Description	Remark	Qty	Model	Pos	Part Number	Description	Remark	Qty	Model
20	900 081 042 02	stud BM 8 X 42		1							
21	996 116 710 00	flange socket		1							
22	993 116 610 00	intake manifold		1							
23	999 531 017 10	bush 12,1 X 14		1							
24	996 301 071 00	bleeder 17 X 12 X 28,1		1							
25	999 113 347 40	shaft sealing ring 48 X 68 X 10		2							
26	900 108 064 00	ball 8		4							
27	996 303 245 00	compression spring		4							
28	900 124 023 02	screw plug M 10 X 1		4							
--	996 449 101 50	hook		2							
--	999 073 190 09	oval-head screw M 8 X 60		2							

Model	Year	MG	SG	Illustration	Restrictions	UPD	17:16	26.01.2010	PORSCHE	PET	PORSCHE
GT3-1	2005	3	03	303-00		248					

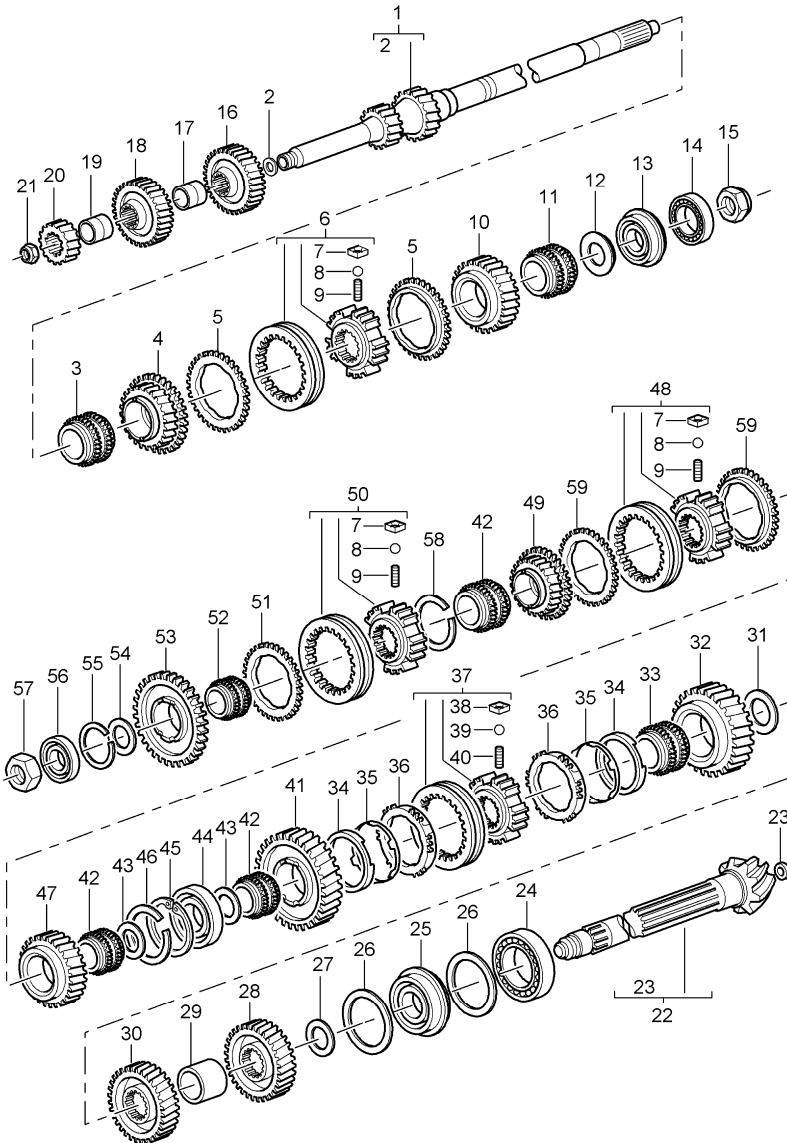


Pos	Part Number	Description	Remark	Qty	Model
		gear wheel sets			G96.90/93/96
1	996 302 901 10	gear set 1st/2nd gear 1st gear Z = 42 : 11 2nd gear Z = 43 : 20		1	
3	996 302 953 50	gear set 3rd gear Z = 39 : 25		1	
3	996 302 953 30	gear set 3rd gear Z = 39 : 25	01	1	/M003 G96.90 G96.96
(3)	996 302 953 03	gear set 3rd gear Z = 38 : 27	(J)	1	G96.93
4	996 302 954 55	gear set 4th speed Z = 40 : 33		1	
4	996 302 954 30	gear set 4th speed Z = 40 : 33	01	1	/M003 G96.90 G96.96
(4)	996 302 954 03	gear set 4th speed Z = 38 : 34	(J)	1	G96.93
5	950 302 955 87	gear set 5th gear Z = 36 : 37		1	
5	996 302 955 30	gear set 5th gear Z = 36 : 37	01	1	/M003 G96.90 G96.93
(5)	996 302 955 31	gear set 5th gear Z = 36 : 36	(J)	04-	1 G96.96
6	996 302 956 00	gear set 6th gear Z = 32 : 39		1	
(6)	996 302 956 75	gear set 6th gear Z = 35 : 41	04-	1	G96.96

Model	Year	MG	SG	Illustration	Restrictions	UPD	17:16	26.01.2010	PORSCHE	PET	PORSCHE
GT3-1	2005	3	03	303-00		248					

Pos	Part Number	Description	Remark	Qty	Model	Pos	Part Number	Description	Remark	Qty	Model
7	996 302 907 50	gear set reverse gear		1							
8	996 302 911 71	ring gear and pinion shaft 31 : 9		1							

Model	Year	MG	SG	Illustration	Restrictions	UPD	17:16	26.01.2010	PORSCHE	PET	PORSCHE
GT3-1	2005	3	03	303-10		248					



Pos	Part Number	Description	Remark	Qty	Model
		gears and shafts			G96.90/93/96
		gear wheel sets see group 3/03/00			
1	-	drive shaft		1	
2	964 302 335 02	washer 7 MM		1	
3	999 201 442 00	needle-roller bearing 42 X 47 X 32		1	
4	-	loose gear wheel 3rd gear		1	
5	928 304 211 23	synchroniser ring		4	
6	996 304 021 51	guide sleeve 3rd/4th gear		1	
7	928 304 251 00	stone		9	
8	N 025 653 2	ball 6,5 MM		9	
9	928 304 261 01	compression spring		9	
10	-	loose gear wheel 4th speed		1	
11	999 201 437 06	needle-roller bearing 35 X 47 X 32,2		1	
12	996 302 294 50	thrust washer 4th speed		1	
13	999 052 094 00	four-point bearing 30 X 62 X 16		1	
14	999 110 117 01	cylindrical-roller bearing 30 X 62 X 20		1	
15	999 034 033 00	hexagon nut M 30 X 1,5		1	
16	-	fixed gear wheel 6th gear		1	
17	950 302 268 12	spacer sleeve 5th gear and 6th gear		1	
18	-	fixed gear wheel 5th gear			

Model	Year	MG	SG	Illustration	Restrictions	UPD	17:16	26.01.2010	PORSCHE	PET	PORSCHE
GT3-1	2005	3	03	303-10		248					

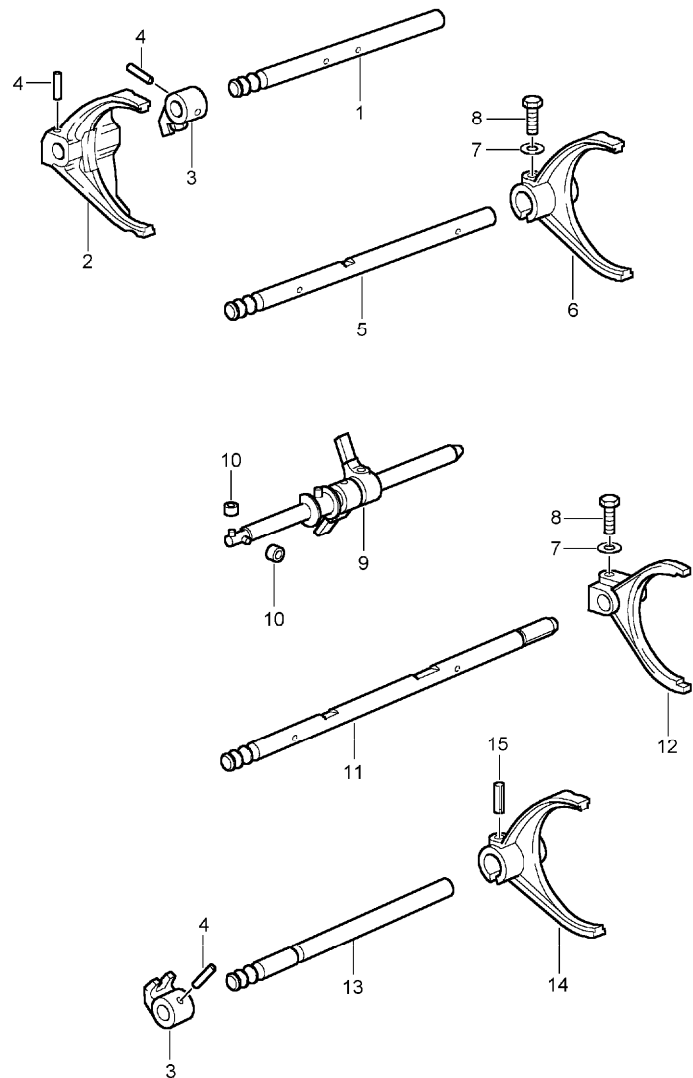
Pos	Part Number	Description	Remark	Qty	Model	Pos	Part Number	Description	Remark	Qty	Model
19	950 302 270 02	spacer sleeve		1		26	996 302 163 63	shim 90 X 97 X 1,15		X	
20	-	fixed gear wheel reverse gear		1		26	996 302 163 64	shim 90 X 97 X 1,20		X	
21	999 034 035 00	hexagon nut M 22 X 1,5		1		26	996 302 163 65	shim 90 X 97 X 1,25		X	
22	-	pinion shaft		1		26	996 302 163 66	shim 90 X 97 X 1,30		X	
23	964 302 335 01	washer 14,5		1		26	996 302 163 67	shim 90 X 97 X 1,35		X	
24	999 110 119 01	cylindrical-roller bearing 40 X 90 X 23		1		26	996 302 163 68	shim 90 X 97 X 1,40		X	
25	999 052 164 00	angular-contact bearing 40 X 82 X 18		1		26	996 302 163 69	shim 90 X 97 X 1,45		X	
26	996 302 163 50	shim 90 X 97 X 0,50		X		26	996 302 163 70	shim 90 X 97 X 1,50		X	
26	996 302 163 51	shim 90 X 97 X 0,55		X		26	996 302 163 71	shim 90 X 97 X 1,55		X	
26	996 302 163 52	shim 90 X 97 X 0,60		X		26	996 302 163 72	shim 90 X 97 X 1,60		X	
26	996 302 163 53	shim 90 X 97 X 0,65		X		27	996 302 151 50	shim 40 X 50 X 0,40		X	
26	996 302 163 54	shim 90 X 97 X 0,70		X		27	996 302 151 51	shim 40 X 50 X 0,45		X	
26	996 302 163 55	shim 90 X 97 X 0,75		X		27	996 302 151 52	shim 40 X 50 X 0,50		X	
26	996 302 163 56	shim 90 X 97 X 0,80		X		27	996 302 151 53	shim 40 X 50 X 0,55		X	
26	996 302 163 57	shim 90 X 97 X 0,85		X		27	996 302 151 54	shim 40 X 50 X 0,60		X	
26	996 302 163 58	shim 90 X 97 X 0,90		X		27	996 302 151 55	shim 40 X 50 X 0,65		X	
26	996 302 163 59	shim 90 X 97 X 0,95		X		27	996 302 151 56	shim 40 X 50 X 0,70		X	
26	996 302 163 60	shim 90 X 97 X 1,00		X		27	996 302 151 57	shim 40 X 50 X 0,80		X	
26	996 302 163 61	shim 90 X 97 X 1,05		X		27	996 302 151 58	shim 40 X 50 X 0,90		X	
26	996 302 163 62	shim 90 X 97 X 1,10		X							

Model	Year	MG	SG	Illustration	Restrictions	UPD	17:16	26.01.2010	PORSCHE	PET	PORSCHE
GT3-1	2005	3	03	303-10		248					

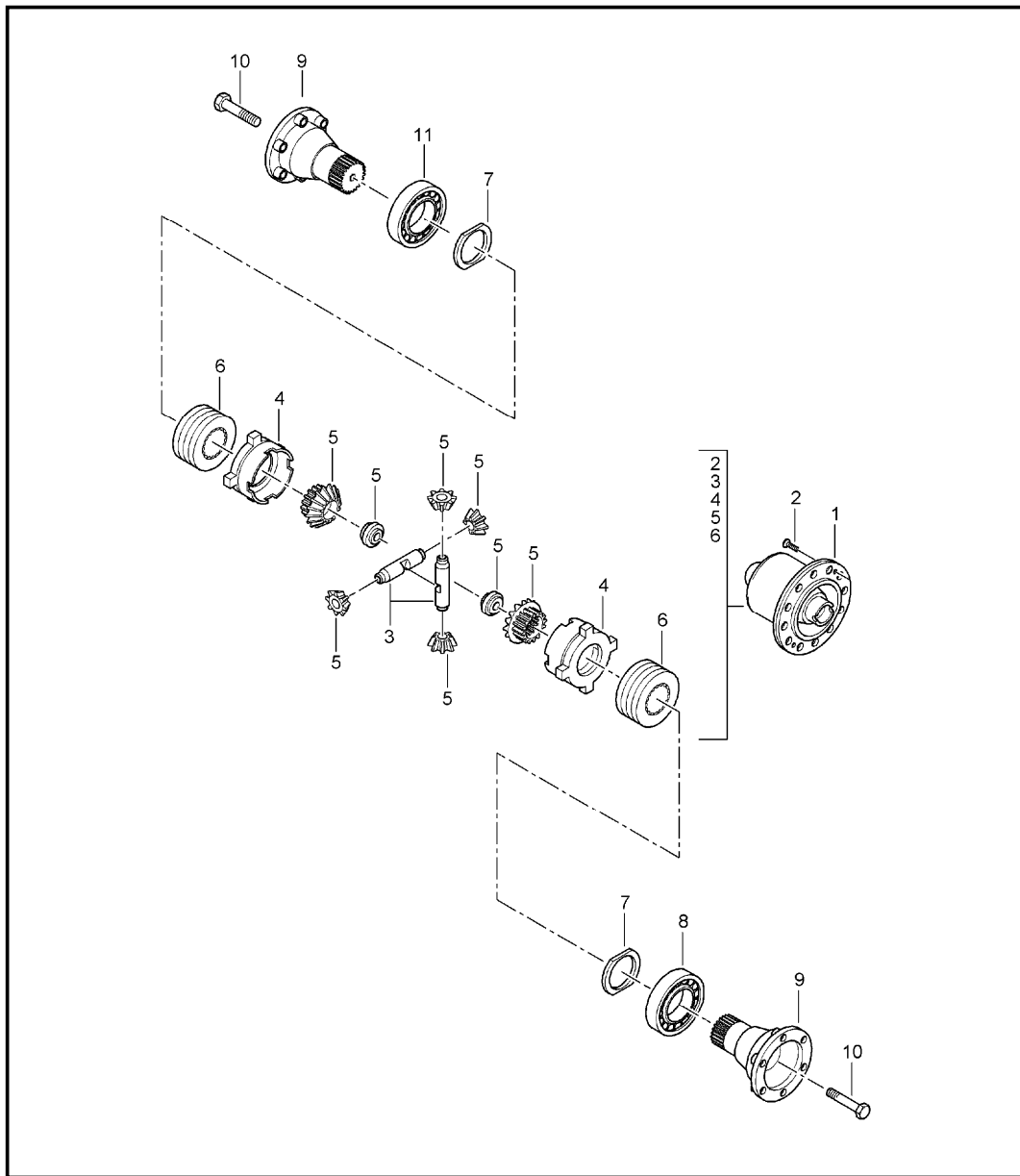
Pos	Part Number	Description	Remark	Qty	Model	Pos	Part Number	Description	Remark	Qty	Model
27	996 302 151 59	shim 40 X 50 X 1,00		X		43	950 302 295 07	thrust washer 1st gear and 6th gear		2	
27	996 302 151 60	shim 40 X 50 X 1,10		X		44	999 110 109 01	cylindrical-roller bearing 35 X 80 X 18		1	
27	996 302 151 61	shim 40 X 50 X 1,20		X		45	999 152 106 00	circlip		1	
27	996 302 151 62	shim 40 X 50 X 1,30		X		46	N 100 709 01	circlip SP 80		1	
27	996 302 151 63	shim 40 X 50 X 0,75		X		47	-	loose gear wheel 6th gear		1	
28	-	fixed gear wheel 4th speed		1		48	950 304 021 23	guide sleeve 5th gear and 6th gear		1	
29	950 302 267 02	spacer sleeve		1		49	-	loose gear wheel 5th gear		1	
30	-	fixed gear wheel 3rd gear		1		50	996 304 021 50	guide sleeve reverse gear		1	
31	950 302 292 00	thrust washer 2nd gear		1		51	928 304 211 24	synchroniser ring reverse gear		1	
32	-	loose gear wheel 2nd gear		1		52	999 201 253 00	needle cage 32 X 45 X 27,2		1	
33	999 201 225 04	needle-roller bearing 39,68 X 50		1		53	-	loose gear wheel reverse gear		1	
34	950 304 617 20	ring		2		54	950 302 296 07	thrust washer reverse gear		1	
35	996 304 613 20	cone ring		2		55	999 152 024 01	circlip 62 X 1,50		1	
36	950 304 611 20	synchroniser ring		2		56	999 110 192 00	cylindrical-roller bearing 30 X 62 X 16		1	
37	996 304 061 50	guide sleeve 1st/2nd gear		1		57	999 034 034 00	hexagon nut M 30 X 1,25		1	
38	950 304 651 00	stone		3		58	999 152 111 00	circlip 78 X 1,50		1	
39	900 108 058 00	ball 5 MM		3		59	928 304 211 30	synchroniser ring		3	
40	950 304 661 03	compression spring		3							
41	-	loose gear wheel 1st gear		1							
42	999 201 239 06	needle-roller bearing 35 X 50 X 32,2		3							

Model	Year	MG	SG	Illustration	Restrictions	UPD	17:16	26.01.2010	PORSCHE	PET	PORSCHE
GT3-1	2005	3	04	304-00		248					

Pos	Part Number	Description	Remark	Qty	Model
		gear shift rod shift fork shift rod			G96.90/93/96
1	996 303 103 52	gear shift rod 3rd/4th gear		1	
2	996 303 113 51	shift fork 3rd/4th gear		1	
(2)	996 303 113 88	shift fork 3rd/4th gear	04-	1	G96.96
3	996 303 121 50	driver		2	
4	996 303 301 00	spiral clamping pin		3	
5	996 303 106 51	gear shift rod 5th gear and 6th gear		1	
6	996 303 116 50	shift fork 5th gear and 6th gear		1	
7	900 025 007 02	washer A 8,4		2	
8	900 075 099 02	hexagon-head bolt M 8 X 30		2	
9	996 303 021 52	shift rod		1	
10	996 303 403 00	roller 10 X 5 X 3		4	
11	996 303 105 52	gear shift rod reverse gear		1	
12	996 303 115 50	shift fork reverse gear		1	
13	996 303 101 51	gear shift rod 1st/2nd gear		1	
14	996 303 111 51	shift fork 1st/2nd gear		1	
15	900 095 017 01	roll pin 5,0 X 24		2	



Model	Year	MG	SG	Illustration	Restrictions	UPD	17:16	26.01.2010	PORSCHE	PET	PORSCHE
GT3-1	2005	3	05	305-05		248					

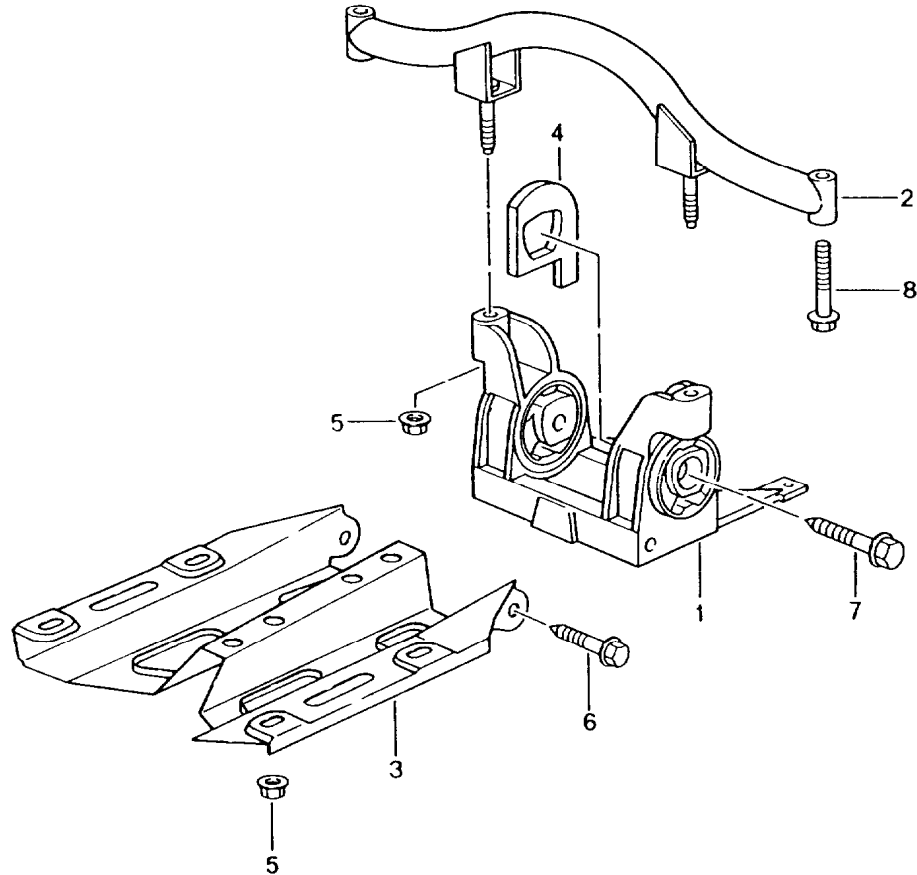


Pos	Part Number	Description	Remark	Qty	Model
		limited-slip differential complete and repair kits			G96.90/93/96
1	A 950 332 083 36	limited-slip differential 40/65 % FA.GKN	00	1	G96.90
1	996 332 983 9B	limited-slip differential 40/65 % FA. GKN	01-	1	G96.93 G96.96
2	950 332 983 03	countersunk-head screw set FA.GKN		1	
(2)	999 217 152 01	hexagon-head bolt M 12 X 1,25 X 22,5		12	
3	950 332 983 06	axle set FA.GKN		1	
4	950 332 983 05	ring set FA.GKN		1	
5	950 332 983 02	gear set FA.GKN		1	
6	950 332 983 36	vanes FA.GKN		1	
7	996 332 266 50	adjusting ring 50,4 X 65 X 1,50		X	
7	996 332 266 51	adjusting ring 50,4 X 65 X 1,55		X	
7	996 332 266 52	adjusting ring 50,4 X 65 X 1,60		X	
7	996 332 266 53	adjusting ring 50,4 X 65 X 1,65		X	
7	996 332 266 54	adjusting ring 50,4 X 65 X 1,70		X	
7	996 332 266 55	adjusting ring 50,4 X 65 X 1,75		X	
7	996 332 266 56	adjusting ring 50,4 X 65 X 1,80		X	

Model	Year	MG	SG	Illustration	Restrictions	UPD	17:16	26.01.2010	PORSCHE	PET	PORSCHE
GT3-1	2005	3	05	305-05		248					

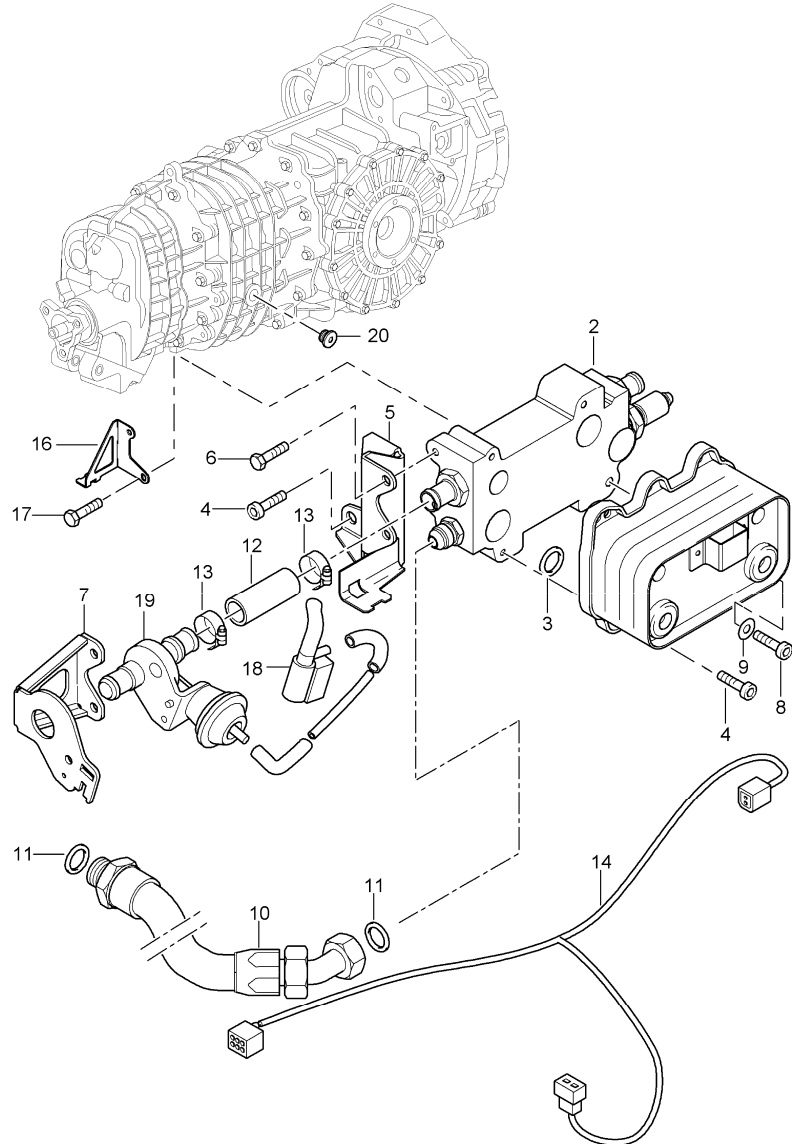
Pos	Part Number	Description	Remark	Qty	Model	Pos	Part Number	Description	Remark	Qty	Model
7	996 332 266 57	adjusting ring 50,4 X 65 X 1,85		X		7	996 332 266 76	adjusting ring 50,4 X 65 X 2,80		X	
7	996 332 266 58	adjusting ring 50,4 X 65 X 1,90		X		8	999 059 064 00	taper roller bearing 50 X 90		1	
7	996 332 266 59	adjusting ring 50,4 X 65 X 1,95		X		(8)	999 059 066 01	taper roller bearing 50 X 80 X 20		1	
7	996 332 266 60	adjusting ring 50,4 X 65 X 2,00		X		9	950 332 209 01	joint flange		2	
7	996 332 266 61	adjusting ring 50,4 X 65 X 2,05		X		10	N 010 472 4	hexagon-head bolt M 10 X 85		2	
7	996 332 266 62	adjusting ring 50,4 X 65 X 2,10		X		11	999 059 066 01	taper roller bearing 50 X 80 X 20		1	
7	996 332 266 63	adjusting ring 50,4 X 65 X 2,15		X							
7	996 332 266 64	adjusting ring 50,4 X 65 X 2,20		X							
7	996 332 266 65	adjusting ring 50,4 X 65 X 2,25		X							
7	996 332 266 66	adjusting ring 50,4 X 65 X 2,30		X							
7	996 332 266 67	adjusting ring 50,4 X 65 X 2,35		X							
7	996 332 266 68	adjusting ring 50,4 X 65 X 2,40		X							
7	996 332 266 69	adjusting ring 50,4 X 65 X 2,45		X							
7	996 332 266 70	adjusting ring 50,4 X 65 X 2,50		X							
7	996 332 266 71	adjusting ring 50,4 X 65 X 2,55		X							
7	996 332 266 72	adjusting ring 50,4 X 65 X 2,60		X							
7	996 332 266 73	adjusting ring 50,4 X 65 X 2,65		X							
7	996 332 266 74	adjusting ring 50,4 X 65 X 2,70		X							
7	996 332 266 75	adjusting ring 50,4 X 65 X 2,75		X							

Model	Year	MG	SG	Illustration	Restrictions	UPD	18:16	26.01.2010	PORSCHE	PET	PORSCHE
GT3-1	2005	3	06	306-00		248					



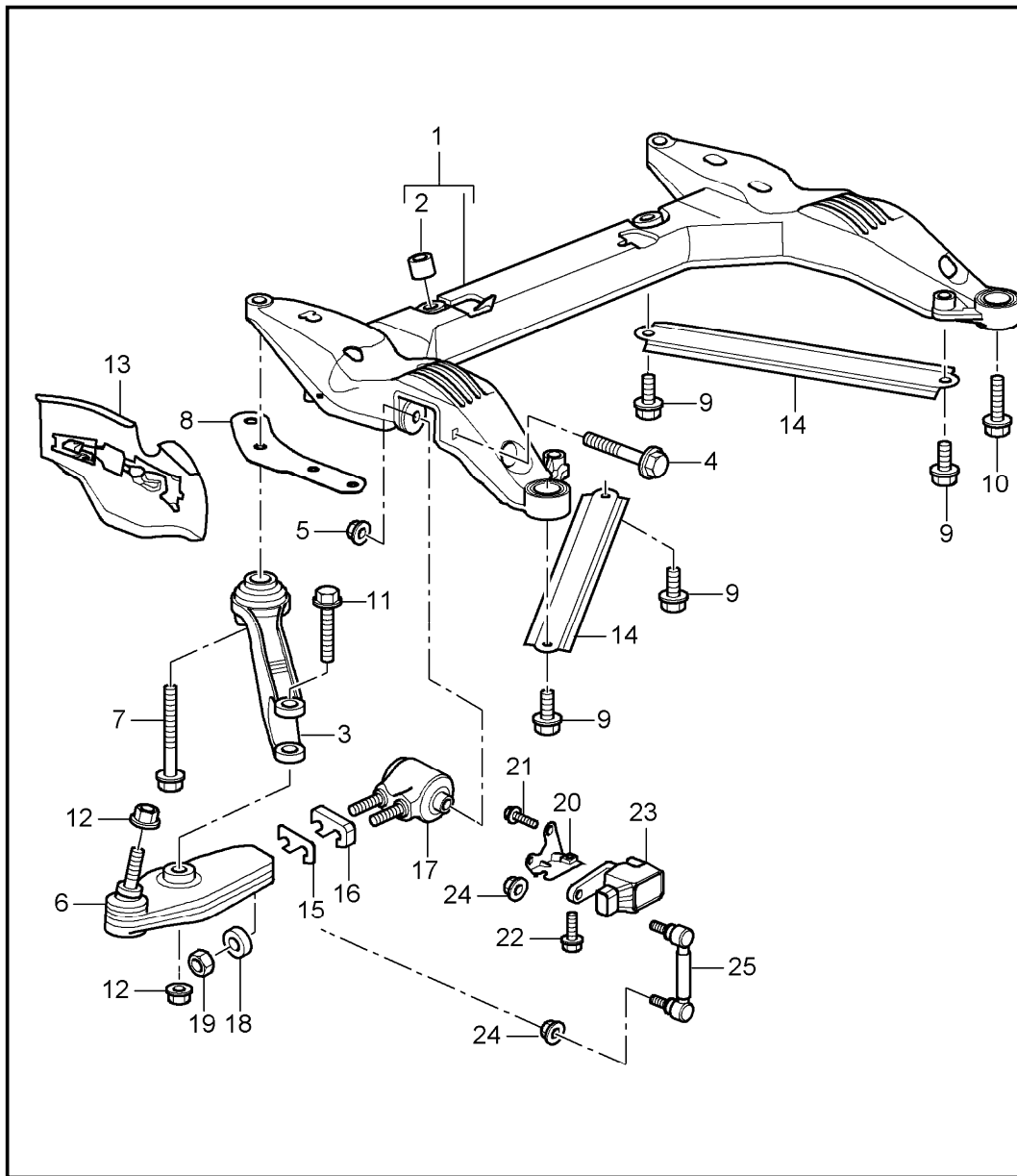
Pos	Part Number	Description	Remark	Qty	Model
		transmission suspension			G96.90/93/96
1	996 375 033 03	transmission carrier		1	
2	996 375 317 06	bracket upper		1	
3	996 375 015 00	side member		1	
4	996 375 259 08	stop		2	
5	900 378 167 09	hexagon-head bolt M 10 X 110		2	
5	999 061 106 09	stud M 10 X 83		2	
6	900 380 008 09	hexagon nut M 10		2	
(6A)	999 076 053 09	hexagon nut M 10		6	
7	999 072 010 09	hexagon-head bolt M 12 X 1,5 X 100		2	
8	999 072 008 09	hexagon-head bolt M 12 X 1,5 X 70		3	
9	900 378 061 09	hexagon-head bolt M 12 X 1,5 X 50		1	
10	900 378 076 09	hexagon-head bolt M 10 X 50		1	
11	900 377 011 09	hexagon nut M 10		1	

Model	Year	MG	SG	Illustration	Restrictions	UPD	18:16	26.01.2010	PORSCHE	PET	PORSCHE
GT3-1	2005	3	07	307-00		248					



Pos	Part Number	Description	Remark	Qty	Model
		transmission oil cooler lines	04-		G96.96
1	996 307 015 8A	transmission oil cooler		1	
2	996 307 020 8A	port plate		1	
3	900 331 021 40	o-ring		4	
4	999 073 103 09	oval-head screw M 6 X 16		5	
5	996 307 141 88	support		1	
6	900 378 017 09	hexagon-head bolt M 8 X 20		2	
7	996 307 145 88	support		1	
8	900 186 030 02	pan-head screw M 6 X 55		1	
9	N 011 524 7	washer A 6,4		1	
10	996 307 333 88	oil hose		1	
11	900 123 152 30	sealing ring A 16 X 22		2	
12	900 181 067 50	water hose B18 X 3,5 X47		1	
13	999 512 552 00	hose clamp A 20-32 / 9		2	
14	996 612 401 70	wiring harness		1	
15	811 971 848 B	cable terminal		3	
16	996 106 536 72	support		1	
17	900 378 074 09	hexagon-head bolt M 8 X 16		2	
18	996 605 123 01	change-over valve		1	
19	928 574 573 03	disc valve		1	
-- A	996 307 023 88	oil pump		1	
-- A	996 307 023 90	oil pump		1	
--	997 307 023 90	oil pump		1	
20	N 016 163 2	screw plug CM 22 X 1,5		1	

Model	Year	MG	SG	Illustration	Restrictions	UPD	18:16	26.01.2010	PORSCHE	PET	PORSCHE
GT3-1	2005	4	01	401-00		248					

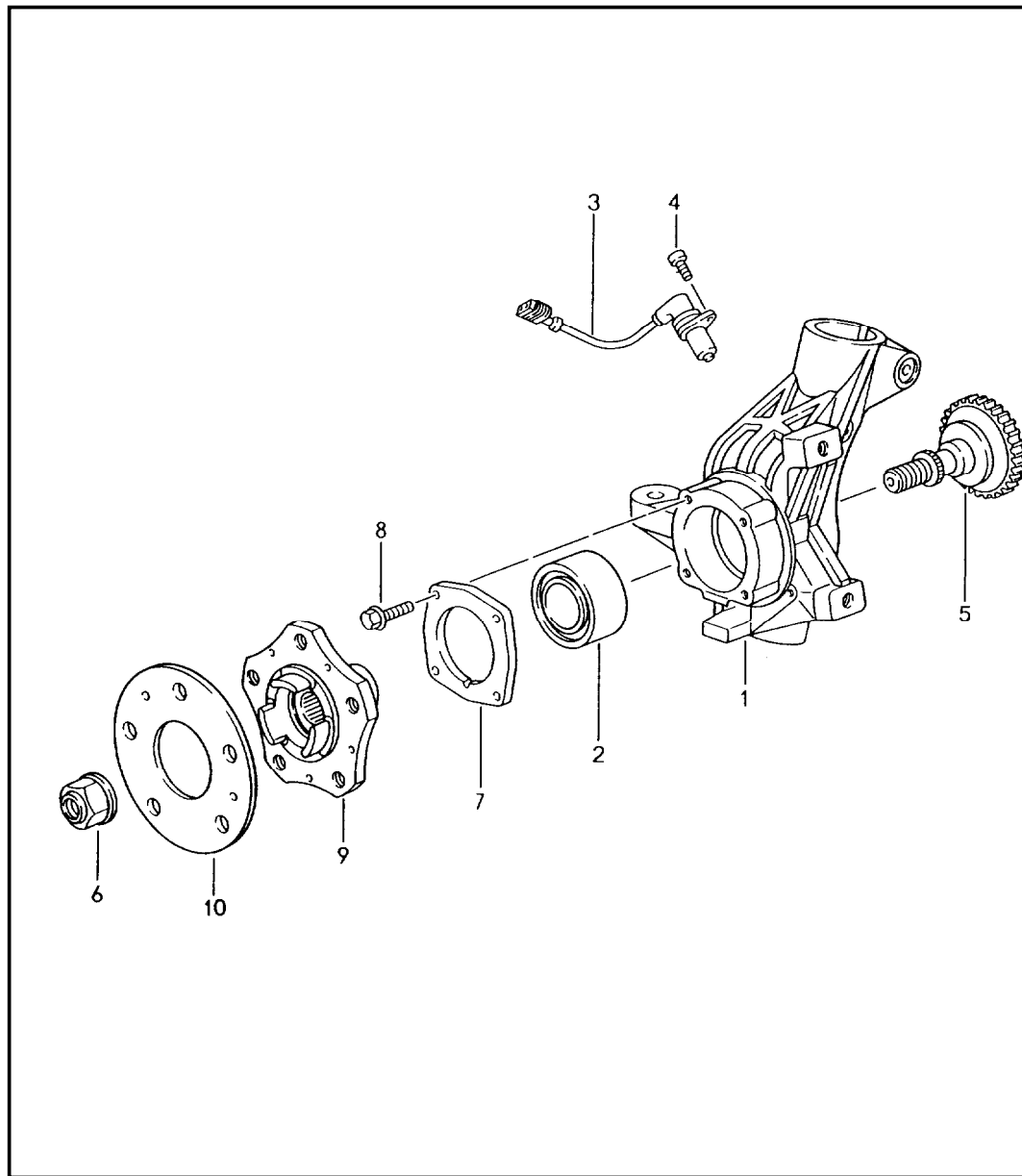


Pos	Part Number	Description	Remark	Qty	Model
		cross member wishbone			
1	996 341 081 30	cross member	-01	1	
(1) A	996 341 081 12	cross member	02-	1	
(1)	996 341 081 14	cross member	02-	1	
2	900 197 004 00	guide sleeve 13 X 14		1	
3	996 341 043 06	control arm		2	
4	900 378 165 09	hexagon-head bolt M 12 X 1,5 X 95		2	
5	999 084 445 09	lock nut M 12 X 1,5		2	
6 K	996 341 122 90	wishbone	/L	1	
(6) K	996 341 121 90	wishbone	/R	1	
7	900 378 210 09	hexagon-head bolt M 14 X 1,5 X 110		2	
8	996 341 145 06	plate		2	
9	900 378 094 09	hexagon-head bolt M 12 X 1,5 X 25		2	
10 A	900 378 192 09	hexagon-head bolt M 14 X 1,5 X 50	-01	2	
10	900 378 192 01	hexagon-head bolt M 14 X 1,5 X 50		2	
10 A	900 378 192 09	hexagon-head bolt M 14 X 1,5 X 50	02-	4	
10	900 378 192 01	hexagon-head bolt M 14 X 1,5 X 50	02-	4	
11 A	900 378 135 09	hexagon-head bolt M 14 X 1,5 X 73		2	
11	900 378 135 01	hexagon-head bolt M 14 X 1,5 X 73		2	
12 A	900 380 012 09	hexagon nut M 14 X 1,5		2	
12	900 380 012 01	hexagon nut M 14 X 1,5		2	
13	996 341 483 01	spoiler	/L	00	1

Model	Year	MG	SG	Illustration	Restrictions	UPD	18:16	26.01.2010	PORSCHE	PET	PORSCHE
GT3-1	2005	4	01	401-00		248					

Pos	Part Number	Description	Remark	Qty	Model	Pos	Part Number	Description	Remark	Qty	Model
(13)	996 341 483 02	spoiler	/L 01	1		24	900 380 015 01	hexagon nut VM 6		2	M601
(13)	996 341 117 90	spoiler	/L 02	1		25	996 341 375 01	strut		1	M601
(13)	996 341 117 91	spoiler	/L 04-	1							
(13)	996 341 117 92	spoiler	/L 04-	1	M004						
(13)	996 341 484 01	spoiler	/R 00	1							
(13)	996 341 484 02	spoiler	/R 01	1							
(13)	996 341 118 90	spoiler	/R 02	1							
(13)	996 341 118 91	spoiler	/R 04-	1							
(13)	996 341 118 92	spoiler	/R 04-	1	M004						
14	996 504 433 00	strut		2							
15	K 996 341 543 90	adjusting shim 1 MM		X							
(15)	K 996 341 543 91	adjusting shim 2 MM		X							
(15)	K 996 341 543 92	adjusting shim 3 MM		X							
(15)	K 996 341 543 93	adjusting shim 7 MM		X							
(15)	996 341 543 30	adjusting shim	/L	1	M601						
17	K 996 341 441 90	bearing flange wishbone		2							
18	999 025 269 02	washer 8,5		4							
19	900 076 025 02	hexagon nut M 8		4							
20	996 341 511 02	support		1	M601						
21	900 146 003 02	oval-head screw M 5 X 10		2	M601						
22	900 378 177 09	hexagon-head bolt M 6 X 30		1	M601						
23	996 631 121 00	sensor		1	M601						
24	A 900 380 015 09	hexagon nut VM 6		2	M601						

Model	Year	MG	SG	Illustration	Restrictions	UPD	18:16	26.01.2010	PORSCHE	PET	PORSCHE
GT3-1	2005	4	01	401-05		248					

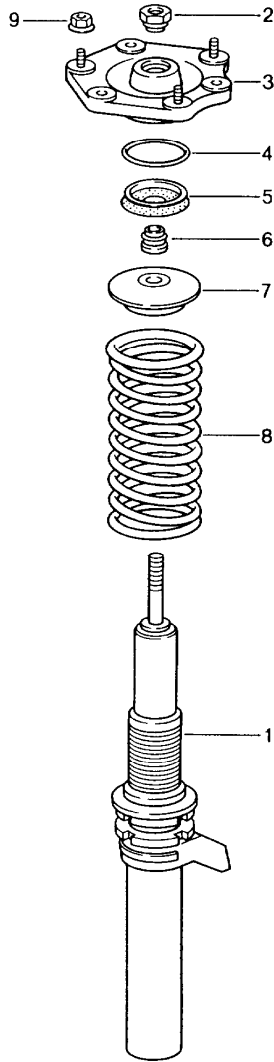


Pos	Part Number	Description	Remark	Qty	Model
		wheel carrier wheel hub			
(1) K	996 341 157 91	wheel carrier	/L	1	
(1)	996 341 157 92	wheel carrier	/L 04-	1	M004
(1) K	996 341 158 91	wheel carrier	/R	1	
(1)	996 341 158 92	wheel carrier	/R 04-	1	M004
2	A 999 053 042 10	bearing		2	
(2)	999 053 054 05	bearing		2	
3	996 606 406 00	speed sensor		2	
-	986 606 136 00	protective tube for speed sensor		00 2	
- K	996 341 321 70	support for cable speed sensor		01- 2	
-	996 341 321 71	support for cable speed sensor	/L 04-	1	M004
-	996 341 322 71	support for cable speed sensor	/R 04-	1	M004
3	996 606 407 02	speed sensor		04- 2	
-	996 606 235 90	heat protection for speed sensor	/L 04-	1	
(3)	996 606 235 91	heat protection for speed sensor	/L 04-	1	M004
-	996 606 236 90	heat protection for speed sensor	/R 04-	1	
(3)	996 606 236 91	heat protection for speed sensor	/R 04-	1	M004
4	900 067 117 09	hexagon-head bolt M 6 X 16		2	

Model	Year	MG	SG	Illustration	Restrictions	UPD	18:16	26.01.2010	PORSCHE	PET	PORSCHE
GT3-1	2005	4	01	401-05		248					

Pos	Part Number	Description	Remark	Qty	Model	Pos	Part Number	Description	Remark	Qty	Model
5	K 996 341 131 90	tension bolt		2							
6	999 084 634 02	hexagon nut M 22 X 1,5		2							
7	986 331 661 20	lid		2							
(7)	A 996 341 661 90	lid	04-	2	M004						
(7)	997 341 661 90	lid	04-	2	M004						
8	999 217 042 09	hexagon-head bolt M 8 X 35		8							
(8)	999 217 042 09	hexagon-head bolt M 8 X 35	04-	12	M004						
9	U 996 341 605 91	wheel hub		2							
(9)	997 341 605 01	wheel hub		2							
10	997 361 605 90	spacer 5 MM		2							

Model	Year	MG	SG	Illustration	Restrictions	UPD	18:16	26.01.2010	PORSCHE	PET	PORSCHE
GT3-1	2005	4	02	402-00		248					

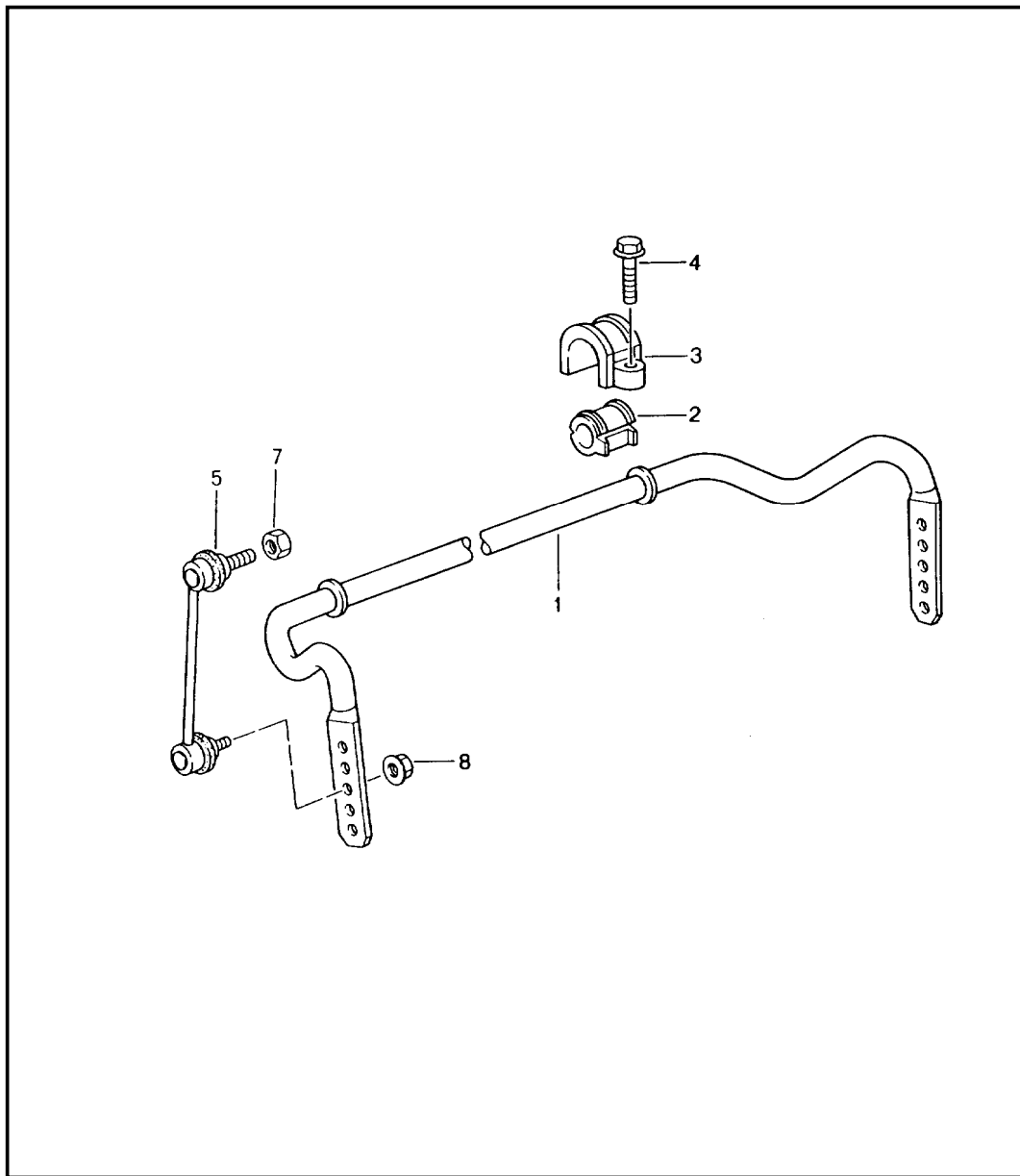


Pos	Part Number	Description	Remark	Qty	Model
1	996 343 041 91	suspension shock absorber strut shock absorber - bilstein -	-02	2	
(1)	996 343 041 95	shock absorber - bilstein -	04-	2	
(1)	996 343 041 97	shock absorber - bilstein -	04-	2	M004
		mount shock absorber			
- A	900 378 138 09	hexagon-head bolt M 12 X 1,5 X 70		4	
-	900 378 138 01	hexagon-head bolt M 12 X 1,5 X 70		4	
-	999 084 445 09	hexagon nut M 12 X 1,5		4	
2 K	996 343 561 91	nut		2	
3	996 343 011 91	supporting mount		2	
-	000 043 205 34	grease 1 tube 100 ML. AUTOL TOP 2000		X	
-	000 043 205 34	grease 1 tube 100 ML. AUTOL TOP 2000		X	
4	964 343 188 80	retainer spring		6	
5	964 343 186 80	bellows		2	
6 K	996 343 563 91	spacer sleeve		2	
7 U	996 343 511 91	spring hanger		2	
(7) K	996 343 511 90	spring hanger		2	
-	996 343 567 90	bellows for spring hanger		2	
- A	996 343 551 90	rubber ply for coil spring		2	

Model	Year	MG	SG	Illustration	Restrictions	UPD	18:16	26.01.2010	PORSCHE	PET	PORSCHE
GT3-1	2005	4	02	402-00		248					

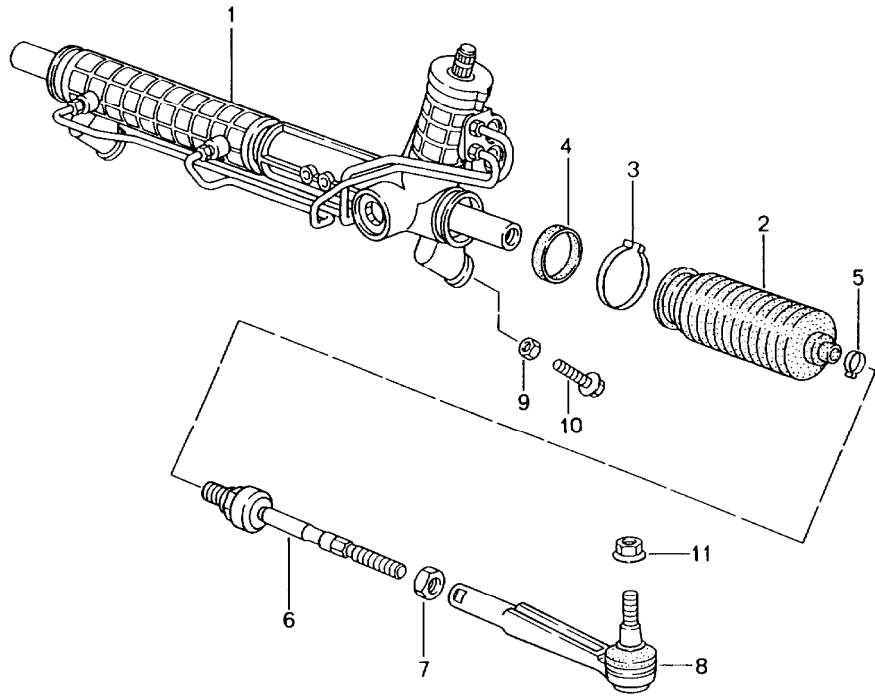
Pos	Part Number	Description	Remark	Qty	Model	Pos	Part Number	Description	Remark	Qty	Model
-	996 343 551 91	rubber ply for coil spring	-02	2							
8	996 343 531 91	coil spring	-02	1							
	504	1 set									
(8)	996 343 531 95	coil spring	04-	1							
	504	1 set									
(8)	996 343 531 97	coil spring	04-	1	M004						
	504	1 set									
9	A 999 084 447 09	hexagon nut M 8		6							
9	999 084 447 01	hexagon nut M 8		6							

Model	Year	MG	SG	Illustration	Restrictions	UPD	18:17	26.01.2010	PORSCHE	PET	PORSCHE
GT3-1	2005	4	02	402-05		248					



Pos	Part Number	Description	Remark	Qty	Model
		stabiliser			
1	996 343 701 90	stabiliser		1	
2	996 343 792 16	stabiliser mounting		2	
3	996 343 777 01	clip		2	
4	900 378 070 09	hexagon-head bolt M 10 X 30		4	
5	996 343 069 91	stabiliser mounting		2	
(5)	996 343 070 93	stabiliser mounting	04-	2	M004
7	999 084 624 09	hexagon nut M 10		2	
8	999 084 624 09	hexagon nut M 10		2	

Model	Year	MG	SG	Illustration	Restrictions	UPD	18:17	26.01.2010	PORSCHE	PET	PORSCHE
GT3-1	2005	4	03	403-00		248					

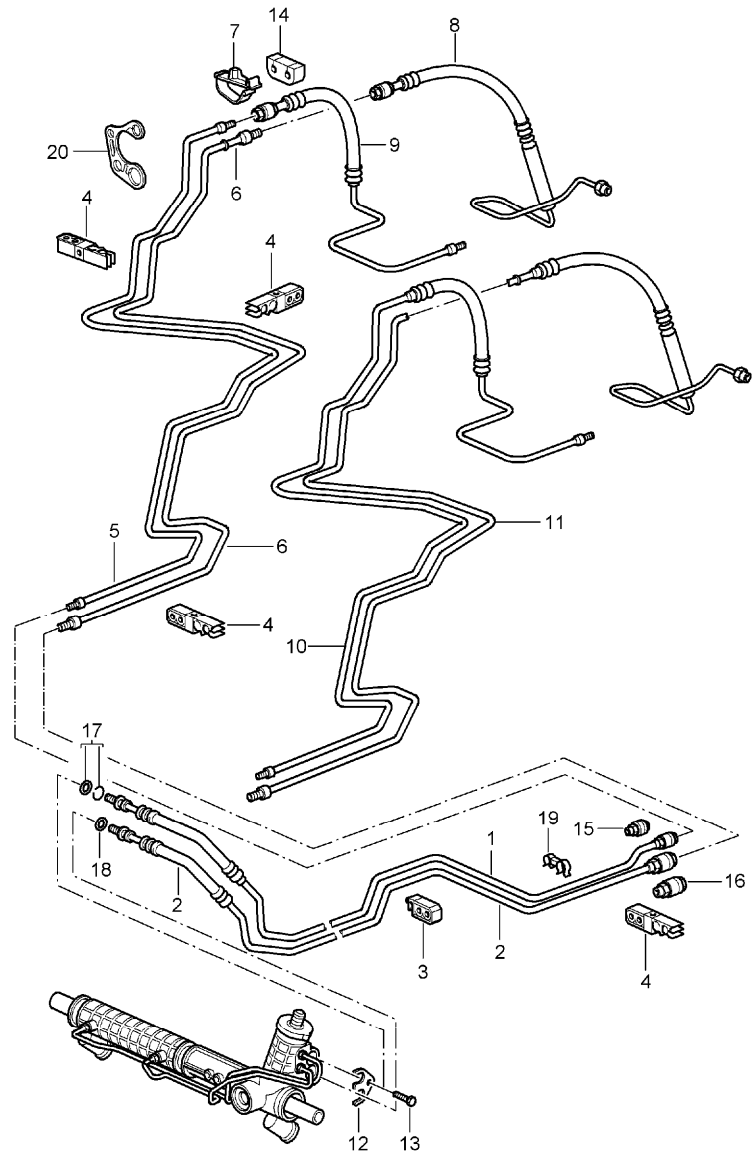


Pos	Part Number	Description	Remark	Qty	Model
		power steering steering gear steering parts			
1	A 996 347 011 05	steering gear power steering	/LL	1	
(1)	A 996 347 011 06	steering gear power steering	/LL	1	
(1)	> 996 347 011 07	steering gear power steering	/LL	1	
(1)	A 996 347 012 05	steering gear power steering	/RL	1	
(1)	A 996 347 012 07	steering gear power steering	/RL	1	
(1)	> 996 347 012 08	steering gear power steering	/RL	1	
-	A 996 347 110 01	clip pinion steering gear		-02	1
-	996 347 110 02	clip pinion steering gear		04-	1
2	996 347 191 02	bellows for steering gear 996.347.011.05 996.347.012.05		2	
(2)	996 347 191 04	bellows for steering gear 996.347.011.06/07 996.347.012.07/08		2	
3	996 347 293 03	clamping ring for steering gear 996.347.011.05 996.347.012.05		2	
(3)	996 347 293 04	clamping ring for steering gear 996.347.011.06/07 996.347.012.07/08		2	

Model	Year	MG	SG	Illustration	Restrictions	UPD	18:17	26.01.2010	PORSCHE	PET	PORSCHE
GT3-1	2005	4	03	403-00		248					

Pos	Part Number	Description	Remark	Qty	Model	Pos	Part Number	Description	Remark	Qty	Model
4	997 347 373 00	sealing ring for steering gear 996.347.011.05 996.347.012.05		2							
(4)	997 347 373 00	sealing ring for steering gear 996.347.011.06/07 996.347.012.07/08		2							
5	999 512 645 09	clamping ring		2							
6	996 347 322 03	joint		2							
7	999 034 037 09	hexagon nut M 14 X 1,5		2							
8	996 347 131 03	track rod		2							
9	-	see illustrations 4/01/00 POS.2									
10	900 378 100 01	hexagon-head bolt AM 10 X 45		2							
11	999 084 449 09	hexagon nut M 12 X 1,5		2							

Model	Year	MG	SG	Illustration	Restrictions	UPD	18:17	26.01.2010	PORSCHE	PET	PORSCHE
GT3-1	2005	4	03	403-01		248					

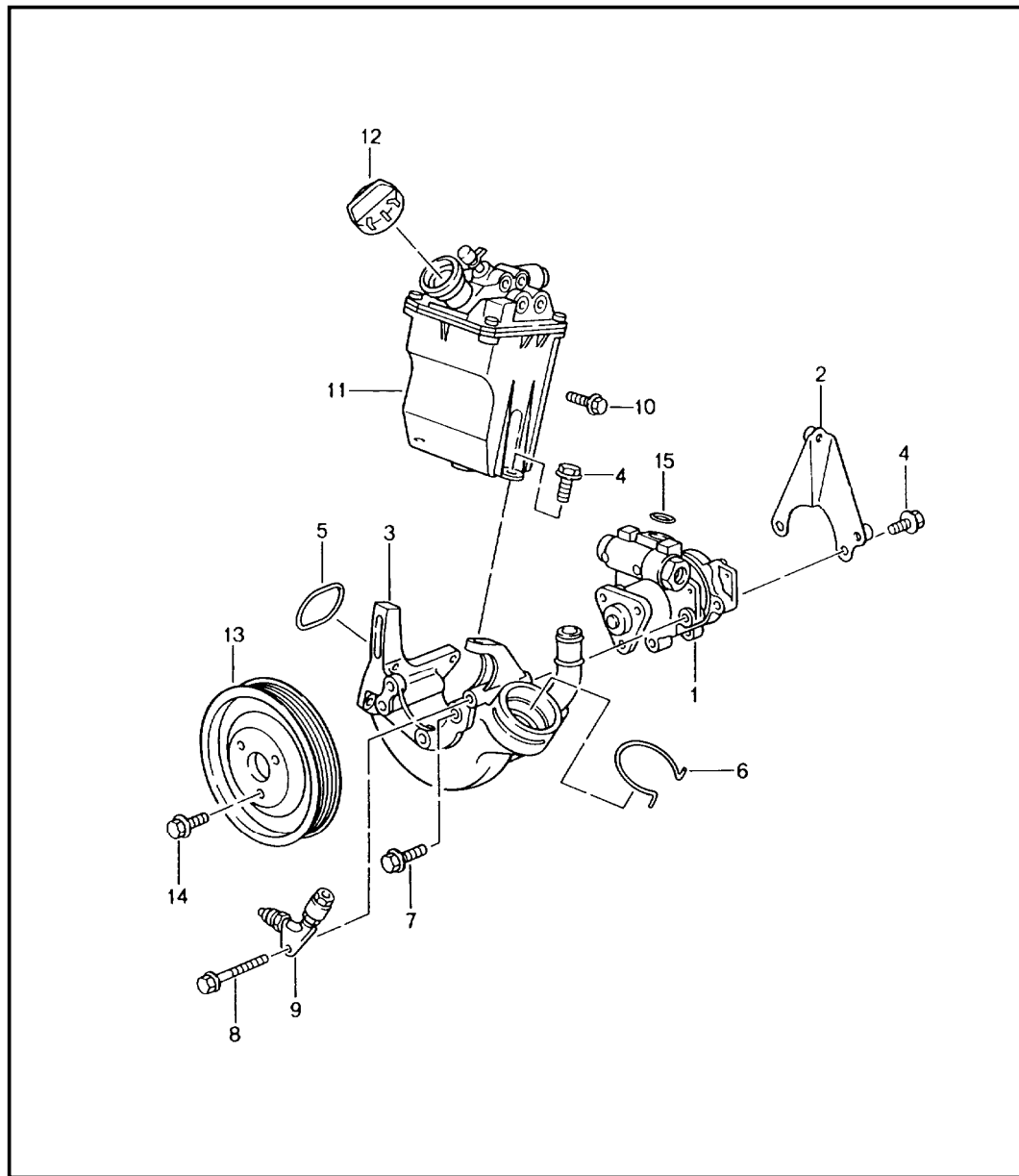


Pos	Part Number	Description	Remark	Qty	Model
		power steering lines			
1	996 347 451 27	pressure line	/LL	99	1
(1)	996 347 451 08	pressure line	/LL	01	1
(1) A	996 347 451 09	pressure line	/LL	02	1
(1)	996 347 451 10	pressure line	/LL	04-	1
(1)	996 347 452 04	pressure line	/RL		1
(2)	996 347 449 27	return line	/LL	99	1
(2)	996 347 449 06	return line	/LL	01	1
(2)	996 347 449 09	return line	/LL	02-	1
(2)	996 347 450 03	return line	/RL	-01	1
(2)	996 347 450 06	return line	/RL	02-	1
3	996 347 543 00	support			X
4	996 355 543 00	support			1
-	996 347 674 00	support pressure line return line	/RL		1
5 A	996 347 539 51	return line			1
(5)	996 347 539 52	return line centre F	>>994S6 91629		1
(5)	996 347 439 50	return line centre F 994S6 91630>>			1
6	996 347 545 51	pressure line centre		-01	1
(6)	996 347 545 52	pressure line centre F	>>994S6 91629		02- 1
(6)	996 347 445 50	pressure line centre F 994S6 91630>>			1
7	996 347 549 01	support			2
(8)	996 347 443 52	pressure hose rear		99	1

Model	Year	MG	SG	Illustration	Restrictions	UPD	18:17	26.01.2010	PORSCHE	PET	PORSCHE
GT3-1	2005	4	03	403-01		248					

Pos	Part Number	Description	Remark	Qty	Model	Pos	Part Number	Description	Remark	Qty	Model
(8)	996 347 443 53	pressure line rear F >>994S6 91629	00-	1		18	999 230 542 40	o-ring		1	
(9)	996 347 441 52	return line rear F >>994S6 91629		1		19	999 507 575 40	support 9,0/13,0		1	
-	999 230 551 10	threaded joint NW 10 F >>994S6 91629		1		20	997 347 544 00	support		1	
-	999 230 552 10	threaded joint NW 6 F >>994S6 91629		1							
10	996 347 439 50	return line F 994S6 91630>>		1							
11	996 347 445 50	pressure line F 994S6 91630>>		1							
12	996 347 769 01	support		1							
13	900 067 063 02	pan-head screw M 10 X 20		1							
14	996 347 551 01	retainer plate mount pressure line return line power steering		1							
-	996 347 671 01	support left	/RL	1							
-	996 347 672 01	support right	/RL	1							
-	996 347 547 00	support lines mount body		1							
-	997 347 544 00	support lines mount bracket		1							
15	999 230 539 10	threaded joint		1							
16	999 230 540 10	threaded joint		1							
17	999 230 543 40	repair kit gaskets		1							

Model	Year	MG	SG	Illustration	Restrictions	UPD	18:17	26.01.2010	PORSCHE	PET	PORSCHE
GT3-1	2005	4	03	403-03		248					

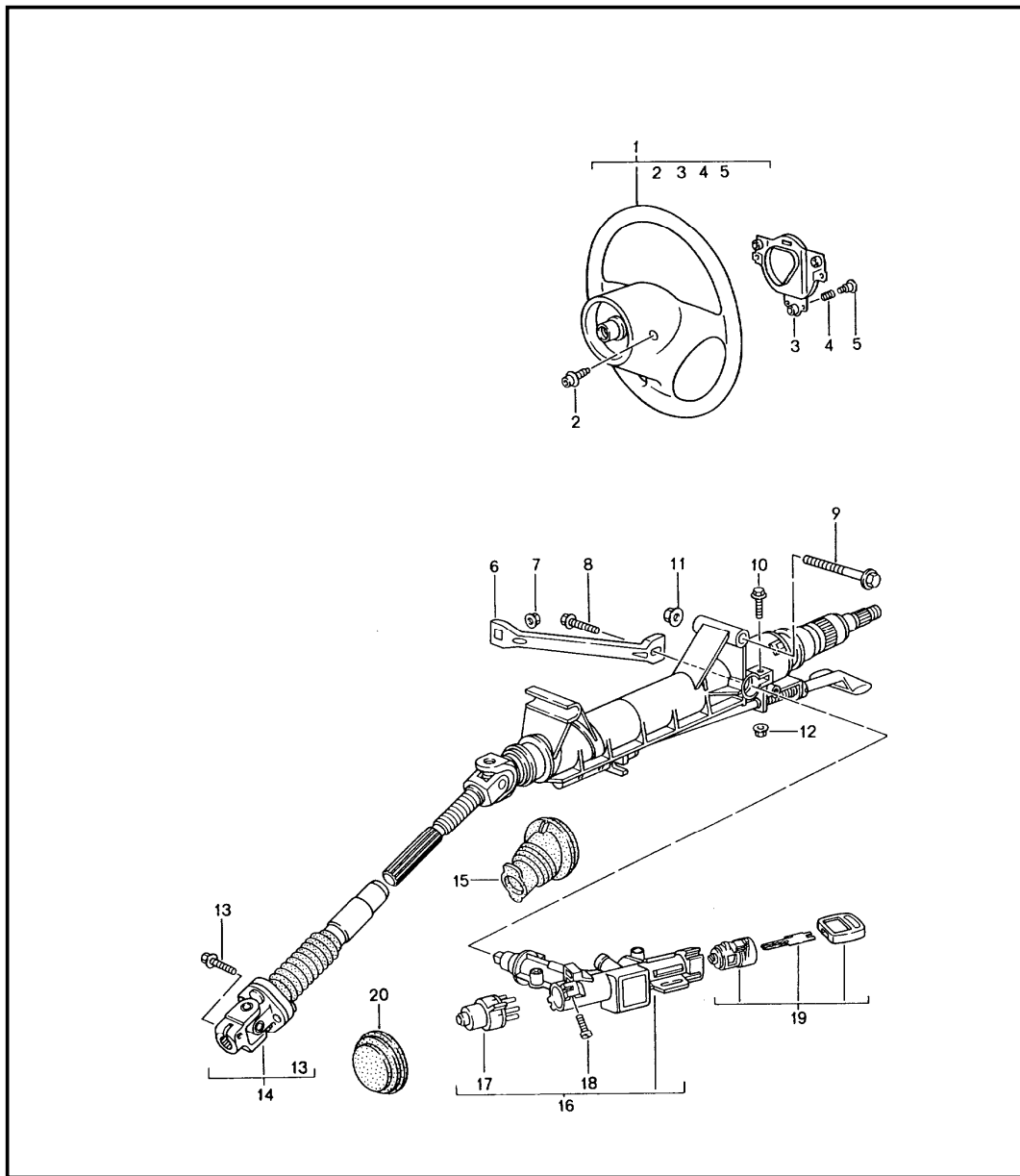


Pos	Part Number	Description	Remark	Qty	Model
		power steering power-steering pump container			
1	> 996 314 050 51	power-steering pump		1	
2	996 314 431 52	bracket	-02	1	
(2)	996 314 431 53	bracket	04-	1	
3	996 314 091 02	bracket	-02	1	
(3)	996 314 091 04	bracket	04-	1	
4	900 378 074 09	hexagon-head bolt M 8 X 16		4 1	
5	999 707 298 40	o-ring		1	
6	996 106 802 10	retainer spring		1	
7	900 378 022 09	hexagon-head bolt M 8 X 25		3	
8	900 378 078 09	hexagon-head bolt M 6 X 80		1	
9	996 347 643 52	pressure line	-01	1	
-	999 707 355 40	sealing ring 7,65 x 1,65		1	
9	996 347 643 53	pressure line	02-	1	
-	999 707 503 40	sealing ring 7,8 x 1,7		1	
10	900 378 035 01	hexagon-head bolt M 6 X 16		1	
11	996 314 220 51	container	-01	1	
(11)	997 314 920 50	container	02-	1	
-	996 314 331 00	drip pan for pentosin		1	
12	996 314 223 51	lid		1	
-	999 701 154 40	sealing ring 33 X 2,4		1	
13	996 147 223 71	pulley		1	
14	900 378 123 09	hexagon-head bolt M 8 X 12		3	

Model	Year	MG	SG	Illustration	Restrictions	UPD	18:17	26.01.2010	PORSCHE	PET	PORSCHE
GT3-1	2005	4	03	403-03		248					

Pos	Part Number	Description	Remark	Qty	Model	Pos	Part Number	Description	Remark	Qty	Model
15	999 707 204 40	sealing ring 12.5 X 2N		1							
-	000 043 203 33	pentosin 1000 ML		X							

Model	Year	MG	SG	Illustration	Restrictions	UPD	18:17	26.01.2010	PORSCHE	PET	PORSCHE
GT3-1	2005	4	03	403-05		248					

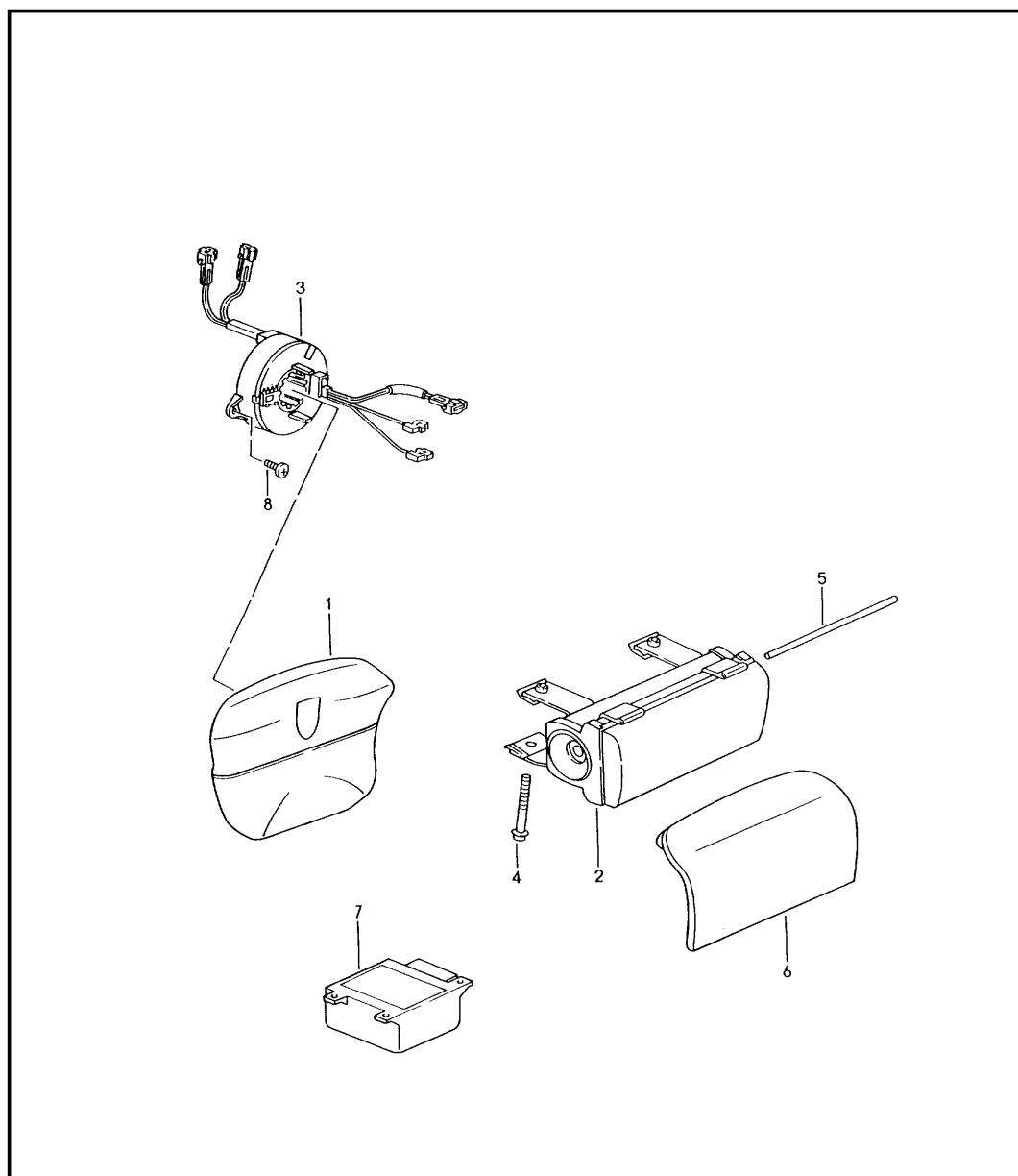


Pos	Part Number	Description	Remark	Qty	Model
		steering outer tube steering shaft steering wheels			
1	996 347 804 54	steering wheel		1	
	A28	black			
	D11	dark grey/natural	04-		
	T11	brown/natural	04-		
(1)	996 347 804 90	steering wheel decorative stitching red	04-	1	M004
(1)	996 347 804 91	steering wheel decorative stitching blue	04-	1	M004
(1)	996 347 983 00	steering wheel		1	IXPA
	A28	black	01-		
	D11	dark grey/natural	04-		
	T11	brown/natural	04-		
(1)	996 347 983 12	steering wheel		1	IXPD
	A28	black	01-		
	D11	dark grey/natural	04-		
	T11	brown/natural	04-		
(1)	996 347 983 28	steering wheel	04-	1	IXPG
	A28	black			
	D11	dark grey/natural			
	T11	brown/natural			
		mount steering wheel steering shaft			
-	N 012 238 1	spring washer B 16		1	
-	900 078 006 01	hexagon nut M 16 X 1,5		1	
2	999 073 183 02	pan-head screw M 6 X 10,5		2	

Model	Year	MG	SG	Illustration	Restrictions	UPD	18:17	26.01.2010	PORSCHE	PET	PORSCHE
GT3-1	2005	4	03	403-05		248					

Pos	Part Number	Description	Remark	Qty	Model	Pos	Part Number	Description	Remark	Qty	Model
3	996 347 880 02	retaining frame		1		19	996 347 917 01	lock cylinder with stipulated lock number		1	
4	999 521 079 02	compression spring		3		(19)	996 347 915 01	lock cylinder w/o stipulated lock number		1	
5	999 073 184 02	round head screw M 5 X 18,7		3		20	996 347 339 02	rubber seal		1	
6	996 347 243 01	strut		1							
7	999 076 055 09	hexagon nut M 8		1							
8	900 378 055 09	hexagon-head bolt AM 8 X 40		1							
9	900 378 095 09	hexagon-head bolt M 10 X 100		1							
10	900 378 157 09	hexagon-head bolt AM 6 X 25		1							
11 A	900 380 008 09	hexagon nut M 10		1							
11	900 380 008 01	hexagon nut M 10		1							
12	900 377 002 02	hexagon nut M 6		1							
13	999 217 042 09	hexagon-head bolt M 8 X 35		1							
14	996 347 007 05	steering column complete with steering shaft		1							
15	986 347 037 01	bellows		1							
16	996 347 017 06	steering lock housing	-02	1							
(16)	996 347 017 07	steering lock housing see technical information group 2 NR.4/03	04-	1							
17	4A0 905 849 B	ignition starter switch	-02	1							
(17)	4B0 905 849	ignition starter switch see technical information group 2 NR.4/03	04-	1							
18	996 347 901 00	slotted screw		2							

Model	Year	MG	SG	Illustration	Restrictions	UPD	18:18	26.01.2010	PORSCHE	PET	PORSCHE
GT3-1	2005	4	03	403-06		248					

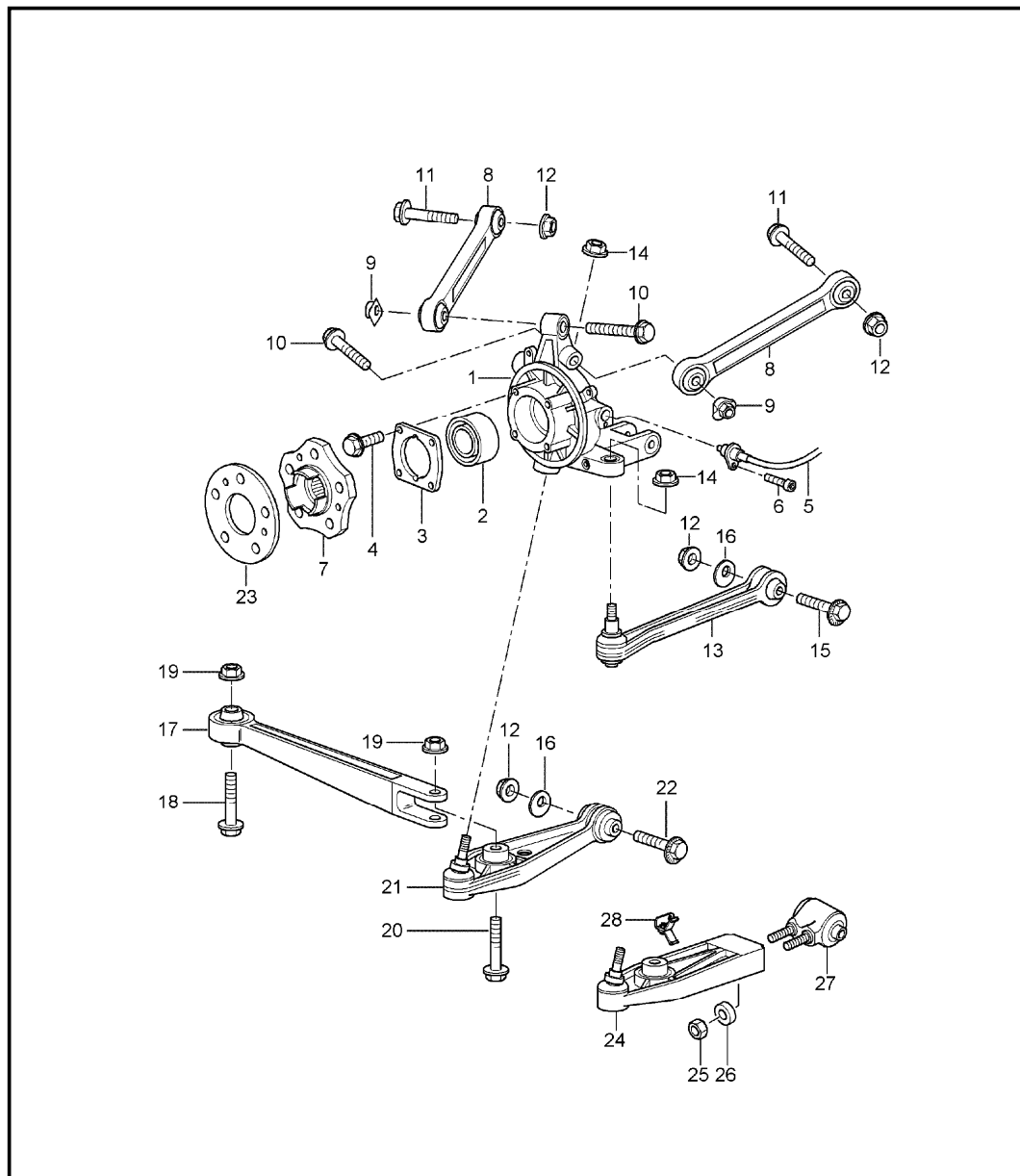


Pos	Part Number	Description	Remark	Qty	Model
1	996 803 089 02	airbag unit 3-spoke steering wheel plastic material 8YR black	-99	1	
(1)	996 803 089 02	airbag unit 3-spoke steering wheel plastic material A28 black D11 dark grey/natural T11 brown/natural	01-	1	
(1)	996 803 980 03	airbag unit 3-spoke steering wheel leather crest silver 8YR black	00	1	IXPA/XPD
(1)	996 803 980 01	airbag unit 3-spoke steering wheel leather crest coloured A28 black	01-02	1	IXPA/XPD
(1)	996 803 980 01	airbag unit 3-spoke steering wheel leather crest coloured A28 black D11 dark grey/natural T11 brown/natural	04-	1	IXPA/XPD IXPG
2	A 996 803 071 06	airbag unit	-01	1	
(2)	A 996 803 071 07	airbag unit see technical information GR.6 NR.2/03	-02	1	
(2)	996 803 071 08	airbag unit see technical information GR.6 NR.2/03	04-	1	
-	996 803 091 00	airbag unit	/L	1	M563

Model	Year	MG	SG	Illustration	Restrictions	UPD	18:18	26.01.2010	PORSCHE	PET	PORSCHE
GT3-1	2005	4	03	403-06		248					

Pos	Part Number	Description	Remark	Qty	Model	Pos	Part Number	Description	Remark	Qty	Model
-	996 803 092 00	airbag unit	/R	1	M563						
-	900 378 222 09	hexagon-head bolt M 6 X 16		8	M563						
3	996 652 211 00	support for contact		1							
4	900 378 137 09	hexagon-head bolt AM 8 X 95		2							
5	996 803 611 00	hinge pin		1							
6	996 803 173 04	lid leatherette		1							
	A18	black	00								
	A12	black	01-								
(6)	996 803 173 05	lid leather		1							
	A11	black									
	D12	dark grey/natural	04-								
	T12	brown/natural	04-								
7	996 618 217 01	switch unit		1	M562						
-	900 377 010 09	nut M 6		1	M562						
-	999 084 635 02	shear-off nut M 6		2	M562						
(7)	996 618 219 01	switch unit	-02	1	M562/563						
(7)	996 618 219 02	switch unit	04-	1	M562/563						
-	900 377 010 09	nut M 6		1	M562/563						
-	944 618 401 00	nut M 6		2	M562/563						
-	996 618 221 00	sensor airbag	-01	2	M563						
-	996 618 221 01	sensor airbag	02-	2	M563						
-	999 073 152 09	oval-head screw M 6 X 18		4	M563						
8	900 146 024 07	oval-head screw M 5 X 8		2							

Model	Year	MG	SG	Illustration	Restrictions	UPD	18:18	26.01.2010	PORSCHE	PET	PORSCHE
GT3-1	2005	5	01	501-00		248					

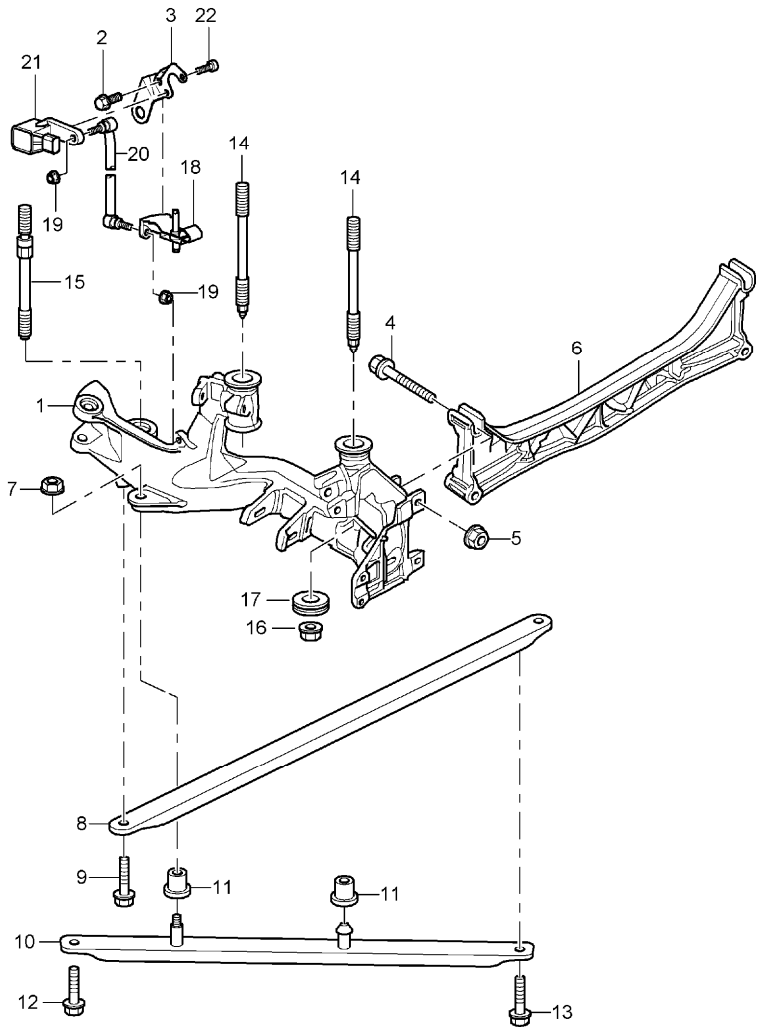


Pos	Part Number	Description	Remark	Qty	Model
		rear axle wheel carrier control arm wheel hub			
1	996 331 111 06	wheel carrier	/L	1	
(1)	996 331 111 90	wheel carrier	/L 04-	1	M004
(1)	996 331 112 06	wheel carrier	/R	1	
(1)	996 331 112 90	wheel carrier	/R 04-	1	M004
2	999 053 055 02	angular-contact bearing		2	
3	996 331 661 01	lid		2	
(3) A	996 341 661 90	lid	04-	2	M004
(3)	997 341 661 90	lid	04-	2	M004
4	999 217 042 09	hexagon-head bolt M 8 X 35		8	
(4)	999 217 042 09	hexagon-head bolt M 8 X 35	04-	12	M004
5	996 606 406 00	speed sensor	-02	2	
(5)	996 606 407 02	speed sensor	04-	2	
6	900 067 117 09	pan-head screw M 6 X 16		2	
7	997 331 605 00	wheel hub		2	
8	996 331 047 02	wishbone	-01	2	
8	996 331 047 03	wishbone	02	2	
(8)	996 331 047 05	wishbone	04-	2	
9	999 084 452 09	hexagon nut M 12 X 1,5		4	
10 A	900 378 139 09	hexagon-head bolt M 12 X 80		4	
10	900 378 139 01	hexagon-head bolt M 12 X 80		4	
11	900 378 088 09	hexagon-head bolt M 12 X 100		4	
12	999 084 445 09	hexagon nut M 12 X 1,5		10	

Model	Year	MG	SG	Illustration	Restrictions	UPD	18:18	26.01.2010	PORSCHE	PET	PORSCHE
GT3-1	2005	5	01	501-00		248					

Pos	Part Number	Description	Remark	Qty	Model	Pos	Part Number	Description	Remark	Qty	Model
13	A 996 331 045 10	track rod		1		28	996 331 551 90	support	04-	1	/601 M004
(13)	997 331 045 04	track rod		1							
14	999 084 449 09	hexagon nut M 12 X 1,5		4							
15	993 331 217 80	eccentric screw M 12 X 83		2							
16	993 331 219 80	eccentric washer		2							
17	996 341 043 06	control arm		2							
18	900 378 051 09	hexagon-head bolt M 14 X 100		2							
19	A 900 380 012 09	hexagon nut M 14 X 1,5		4							
19	900 380 012 01	hexagon nut M 14 X 1,5		4							
20	A 900 378 135 09	hexagon-head bolt M 14 X 75		2							
20	900 378 135 01	hexagon-head bolt M 14 X 75		2							
21	A 996 341 053 07	wishbone		-02	2						
(21)	996 341 053 16	wishbone		04-	2						
-	996 331 127 90	spoiler wishbone	/L	04-	1						
-	996 331 128 90	spoiler wishbone	/R	04-	1						
22	996 331 217 03	eccentric screw		2							
23	997 361 605 90	spacer 5 MM		-02	2						
24	K 996 341 121 90	wishbone	/L	04-	1	M004					
(24)	K 996 341 122 90	wishbone	/R	04-	1	M004					
25	900 076 025 02	hexagon nut M 8		04-	2	M004					
26	999 025 269 02	washer 8,5 X 17 X 6		04-	2	M004					
27	K 996 341 441 90	bearing flange wishbone		04- 04-	2	M004 M004					

Model	Year	MG	SG	Illustration	Restrictions	UPD	18:18	26.01.2010	PORSCHE	PET	PORSCHE
GT3-1	2005	5	01	501-01		248					

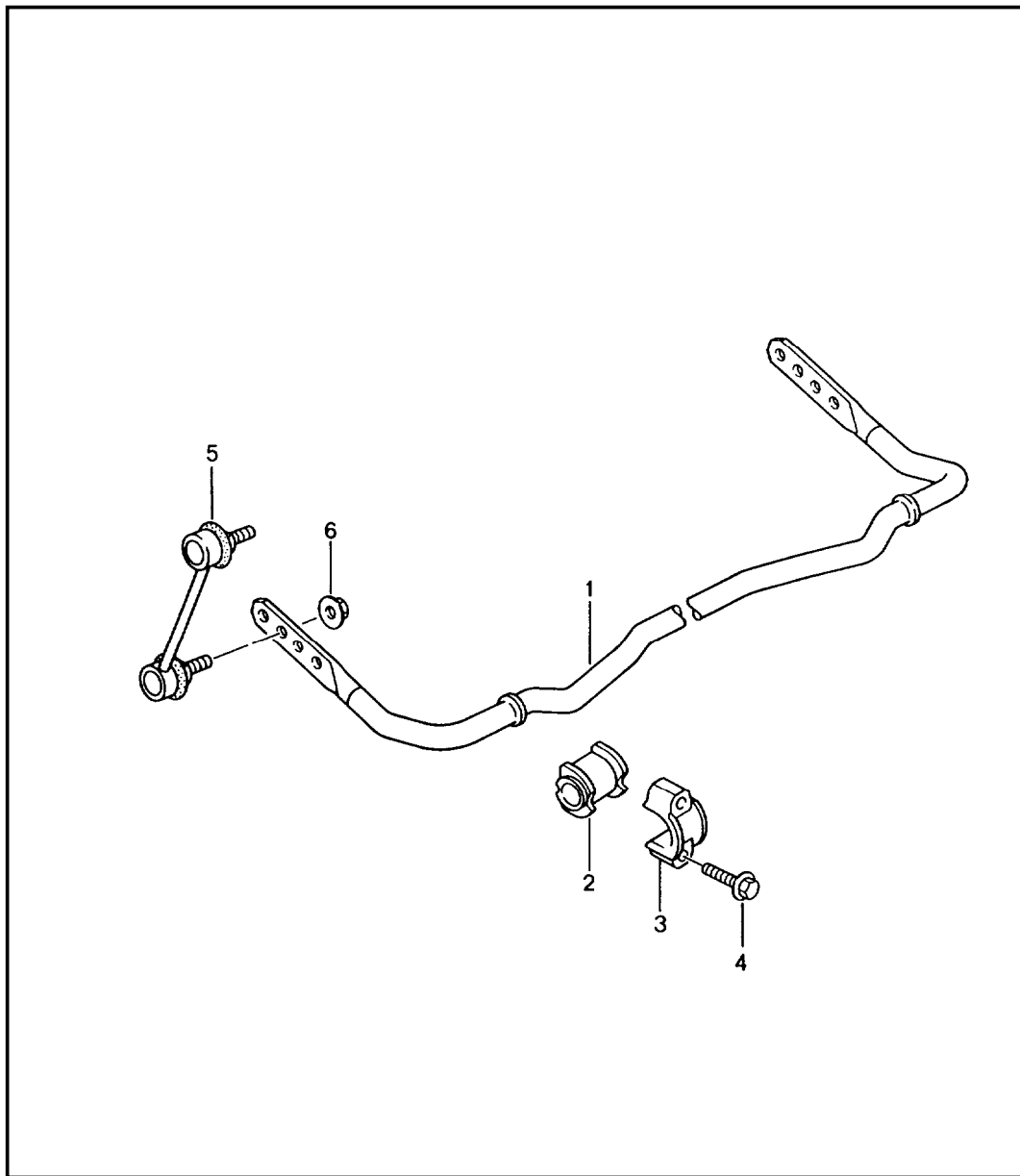


Pos	Part Number	Description	Remark	Qty	Model
		rear axle side section bracket			
1	A 996 331 051 91	side section	/L	-02	1
(1)	K 996 331 055 90	side section	/L	04-	1
(1)	996 331 051 92	side section	/L	04-	1 M004
(1)	A 996 331 052 91	side section	/R	-02	1
(1)	K 996 331 056 90	side section	/R	04-	1
(1)	996 331 052 92	side section	/R	04-	1 M004
2	900 067 117 09	combination screw M 6 X 16			2
3	996 355 505 04	support for brake hose	/L		1
(3)	996 355 506 02	support for brake hose F	/R		1
(3)	997 355 506 02	support for brake hose F 994S6 91629	/R		1
4	A 900 378 139 09	combination screw M 12 X 80			4
4	900 378 139 01	combination screw M 12 X 80			4
5	999 084 445 09	hexagon nut M 12 X 1,5			4
6	A 996 331 261 07	cross member		-01	1
(6)	997 331 261 02	cross member		02-	1
7	999 076 053 09	hexagon nut M 10			2
8	996 331 171 03	transverse strut front			1
9	A 999 072 031 09	hexagon-head bolt M 10 X 40			2
9	999 072 031 01	hexagon-head bolt M 10 X 40			2

Model	Year	MG	SG	Illustration	Restrictions	UPD	18:18	26.01.2010	PORSCHE	PET	PORSCHE
GT3-1	2005	5	01	501-01		248					

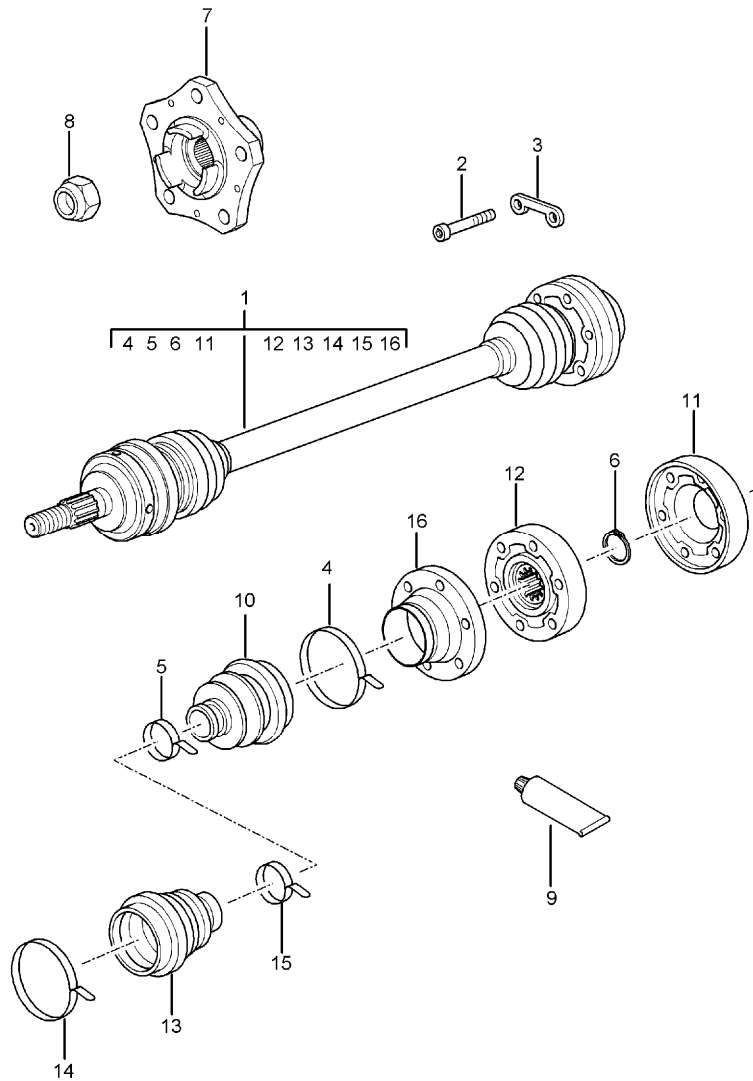
Pos	Part Number	Description	Remark	Qty	Model	Pos	Part Number	Description	Remark	Qty	Model
-	900 223 011 02	washer 10,5 X 25 X 4		2							
10	A 996 331 081 02	strut	-04	2							
(10)	997 331 081 02	strut		2							
11	996 331 385 00	rubber mounting		6							
12	999 072 020 09	hexagon-head bolt M 10 X 40		2							
13	A 900 378 072 09	hexagon-head bolt M 12 X 30		2							
13	900 378 072 01	hexagon-head bolt M 12 X 30		2							
14	999 061 102 09	stud M 12 X 1,5		4							
15	A 999 061 103 09	stud M 12 X 1,5		2							
15	999 061 103 01	stud M 12 X 1,5		2							
16	999 084 445 09	hexagon nut M 12 X 1,5		6							
(17)	996 331 235 90	bush lower		6							
17	996 331 233 91	bush upper		6							
18	996 341 371 03	support	04-	1	M601						
19	A 900 380 015 09	hexagon nut	04-	1	M601						
19	900 380 015 01	hexagon nut	04-	1	M601						
20	996 331 375 01	strut	04-	1	M601						
21	996 631 121 00	sensor	04-	1	M601						
22	N 014 129 12	oval-head screw M 5 X 10	04-	2	M601						

Model	Year	MG	SG	Illustration	Restrictions	UPD	18:18	26.01.2010	PORSCHE	PET	PORSCHE
GT3-1	2005	5	01	501-03		248					



Pos	Part Number	Description	Remark	Qty	Model
		stabiliser			
1	996 333 701 90	stabiliser		1	
2	996 333 792 21	stabiliser mounting	99	2	
(2)	996 333 792 26	stabiliser mounting	01-	2	
3	996 333 777 01	bearing clamp		2	
4	900 378 055 09	hexagon-head bolt AM 8 X 40		4	
5 A	996 333 069 90	stabiliser mounting		2	
(5)	996 333 069 91	stabiliser mounting		2	
6	999 084 624 09	hexagon nut M 10		2	

Model	Year	MG	SG	Illustration	Restrictions	UPD	18:18	26.01.2010	PORSCHE	PET	PORSCHE
GT3-1	2005	5	01	501-05		248					



Pos	Part Number	Description	Remark	Qty	Model
		drive shaft wheel hub			
1	996 332 024 10	drive shaft		2	
2	A 900 067 123 09	pan-head screw M 10 X 50		12	
2	900 067 123 02	pan-head screw M 10 X 50		12	
3	993 332 191 00	plate	-02	6	
(3)	996 332 191 00	plate	04-	6	
4	911 332 257 00	clip \$ 73 MM		2	
5	928 332 257 01	clip \$ 34 MM		2	
6	900 041 014 00	circlip		2	
7	997 331 605 00	wheel hub		2	
8	999 084 641 02	lock nut M 22 X 1,5	-02	2	
(8)	999 084 641 02	lock nut M 22 X 1,5	04-	2	
9	000 043 110 00	grease 1 100-gramme tube		X	
(9)	000 043 205 36	sealing compound drive shaft 1 100-gramme tube		X	
10	928 332 293 02	dust bellows		2	
11	A 928 332 267 01	lid		2	
11	997 332 267 00	lid		2	
12	928 332 030 08	joint		2	
13	928 332 293 02	dust bellows		2	
14	911 332 257 00	clip		2	
15	928 332 257 01	clip		2	
16	911 332 259 01	bellow support		2	

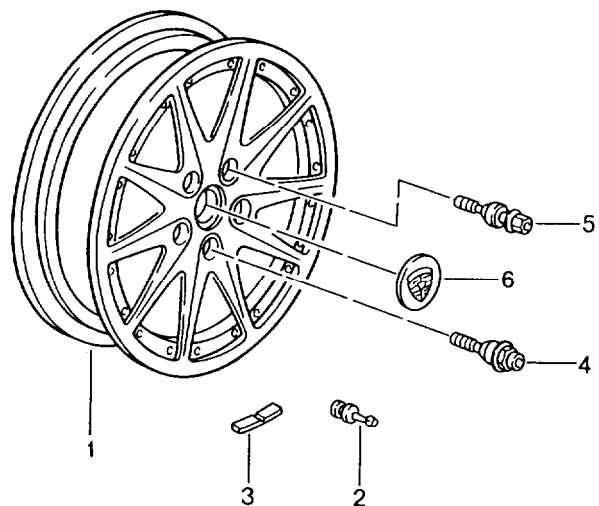
Model	Year	MG	SG	Illustration	Restrictions	UPD	18:19	26.01.2010	PORSCHE	PET	PORSCHE
GT3-1	2005	5	02	502-00		248					

Pos	Part Number	Description	Remark	Qty	Model
		shock absorber coil spring			
1	996 333 051 91	shock absorber - bilstein -	-02	2	
(1)	996 333 051 95	shock absorber - bilstein -	04-	2	
(1)	996 333 051 97	shock absorber - bilstein -	04-	2	M004
		mount shock absorber			
- A	900 378 138 09	hexagon-head bolt M 12 X 1,5 X 70		2	
-	900 378 138 01	hexagon-head bolt M 12 X 1,5 X 70		2	
-	999 084 445 09	hexagon nut M 12 X 1,5		2	
2	996 333 105 90	additional spring	-02	2	
(2)	996 333 105 93	additional spring	04-	2	
3	996 333 531 91	coil spring	-02	1	
	504	1 set			
(3)	996 333 531 95	coil spring	04-	1	
	504	1 set			
4	999 025 240 02	washer 12,1 X 25 X 3		2	
5	996 333 059 03	supporting mount		2	
-	996 333 551 90	rubber support see technical information group 4 NR.6-1		2	
6	996 333 529 90	spring hanger	-02	4	
(6)	996 333 529 92	spring hanger	04-	4	
7	996 333 107 00	washer		4	
8	999 084 445 09	hexagon nut M 12X 1,5		2	
9 A	900 380 008 09	hexagon nut M 10		6	

Model	Year	MG	SG	Illustration	Restrictions	UPD	18:19	26.01.2010	PORSCHE	PET	PORSCHE
GT3-1	2005	5	02	502-00		248					

Pos	Part Number	Description	Remark	Qty	Model	Pos	Part Number	Description	Remark	Qty	Model
9	900 380 008 01	hexagon nut M 10		6							

Model	Year	MG	SG	Illustration	Restrictions	UPD	18:19	26.01.2010	PORSCHE	PET	PORSCHE
GT3-1	2005	6	01	601-00		248					



Pos	Part Number	Description	Remark	Qty	Model
		wheels			
1	996 362 136 50	disc wheel 8 J X 18 ET 52	/V	-02	2
(1)	996 362 136 05	disc wheel 8,5 J X 18 ET 40	/V	04-	2 M416
(1)	996 362 136 08	disc wheel 8,5 J X 18 ET 40 wheel spoke red lacquered	/V	04-	2 M004/597
(1)	996 362 136 09	disc wheel 8,5 J X 18 ET 40 wheel spoke blue lacquered	/V	04-	2 M004/598
(1)	996 362 140 50	disc wheel 10 J X 18 ET 65	/H	-02	2
(1)	996 362 142 04	disc wheel 11 J X 18 ET 63	/H	04-	2 M416
(1)	996 362 142 08	disc wheel 11 J X 18 ET 63 wheel spoke red lacquered	/H	04-	2 M004/597
(1)	996 362 142 09	disc wheel 11 J X 18 ET 63 wheel spoke blue lacquered	/H	04-	2 M004/598
(1)	996 362 140 02	disc wheel 10 J X 18 ET 47 for winter use see technical information 5/03 NR.4440	/H	04-	2
(2)	900 265 001 50	valve use also: 993.361.163.90			4

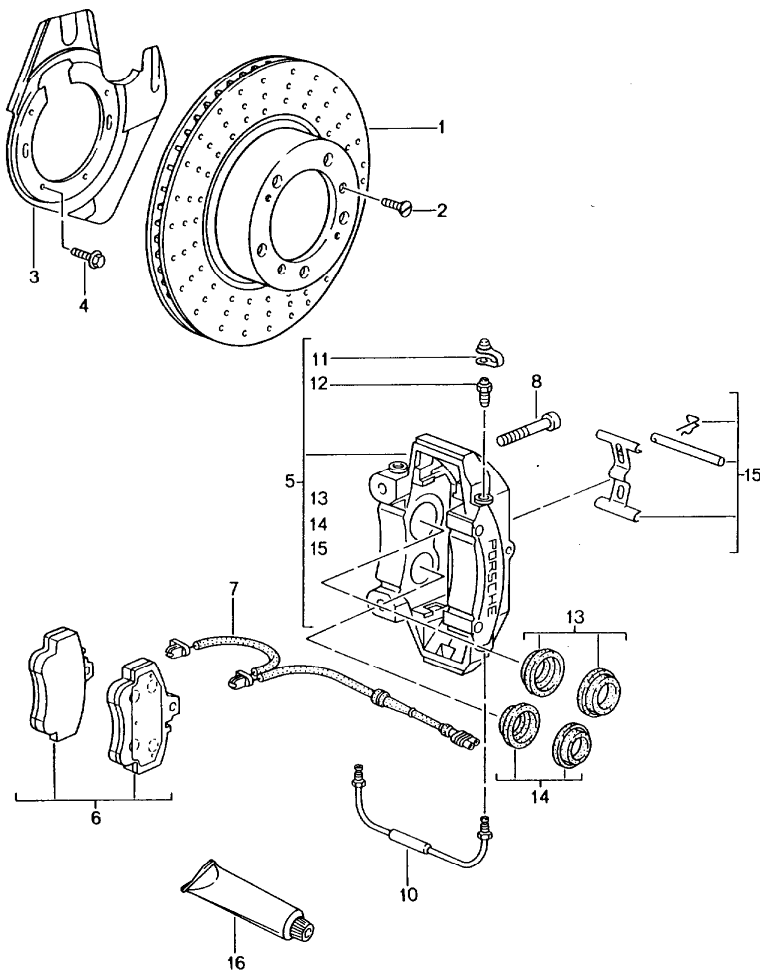
Model	Year	MG	SG	Illustration	Restrictions	UPD	18:19	26.01.2010	PORSCHE	PET	PORSCHE
GT3-1	2005	6	01	601-00		248					

Pos	Part Number	Description	Remark	Qty	Model	Pos	Part Number	Description	Remark	Qty	Model
-	993 361 163 90	cap for valve		4		(3)	901 361 414 00	balance stick-on weight 50 G.	-02	X	
(3)	901 361 410 50	balance stick-on weight 5 G.	-02	X		(3)	1K0 601 188 C	balance stick-on weight 50 G.	04-	X	
(3)	1K0 601 178 C	balance stick-on weight 5 G.	04-	X		(3)	901 361 415 50	balance stick-on weight 55 G.	-02	X	
(3)	901 361 410 00	balance stick-on weight 10 G.	-02	X		(3)	1K0 601 189 C	balance stick-on weight 55 G.	04-	X	
(3)	1K0 601 179 C	balance stick-on weight 10 G.	04-	X		(3)	901 361 415 00	balance stick-on weight 60 G.	-02	X	
(3)	901 361 411 50	balance stick-on weight 15 G.	-02	X		(3)	1K0 601 190 C	balance stick-on weight 60 G.	04-	X	
(3)	1K0 601 181 C	balance stick-on weight 15 G.	04-	X		(3)	997 361 465 00	balance stick-on weight 65 G.		X	
(3)	901 361 411 00	balance stick-on weight 20 G.	-02	X		(3)	997 361 470 00	balance stick-on weight 70 G.		X	
(3)	1K0 601 182 C	balance stick-on weight 20 G.	04-	X		(3)	997 361 475 00	balance stick-on weight 75 G.		X	
(3)	901 361 412 50	balance stick-on weight 25 G.	-02	X		(3)	997 361 480 00	balance stick-on weight 80 G.		X	
(3)	1K0 601 183 C	balance stick-on weight 25 G.	04-	X		(3)	997 361 485 00	balance stick-on weight 85 G.		X	
(3)	901 361 412 00	balance stick-on weight 30 G.	-02	X		(3)	997 361 490 00	balance stick-on weight 90 G.		X	
(3)	1K0 601 184 C	balance stick-on weight 30 G.	04-	X		(4) A	996 361 057 90	wheel bolt anti-theft protection 1 set	-02	1	
(3)	901 361 413 50	balance stick-on weight 35 G.	-02	X		(4)	996 361 980 02	wheel bolt anti-theft protection 1 set	-02	1	
(3)	1K0 601 185 C	balance stick-on weight 35 G.	04-	X		(4) A	996 361 057 02	wheel bolt anti-theft protection 1 set	04-	1	
(3)	901 361 413 00	balance stick-on weight 40 G.	-02	X		(4)	997 361 057 02	wheel bolt anti-theft protection 1 set	04-	1	
(3)	1K0 601 186 C	balance stick-on weight 40 G.	04-	X		5 A	996 361 203 90	wheel bolt see technical information group 4 NR.10/03	-02	16	
(3)	901 361 414 50	balance stick-on weight 45 G.	-02	X							
(3)	1K0 601 187 C	balance stick-on weight 45 G.	04-	X							

Model	Year	MG	SG	Illustration	Restrictions	UPD	18:19	26.01.2010	PORSCHE	PET	PORSCHE
GT3-1	2005	6	01	601-00		248					

Pos	Part Number	Description	Remark	Qty	Model	Pos	Part Number	Description	Remark	Qty	Model
(5)	996 361 980 00	wheel bolt see technical information group 4 NR.10/03	-02	16		- A	996 362 020 02	emergency wheel		X	
						-	996 362 020 04	emergency wheel		X	
(5) A	996 361 203 01	wheel bolt see technical information group 4 NR.10/03	04-	16							
(5)	996 361 203 02	wheel bolt see technical information group 4 NR.10/03	04-	16							
6 A	993 361 303 05	hub cap	-99	4							
	61M	silver									
(6) A	993 361 303 11	hub cap	-02	4							
	61M	silver									
(6)	993 361 303 11	hub cap	02	4							
	9A1	silver									
(6)	996 361 303 91	hub cap	04-	4							
	9A1	silver									
(6) A	993 361 303 09	hub cap		4							
	92T	arctic silver metallic crest coloured									
(6)	993 361 303 10	hub cap		4							
	9A1	silver crest coloured									
(6)	996 361 303 92	hub cap red	04-	4	M004/597						
(6)	996 361 303 94	hub cap blue	04-	4	M004/598						
-	911 722 201 02	tyre pressure gauge		1							
-	999 915 631 40	compressed air bottle with sealing compound		1							
-	997 652 051 00	compressor		1							

Model	Year	MG	SG	Illustration	Restrictions	UPD	18:19	26.01.2010	PORSCHE	PET	PORSCHE
GT3-1	2005	6	02	602-00		248					



Pos	Part Number	Description	Remark	Qty	Model
		disc brake front axle			
		see technical information group 4 NR.3/03			
		brake disc only in pairs replace technical manual attention			M450
1	996 351 409 91	brake disc	/L	-02	1
(1)	996 351 409 9H	brake disc	/L	04-	1
(1) >	996 351 031 92	brake disc	/L	04	1 M450
(1) >	996 351 031 93	brake disc	/L	05-	1 M450
(1)	996 351 410 91	brake disc	/R	-02	1
(1)	996 351 410 9H	brake disc	/R	04-	1
(1) >	996 351 032 92	brake disc	/R	04	1 M450
(1) >	996 351 032 93	brake disc	/R	05-	1 M450
2	A 900 269 106 09	countersunk-head screw M 6 X 16		-02	2
2	900 269 106 01	countersunk-head screw M 6 X 16			2
(2) A	900 269 047 09	countersunk-head screw M 6 X 12		04-	2
(2)	900 269 047 01	countersunk-head screw M 6 X 12		04-	2
3	996 351 801 04	protective plate	/L	-02	1
(3)	996 351 801 30	protective plate	/L	04-	1
(3)	996 351 802 04	protective plate	/R	-02	1
(3)	996 351 802 30	protective plate	/R	04-	1
(3)	996 351 801 90	protective plate upper	/L	04-	1 M004
-	996 351 813 90	protective plate lower	/L	04-	1 M004
-	996 351 815 90	air baffle plate	/L	04-	1 M004

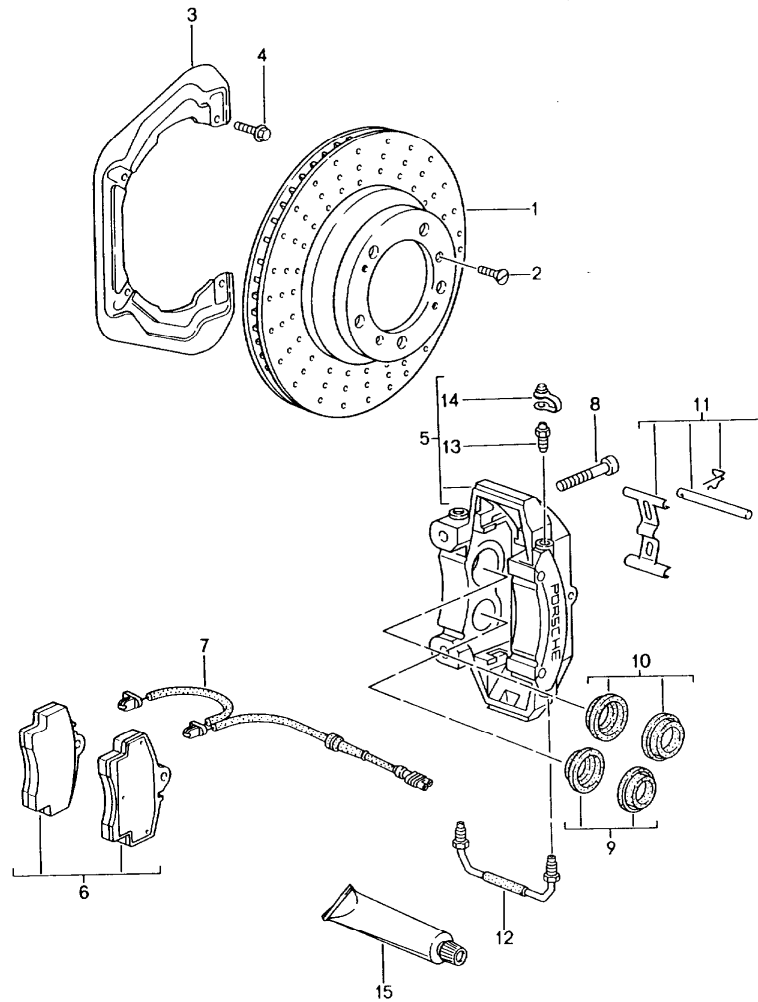
Model	Year	MG	SG	Illustration	Restrictions	UPD	18:19	26.01.2010	PORSCHE	PET	PORSCHE
GT3-1	2005	6	02	602-00		248					

Pos	Part Number	Description	Remark	Qty	Model	Pos	Part Number	Description	Remark	Qty	Model	
(3)	996 351 802 90	protective plate upper	/R 04-	1	M004	-	944 612 627 00	line bracket for warning contact		2		
-	996 351 814 90	protective plate lower	/R 04-	1	M004	8	999 067 042 09	pan-head screw M 12 X 1,5 X 77	-02	4		
-	996 351 816 90	air baffle plate	/R 04-	1	M004	(8)	999 067 047 09	pan-head screw M 12 X 1,5 X 85	04-	4		
4	999 217 116 09	hexagon-head bolt M 6 X 16		X		10	996 351 961 11	connecting line	/L	1		
5	996 351 429 10	fixed calliper without pad	/L -02	1		(10)	996 351 961 30	connecting line	/L 04-	1	M450	
(5)	996 351 431 90	fixed calliper without pad	/L 04-	1		(10)	996 351 962 11	connecting line	/R	1		
(5)	996 351 431 30	fixed calliper without pad	/L 04-	1	M450	(10)	996 351 961 30	connecting line	/R 04-	1	M450	
(5)	996 351 430 10	fixed calliper without pad	/R -02	1		11	930 351 919 00	ventilation valve		2		
(5)	996 351 432 90	fixed calliper without pad	/R 04-	1		12	930 351 927 00	dust boot		2		
(5)	996 351 432 30	fixed calliper without pad	/R 04-	1	M450	13	928 351 917 00	repair kit protection caps 44 MM \$	-02	2		
6	996 351 949 10	brake pad repair set use also: mounting parts		-02	1	-	996 351 915 01	repair kit protection caps 36 MM \$	04-	2		
- K	996 351 940 91	brake pad sport version use also: mounting parts		-02	4	-	996 351 915 00	repair kit protection caps 32 MM \$	04-	2		
(6) K	996 351 948 00	brake pad repair set use also: mounting parts		04-	1	-	951 352 917 00	repair kit protection caps 28 MM \$	04-	2		
(6)	980 351 939 00	brake pad repair set use also: mounting parts		04-	1	M450	15	996 351 959 11	repair kit mounting parts bolt expanding spring securing clip	-02	1	
-	996 351 089 00	damping plate		4						2		
-	996 352 086 01	damping plate		04-	6	(15)	996 351 959 30	repair kit mounting parts bolt screw expanding spring	04-	1		
7	996 612 365 00	warning contact		-02	2					2		
(7)	997 612 677 00	warning contact		04-	2					2		
(7)	996 612 347 00	warning contact		2	M450	16	000 043 117 00	brake cylinder paste 50 G		X		
-	999 507 464 40	support		2								

Model	Year	MG	SG	Illustration	Restrictions	UPD	18:19	26.01.2010	PORSCHE	PET	PORSCHE
GT3-1	2005	6	02	602-00		248					

Pos	Part Number	Description	Remark	Qty	Model	Pos	Part Number	Description	Remark	Qty	Model
(16)	000 043 020 00	optimoly 100 G		X							

Model	Year	MG	SG	Illustration	Restrictions	UPD	18:19	26.01.2010	PORSCHE	PET	PORSCHE
GT3-1	2005	6	03	603-00		248					

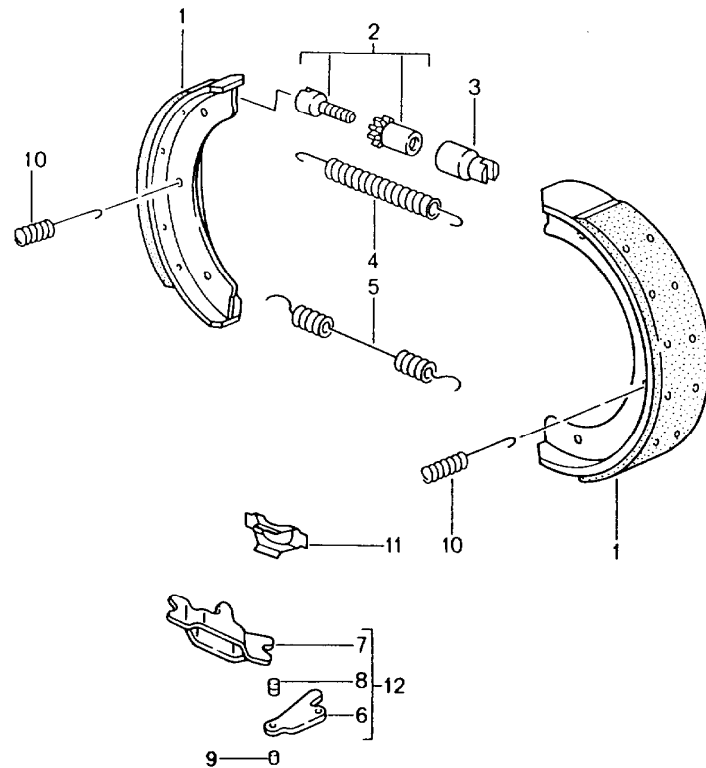


Pos	Part Number	Description	Remark	Qty	Model
		disc brake rear axle			
		see technical information group 4 NR.3/03			
		brake disc only in pairs replace technical manual attention			M450
1	996 352 405 00	brake disc	/L	1	
(1) >	996 352 031 02	brake disc	/L	04	M450
(1) >	996 352 031 03	brake disc	/L	05-	M450
(1)	996 352 406 00	brake disc	/R	1	
(1) >	996 352 032 02	brake disc	/R	04	M450
(1) >	996 352 032 03	brake disc	/R	05-	M450
2	A 900 269 106 09	countersunk-head screw M 6 X 16		2	
2	900 269 106 01	countersunk-head screw M 6 X 16		2	
(2) A	900 269 047 09	countersunk-head screw M 6 X 12		2	
(2)	900 269 047 01	countersunk-head screw M 6 X 12	04-	2	
3	996 352 801 03	protective plate		-02	2
(3)	996 352 801 30	protective plate	/L	04-	1
(3)	996 352 802 30	protective plate	/R	04-	1
(3)	996 352 801 90	protective plate upper	/L	04-	1 M004
-	996 352 813 90	protective plate lower	/L	04-	1 M004
(3)	996 352 802 90	protective plate upper	/R	04-	1 M004
-	996 352 814 90	protective plate lower	/R	04-	1 M004

Model	Year	MG	SG	Illustration	Restrictions	UPD	18:19	26.01.2010	PORSCHE	PET	PORSCHE
GT3-1	2005	6	03	603-00		248					

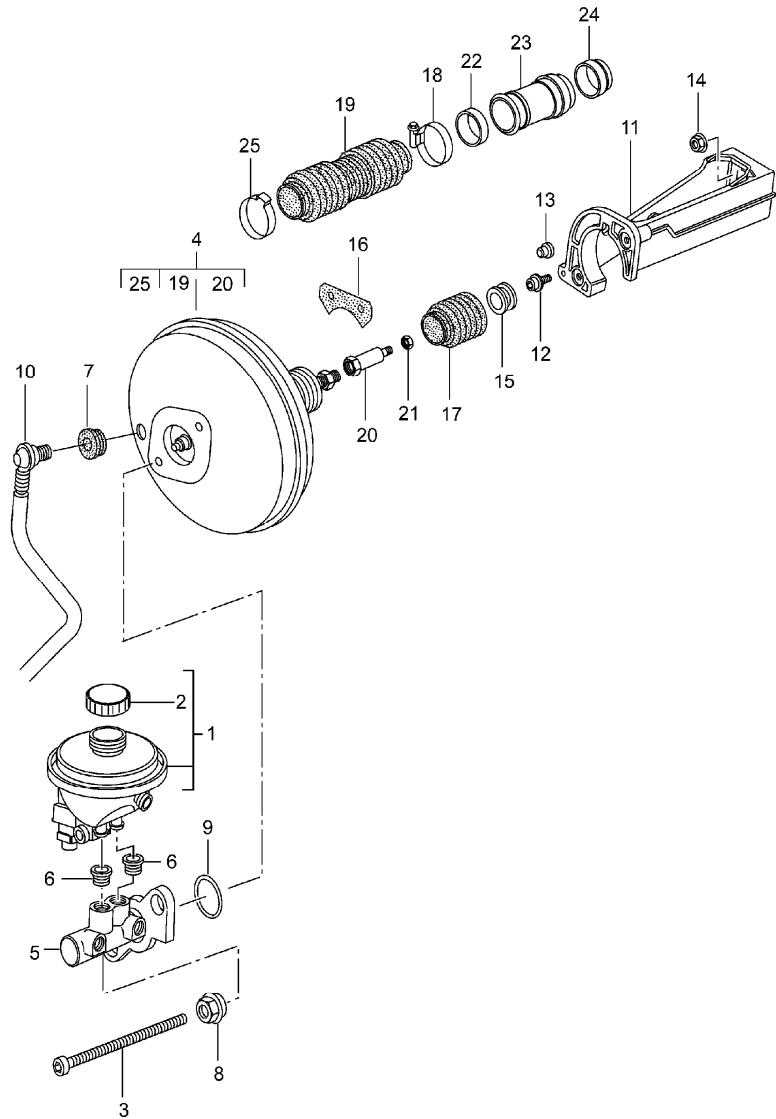
Pos	Part Number	Description	Remark	Qty	Model	Pos	Part Number	Description	Remark	Qty	Model	
4	999 217 116 09	hexagon-head bolt M 6 X 16		4		-	999 507 464 40	cable holder for warning contact		2		
5	996 352 425 60	fixed calliper without pad	/L	-02	1	9	951 352 917 01	repair kit protection caps 30 MM \$		2		
(5)	996 352 425 91	fixed calliper without pad	/L	04-	1	10	951 352 917 00	repair kit protection caps 28 MM \$		2		
(5)	996 352 423 30	fixed calliper without pad	/L	04-	1	M450						
(5)	996 352 426 60	fixed calliper without pad	/R	-02	1	11	996 351 959 01	repair kit mounting parts bolt expanding spring securing clip		1		
(5)	996 352 426 91	fixed calliper without pad	/R	04-	1					2		
(5)	996 352 426 91	fixed calliper without pad	/R	04-	1					2		
(5)	996 352 426 91	fixed calliper without pad	/R	04-	1	M450	(11) 996 352 959 30	repair kit mounting parts bolt expanding spring securing clip	04-	1	M450	
6 A	996 351 939 16	brake pad repair set			1					2		
(6)	996 352 949 03	brake pad repair set		-03	1					2		
(6)	996 352 948 90	brake pad repair set		04-	1	12	996 351 962 00	connecting line	/L	1		
- K	996 352 930 91	brake pad sport version		-02	4	(12)	996 351 961 00	connecting line	/R	1		
(6)	996 352 947 03	brake pad repair set use also: mounting parts		04-	1	M450	(12) 996 352 961 30	connecting line		04-	2	M450
-	964 352 096 01	damping plate 28 MM \$			4	13	930 351 919 00	ventilation valve		4		
-	964 352 096 00	damping plate 30 MM \$			4	14	930 351 927 00	cap		4		
-	996 352 086 01	damping plate 28 MM \$		04-	12	M450	15	000 043 117 00	brake cylinder paste 50 G	X		
7	996 612 365 00	warning contact		-02	2	(15)	000 043 020 00	optimoly 100 G		X		
(7)	997 612 677 00	warning contact		04-	2							
(7)	996 612 347 00	warning contact			2	M450						
8	999 067 042 09	pan-head screw M 12 X 1,5 X 77			4							
(8)	999 067 047 09	pan-head screw M 12 X 1,5 X 85		04-	4							

Model	Year	MG	SG	Illustration	Restrictions	UPD	18:19	26.01.2010	PORSCHE	PET	PORSCHE
GT3-1	2005	6	03	603-05		248					



Pos	Part Number	Description	Remark	Qty	Model
		handbrake			
1	928 352 097 10	brake shoe	-02	4	
(1)	996 352 993 01	brake shoe 1 set	04-	1	
2	993 352 071 00	adjusting screw		2	
3	911 352 944 00	support bush		2	
4	997 352 721 00	tension spring short		2	
5	996 352 723 00	tension spring long		2	
6	928 352 441 01	actuating lever		2	
7	928 352 443 01	clip		2	
8	993 352 735 00	articulated bolt		2	
9	928 352 447 00	bolt		2	
10	996 352 741 00	compression spring		4	
11	996 352 807 00	supporting plate		2	
12	993 352 073 00	push-button lock complete		2	

Model	Year	MG	SG	Illustration	Restrictions	UPD	18:19	26.01.2010	PORSCHE	PET	PORSCHE
GT3-1	2005	6	04	604-00		248					

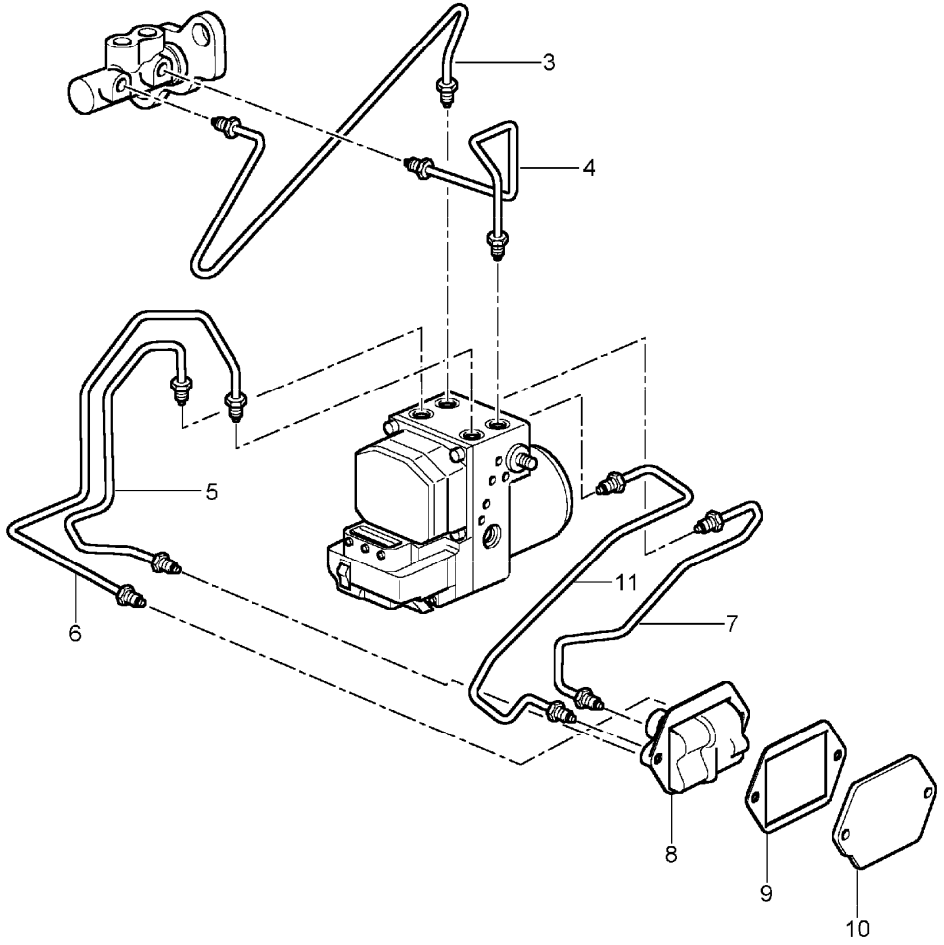


Pos	Part Number	Description	Remark	Qty	Model
-	000 043 204 66	brake master cylinder brake booster pre-charge pump modification kit brake booster comprising: 999.512.672.00 996.423.269.05 999.512.478.00 996.355.911.00 996.355.909.00 996.355.907.00 996.355.927.01 900.380.015.09 F >>99YS6 90531 see technical information group 4 NR.11/01		1	
1	996 355 013 00	container	-02	1	
(1)	996 355 013 01	container	04-	1	
2	996 355 119 01	screw cap		1	
- A	996 355 125 00	contacts for container 996.355.013.00	-02	1	
-	996 355 125 02	contacts for container 996.355.013.00/01	04-	1	
3	999 073 124 09	pan-head screw M 8 X 154 X 80		2	
4	996 355 923 90	brake booster		1	
-	996 355 137 01	cap threaded joint brake booster		1	
5	996 355 910 50	brake master cylinder		1	
6	993 355 922 00	gasket		2	
7	999 702 182 40	gasket		1	
8 A	996 355 925 00	hexagon nut		2	
(8)	997 355 925 00	hexagon nut		2	
9	996 355 912 00	sealing ring		1	

Model	Year	MG	SG	Illustration	Restrictions	UPD	18:19	26.01.2010	PORSCHE	PET	PORSCHE
GT3-1	2005	6	04	604-00		248					

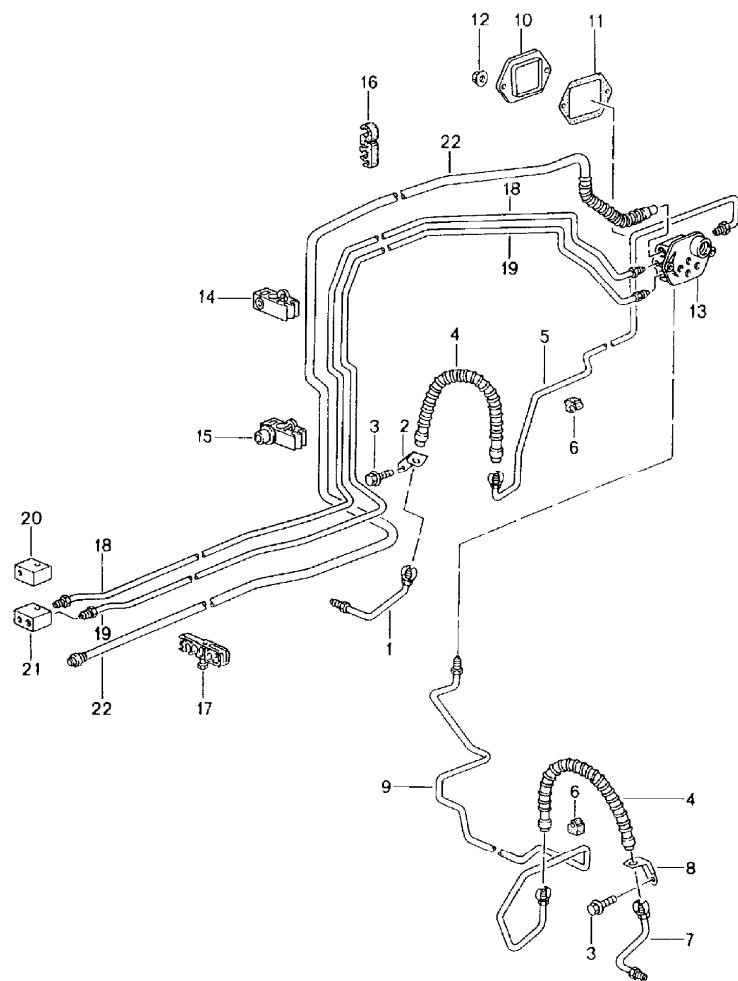
Pos	Part Number	Description	Remark	Qty	Model	Pos	Part Number	Description	Remark	Qty	Model
10	996 355 577 02	vacuum line	/LL 00	1		20	996 355 927 01	connecting piece		1	
(10)	996 355 577 42	vacuum line	/LL -02	1		21 A	900 380 015 09	hexagon nut M 6		1	
(10)	996 355 577 43	vacuum line	/LL 04-	1		21	900 380 015 01	hexagon nut M 6		1	
(10)	996 355 577 02	vacuum line	/LL 04-	1		22	996 355 911 00	sealing ring F >>99YS6 90531 see technical information group 4 NR.11/01		1	
(10)	996 355 578 42	vacuum line	/RL -02	1		23	996 355 909 00	connecting piece F >>99YS6 90531 see technical information group 4 NR.11/01		1	
(10)	996 355 578 43	vacuum line	/RL 04-	1		24	996 355 907 00	sealing rubber F >>99YS6 90531 firewall see technical information group 4 NR,11/01		1	
11	996 423 251 01	intermediate piece		1		25	999 512 672 00	clamp F >>99YS6 90531 see technical information group 4 NR.11/01		1	
12	900 067 240 02	combination screw M 6 X 12 Z1		2		25	999 512 672 00	clamp F 99YS6 90532>>		1	
13	999 703 448 50	stopper	/R	1							
14	900 380 005 09	hexagon nut M 8		2							
15 U	996 355 221 00	grommet F >>99YS6 90531 see technical information group 4 NR.11/01		1							
16	996 423 301 00	gasket		1							
-	996 355 901 01	gasket brake booster bulkhead		1							
17 U	996 355 930 00	bellows F >>99YS6 90531 see technical information group 4 NR.11/01		1							
18	999 512 478 00	hose clamp F >>99YS6 90531 see technical information group 4 NR.11/01		1							
18	999 512 478 00	hose clamp F 99YS6 90532>>		1							
(19) U	996 423 269 04	bellows F >>99YS6 90531 see technical information group 4 NR.11/01		1							
19	996 423 269 05	bellows F 99YS690532>>		1							

Model	Year	MG	SG	Illustration	Restrictions	UPD	18:20	26.01.2010	PORSCHE	PET	PORSCHE
GT3-1	2005	6	04	604-05		248					



Pos	Part Number	Description	Remark	Qty	Model
		brake lines body front section			
3	996 355 311 41	pressure line	/LL	-02	1
(3)	996 355 311 42	pressure line	/LL	04-	1
(3)	996 355 310 42	pressure line	/RL		1
4	996 355 313 90	pressure line	/LL	-02	1
(4)	996 355 313 91	pressure line	/LL	04-	1
(4)	996 355 328 92	pressure line	/RL	-02	1
(4)	996 355 328 93	pressure line	/RL	04-	1
5	996 355 315 02	pressure line		-02	1
(5)	996 355 315 43	pressure line		04-	1
6	996 355 327 03	pressure line		01	1
(6)	996 355 327 43	pressure line		02-	1
7	996 355 316 41	pressure line			1
8	996 355 650 27	intermediate piece			1
9	996 355 752 00	gasket		-01	1
(9)	996 355 752 01	gasket		02	1
10	996 355 753 00	reinforcement			1
-	999 651 292 40	support		04-	1
11	996 355 326 40	pressure line			1

Model	Year	MG	SG	Illustration	Restrictions	UPD	18:20	26.01.2010	PORSCHE	PET	PORSCHE
GT3-1	2005	6	04	604-10		248					

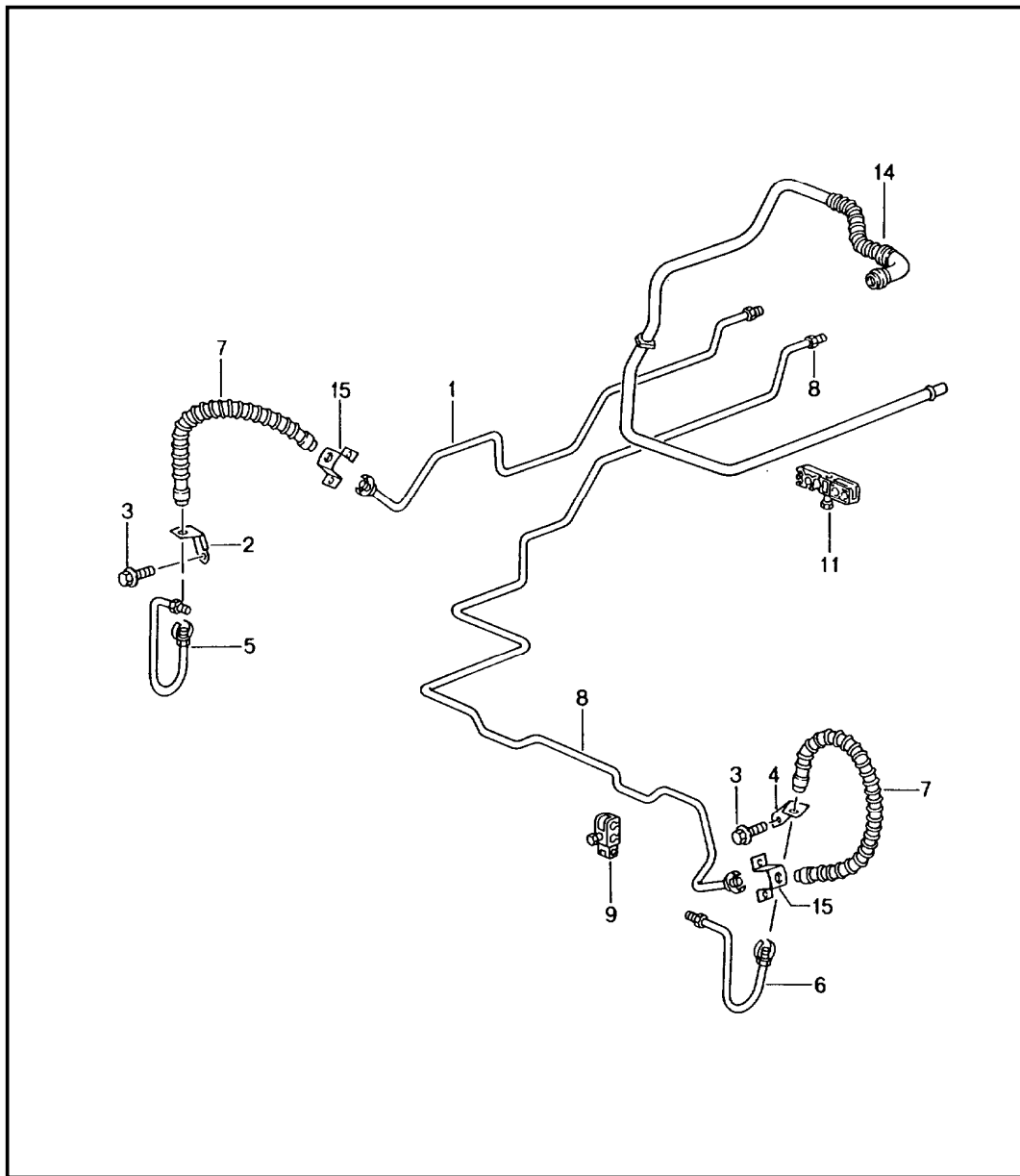


Pos	Part Number	Description	Remark	Qty	Model
		brake lines front axle underbody vacuum line			
1	996 355 581 06	brake line	/L	1	
(1)	996 355 581 9B	brake line	/L 04-	1	M450
2	996 355 501 06	support	/L	1	
3	900 075 355 01	pan-head screw M 6 X 16		2	
4	996 355 139 01	brake hose		2	
5	996 355 175 08	brake line		1	
6	999 591 930 40	cable holder		X	
7	996 355 584 06	brake line	/R	1	
(7)	996 355 584 9B	brake line	/R 04-	1	M450
8	996 355 502 06	support	/R	1	
9	996 355 176 90	brake line		1	
10	996 355 753 00	reinforcement		1	
11	996 355 752 00	gasket	-01	1	
(11)	996 355 752 01	gasket	02-	1	
12	A 900 380 015 09	hexagon nut M 6		3	
12	900 380 015 01	hexagon nut M 6		3	
(13)	996 355 650 02	intermediate piece		1	
14	996 355 545 00	support		3	
15	996 355 549 00	support		1	
16	996 355 547 01	support		2	
17	996 355 543 00	support		1	
18	996 355 177 07	brake line	-02	1	
(18)	996 355 177 08	brake line	04-	1	
19	996 355 179 08	brake line	04-	1	

Model	Year	MG	SG	Illustration	Restrictions	UPD	18:20	26.01.2010	PORSCHE	PET	PORSCHE
GT3-1	2005	6	04	604-10		248					

Pos	Part Number	Description	Remark	Qty	Model	Pos	Part Number	Description	Remark	Qty	Model
20	996 355 660 04	connecting piece triple	-02	1							
20	996 355 760 31	connecting piece fourfold	04-	1							
22	996 355 571 07	vacuum line		1							
-	999 230 535 40	lock connecting piece vacuum line		1							

Model	Year	MG	SG	Illustration	Restrictions	UPD	18:20	26.01.2010	PORSCHE	PET	PORSCHE
GT3-1	2005	6	04	604-15		248					

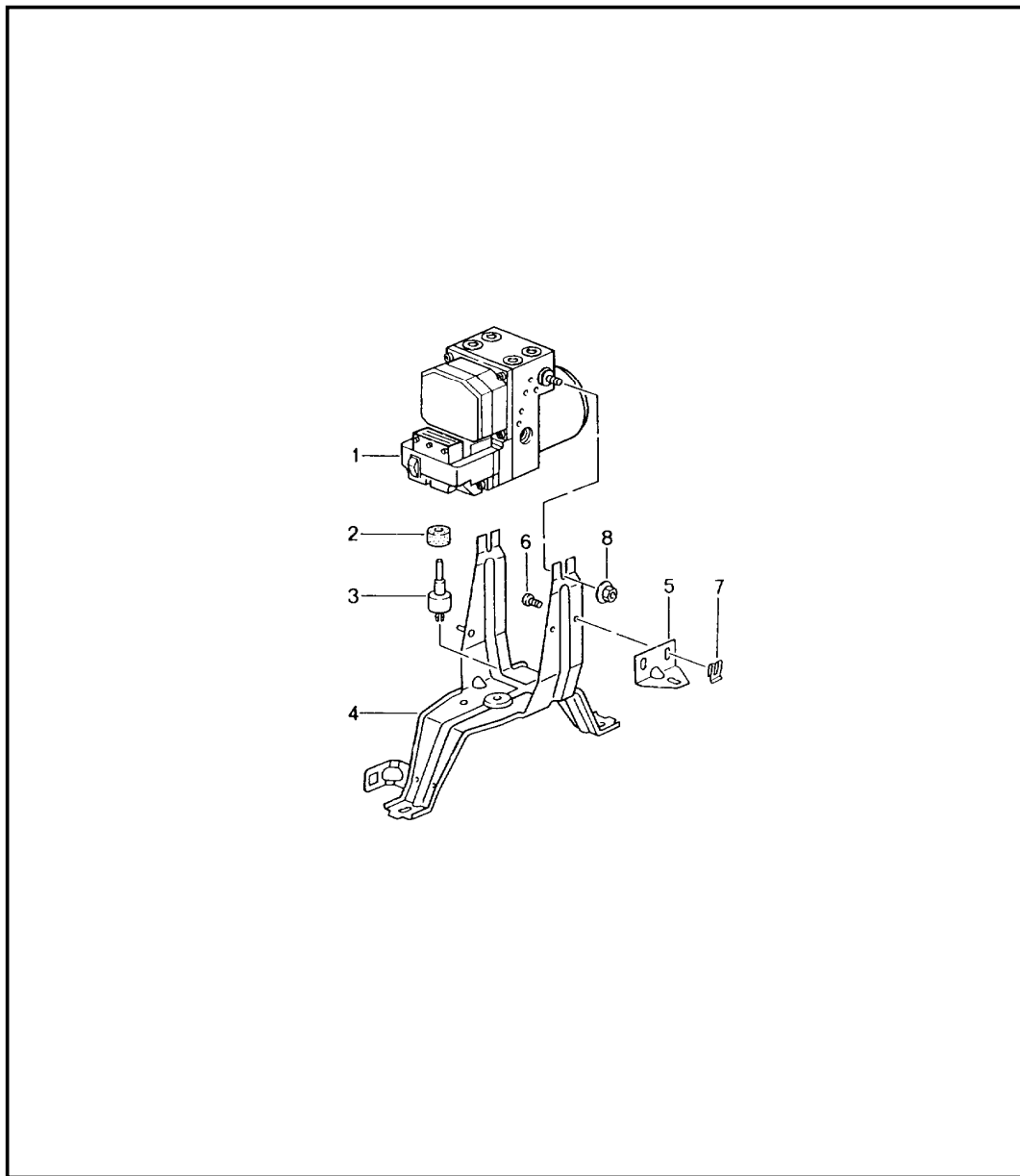


Pos	Part Number	Description	Remark	Qty	Model
		brake line underbody rear axle vacuum line			
1	996 355 189 06	brake line	/L	-02	1
1	996 355 189 07	brake line F >>994S6 91629	/L	04-	1
(1)	997 355 189 00	brake line F 994S6 91630>>	/L		1
2	996 355 503 00	support	/L		1
(2)	996 355 503 10	support	/L	04-	1 M450
(2)	996 355 503 91	support	/L	-03	1 M004
(2)	996 355 503 93	support	/L	04-	1 M004
(2)	996 355 503 90	support	/L	-03	1 M004/450
(2)	996 355 503 92	support	/L	04-	1 M004/450
3	900 067 117 09	combination screw M 6 X 16			2
4	996 355 504 00	support	/R		1
(4)	996 355 504 10	support	/R	04-	1 M450
(4)	996 355 504 91	support	/R	-03	1 M004
(4)	996 355 504 93	support	/R	04-	1 M004
(4)	996 355 504 90	support	/R	-03	1 M004/450
(4)	996 355 504 92	support	/R	04-	1 M004/450
5	996 355 585 00	brake line	/L		1
(5)	996 355 585 10	brake line	/L	04-	1 M450
6	996 355 586 00	brake line	/R		1
(6)	996 355 586 10	brake line	/R	04-	1 M450
7	996 355 139 01	brake hose			2
8	996 355 190 51	brake line	/R	-01	1
(8)	996 355 190 52	brake line	/R	02	1
(8)	996 355 190 53	brake line F >>994S6 91629	/R	04-	1

Model	Year	MG	SG	Illustration	Restrictions	UPD	18:20	26.01.2010	PORSCHE	PET	PORSCHE
GT3-1	2005	6	04	604-15		248					

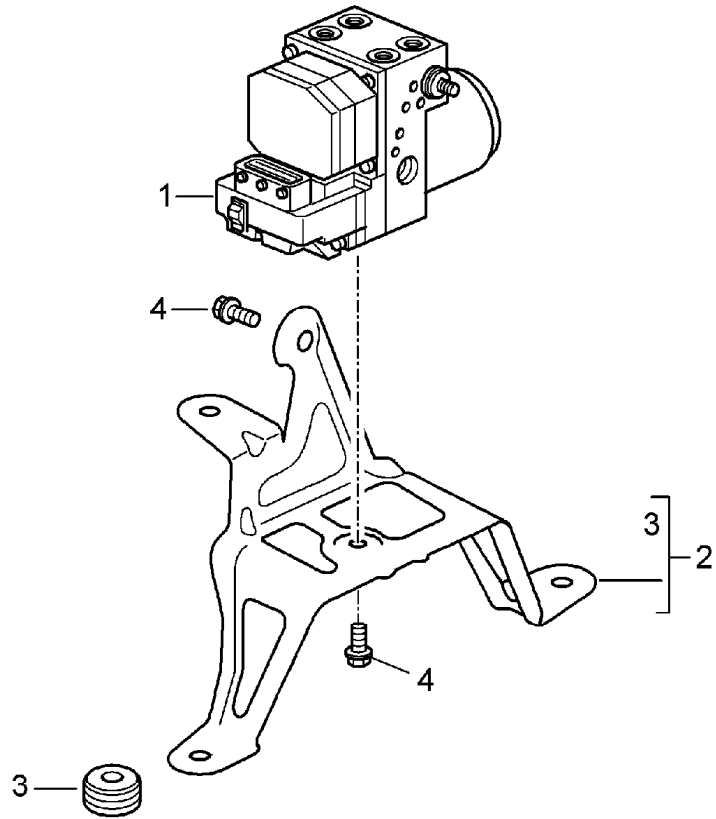
Pos	Part Number	Description	Remark	Qty	Model	Pos	Part Number	Description	Remark	Qty	Model
(8)	997 355 190 02	brake line F 994S6 91630>>	/R	1							
9	996 347 543 00	support		3							
11	996 355 549 00	support		1							
14	996 355 575 51	vacuum line F >>994S6 91629		1							
(14)	997 355 575 01	vacuum line F 994S6 91630>>		1							
-	999 507 495 40	support		1							
15	996 501 815 02	support		2							
	GRV	prime coated									

Model	Year	MG	SG	Illustration	Restrictions	UPD	18:20	26.01.2010	PORSCHE	PET	PORSCHE
GT3-1	2005	6	05	605-00		248					



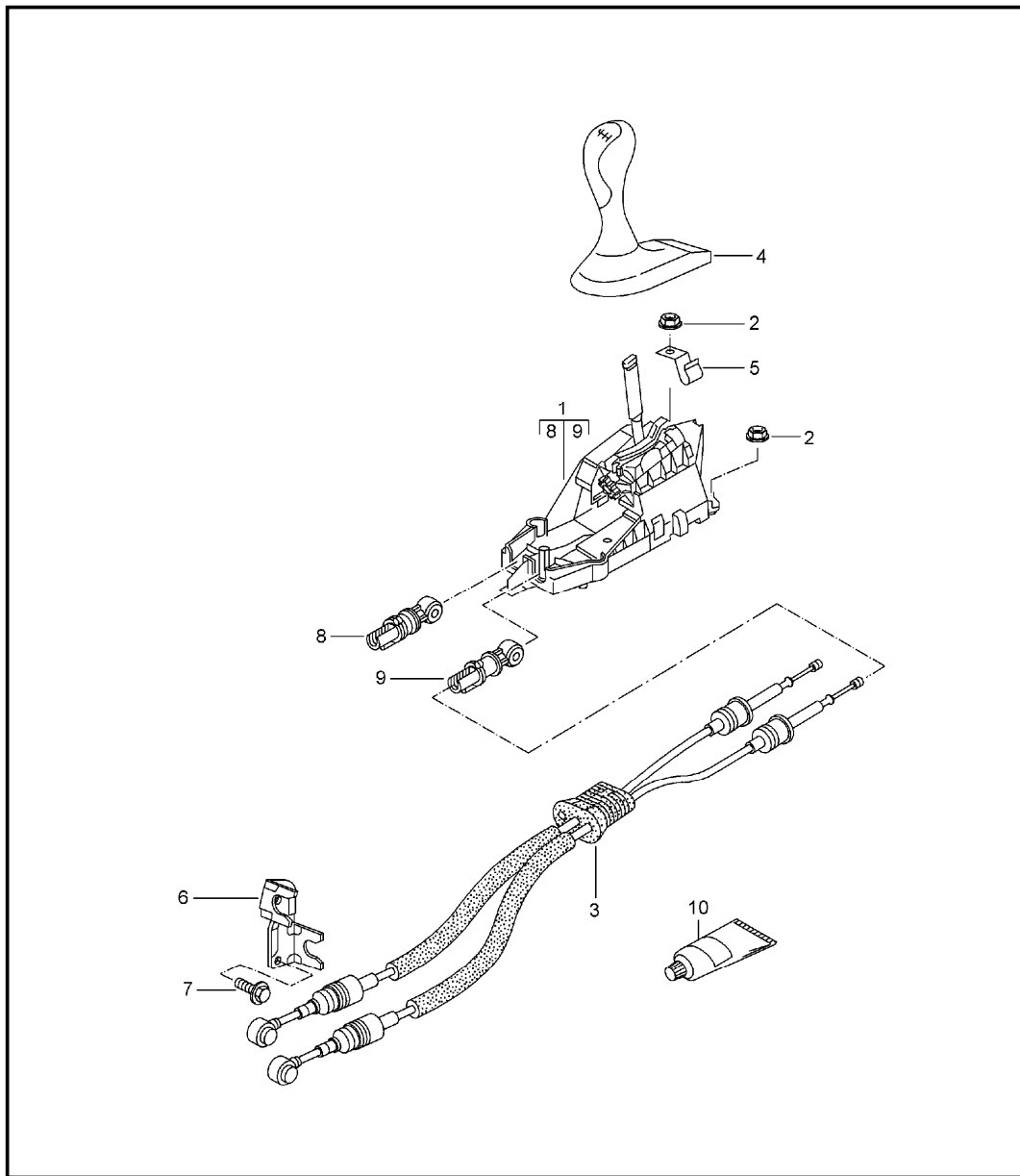
Pos	Part Number	Description	Remark	Qty	Model
		hydraulic unit anti-lock brake system	-02		
1	996 355 955 04	hydraulic unit		1	
2	996 355 945 00	damping piece		3	
3	996 355 541 00	spacer		1	
4	996 355 133 03	support	00	1	
(4)	996 355 133 04	support	01-	1	
-	999 084 629 09	hexagon nut M 6		3	
5	996 355 535 02	support		1	
6	996 355 559 00	bolt		2	
7	999 166 080 02	lock		2	
8	900 377 003 02	hexagon nut VM 8		2	

Model	Year	MG	SG	Illustration	Restrictions	UPD	18:20	26.01.2010	PORSCHE	PET	PORSCHE
GT3-1	2005	6	05	605-05		248					



Pos	Part Number	Description	Remark	Qty	Model
		hydraulic unit anti-lock brake system control	04-		
1	996 355 955 93	hydraulic unit		1	
2	996 355 033 41	support with rubber mounting		1	
3	964 356 635 00	rubber mounting		2	
4	900 378 036 09	hexagon-head bolt M 6 X 12		2	

Model	Year	MG	SG	Illustration	Restrictions	UPD	18:21	26.01.2010	PORSCHE	PET	PORSCHE
GT3-1	2005	7	01	701-00		248					

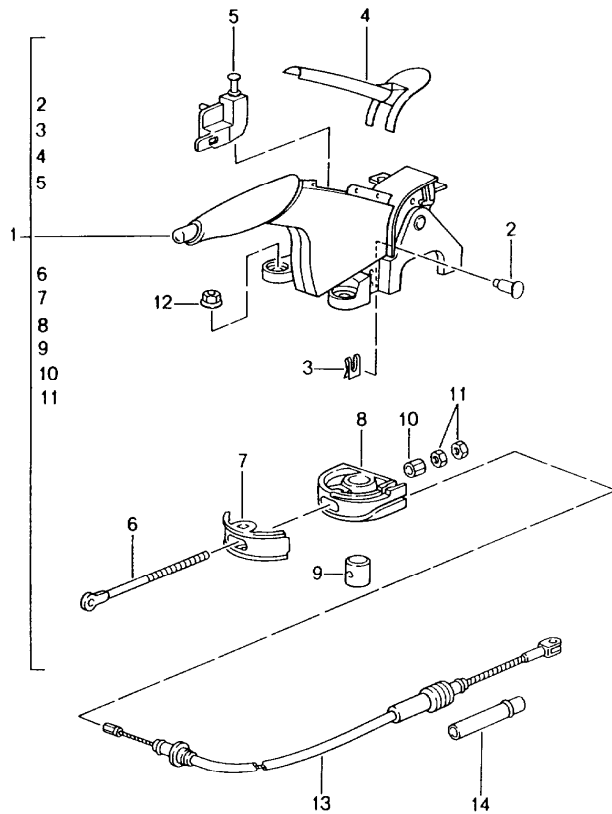


Pos	Part Number	Description	Remark	Qty	Model
		transmission control manual transmission			
1	996 424 010 04	gearshift bracket	-02	1	
(1)	986 424 010 03	gearshift bracket	04-	1	
2	999 084 629 09	hexagon nut M 6		4	
3	A 996 424 041 10	cable	99	1	
(3)	996 424 041 12	cable	-02	1	
(3)	996 424 041 90	cable	04-	1	
-	986 424 411 00	retaining clip mount cable for support		2	
4	996 424 075 90	gearshift knob	-00	1	
		8YR black			
(4)	996 424 075 90	gearshift knob	01-02	1	
		EVZ black			
(4)	996 424 075 90	gearshift knob	04-	1	
		FGT black sport silver			
		VSW dark grey/natural sport silver			
		VSX brown/natural sport silver			
(4)	996 424 075 91	gearshift knob decorative stitching red	04-	1	M004
(4)	996 424 075 92	gearshift knob decorative stitching blue	04-	1	M004
(4)	996 424 981 18	gearshift knob	01-02	1	IX47
		VRJ black			
(4)	996 424 981 31	gearshift knob	04-	1	IX47
		VRJ black			

Model	Year	MG	SG	Illustration	Restrictions	UPD	18:21	26.01.2010	PORSCHE	PET	PORSCHE
GT3-1	2005	7	01	701-00		248					

Pos	Part Number	Description	Remark	Qty	Model	Pos	Part Number	Description	Remark	Qty	Model
	D11	dark grey/natural									
	T11	brown/natural									
6	996 424 165 02	support		1							
7	999 073 209 09	hexagon-head bolt M 10 X 20		2							
8	996 424 145 00	fastening part for cable adjustable		1							
9	996 424 147 00	fastening part for cable adjustable		1							
10	000 043 205 93	grease 1 100-gramme tube		X							

Model	Year	MG	SG	Illustration	Restrictions	UPD	18:21	26.01.2010	PORSCHE	PET	PORSCHE
GT3-1	2005	7	01	701-05		248					

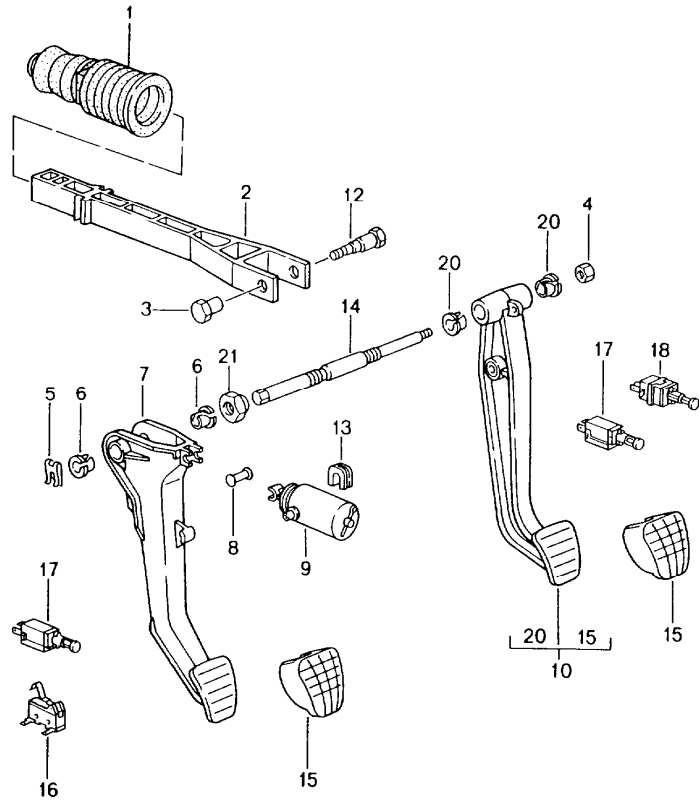


Pos	Part Number	Description	Remark	Qty	Model
		handbrake actuator			
1	996 424 031 90	parking-brake lever complete	/LL -00	1	
	ERP	black			
(1)	996 424 031 90	parking-brake lever complete	/LL 01-02	1	
	EUK	black			
(1)	996 424 031 91	parking-brake lever complete	/LL 04-	1	
	FFR	black sport silver			
	VSR	dark grey/natural sport silver			
	VST	brown/natural sport silver			
(1)	996 424 031 92	parking-brake lever complete decorative stitching red	/LL 04-	1	M004
(1)	996 424 031 93	parking-brake lever complete decorative stitching blue	/LL 04-	1	M004
(1)	996 424 980 24	parking-brake lever complete	/LL 01-02	1	IX58
	VRJ	black			
(1)	996 424 980 50	parking-brake lever complete	/LL 04-	1	IX58
	VRJ	black			
	D11	dark grey/natural			
	T11	brown/natural			
(1)	996 424 032 90	parking-brake lever complete	/RL -00	1	
	ERP	black			
(1)	996 424 032 90	parking-brake lever complete	/RL 01-02	1	

Model	Year	MG	SG	Illustration	Restrictions	UPD	18:21	26.01.2010	PORSCHE	PET	PORSCHE
GT3-1	2005	7	01	701-05		248					

Pos	Part Number	Description	Remark	Qty	Model	Pos	Part Number	Description	Remark	Qty	Model
	EUK	black				10	996 424 572 00	bush		1	
(1)	996 424 032 91	parking-brake lever complete	/RL 04-	1		11	900 076 025 02	hexagon nut M 8		2	
	FFR	black sport silver				12	999 084 630 09	hexagon nut M 8		4	
	VSR	dark grey/natural sport silver				13	996 424 141 10	parking-brake cable		2	
	VST	brown/natural sport silver				14	996 424 721 02	guide tube		2	
(1)	996 424 032 92	parking-brake lever complete decorative stitching red	/RL 04-	1	M004						
(1)	996 424 032 93	parking-brake lever complete decorative stitching blue	/RL 04-	1	M004						
(1)	996 424 980 25	parking-brake lever complete	/RL 01-02	1	IX58						
	VRJ	black									
(1)	996 424 980 51	parking-brake lever complete	/RL 04-	1	IX58						
	VRJ	black									
	D11	dark grey/natural									
	T11	brown/natural									
2	996 424 569 01	bolt		1							
3	999 166 079 02	lock SLB 6		1							
4	996 424 155 90	cover		1							
	A03	black									
5	996 613 112 01	switch		1							
6	996 424 567 01	pull rod		1							
7	964 424 570 00	securing clip		1							
8	964 424 568 00	turnbuckle		1							
9	996 424 574 00	nipple		1							

Model	Year	MG	SG	Illustration	Restrictions	UPD	18:21	26.01.2010	PORSCHE	PET	PORSCHE
GT3-1	2005	7	02	702-00		248					

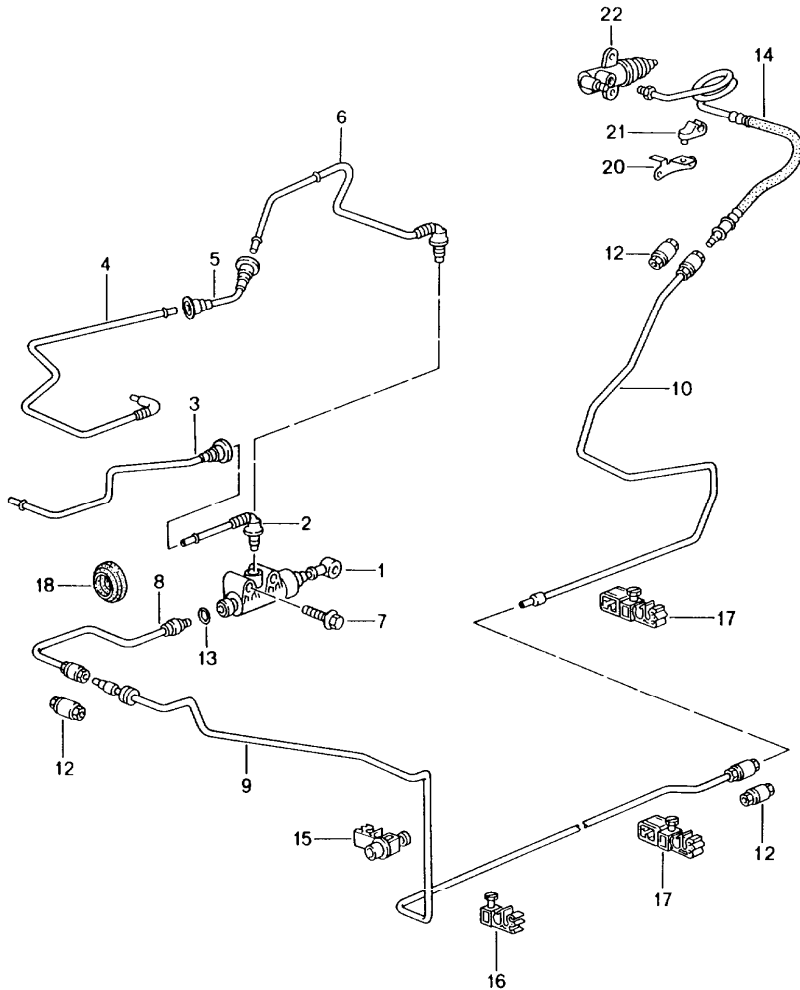


Pos	Part Number	Description	Remark	Qty	Model
		pedals			
-	000 043 203 37	grease OPTITEMP LG2		X	
1	bellows see illustrations 6/04/00		1	
2	U 996 423 165 04	push rod F >>99YS6 90531 see technical information group 4 NR.11/01		1	
(2)	996 423 165 05	push rod F 99YS6 90532>>		1	
-	999 166 075 02	lock push rod brake booster		1	
3	996 423 307 00	bush		1	
4	900 380 005 09	hexagon nut M 8		3	
5	999 507 601 01	lock		1	
6	996 423 399 01	bush		2	
7	996 423 139 10	clutch pedal		1	
8	996 423 315 06	bolt		1	
-	999 166 022 02	lock		1	
9	A 996 423 081 12	clutch power spring	-02	1	
(9)	A 996 423 081 16	clutch power spring	04	1	
(9)	996 423 081 19	clutch power spring	05	1	
-	996 423 571 02	bracket for clutch power spring		1	
10	996 423 091 03	brake pedal	/LL	1	
(10)	996 423 092 03	brake pedal	/RL	1	
-	999 522 033 00	return spring brake pedal		2	
-	996 423 101 00	protective tube return spring brake pedal		1	

Model	Year	MG	SG	Illustration	Restrictions	UPD	18:21	26.01.2010	PORSCHE	PET	PORSCHE
GT3-1	2005	7	02	702-00		248					

Pos	Part Number	Description	Remark	Qty	Model	Pos	Part Number	Description	Remark	Qty	Model
-	996 423 243 00	bush return spring		1							
12	996 423 308 00	bolt		1							
13	996 423 581 00	bush		2							
14	996 423 281 05	axle	/LL	1							
(14)	996 423 284 05	axle	/RL	1							
-	996 423 277 00	bearing sleeve brake pedal	/RL	1							
15	996 423 210 03	pedal cap		2							
(16)	997 613 109 00	switch	05-	1							
17	996 613 114 01	switch clutch pedal		1							
17	996 613 114 01	clutch pedal		1	M454						
18	996 613 113 01	switch		1							
20	996 423 399 01	bush	/LL	2							
20	999 924 133 40	bush	/RL	2							
21 A	996 423 275 04	screw plug	-02	1							
(21)	996 423 275 05	screw plug	04-	1							

Model	Year	MG	SG	Illustration	Restrictions	UPD	18:21	26.01.2010	PORSCHE	PET	PORSCHE
GT3-1	2005	7	02	702-08		248					

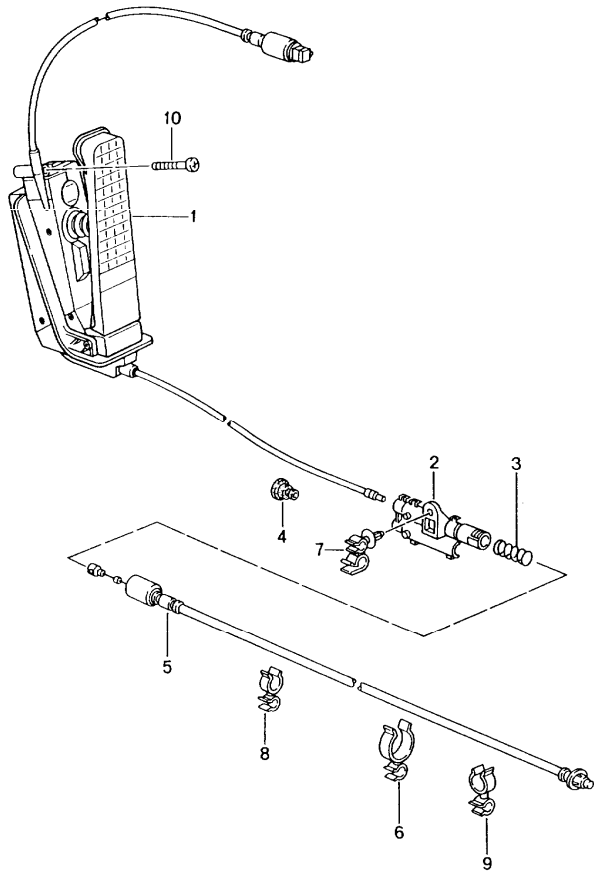


Pos	Part Number	Description	Remark	Qty	Model
		clutch actuation clutch master cylinder clutch pipeline			
1	A 996 423 171 05	clutch master cylinder		-02	1
(1)	996 423 171 06	clutch master cylinder		04-	1
-	996 423 614 00	circlip pressure line			1
-	996 423 315 06	bolt			1
-	999 166 022 02	safety clip for bolt			1
2	996 423 147 00	feed line	/LL	-02	1
(2)	996 423 147 01	feed line	/LL	04-	1
3	997 423 137 00	feed line	/LL		1
4	996 423 138 03	line	/RL	-02	1
(4)	996 423 138 04	feed line	/RL	04-	1
5	996 423 140 02	feed line	/RL		1
6	996 423 142 01	feed line	/RL	-02	1
(6)	996 423 142 02	feed line	/RL	04-	1
7	900 378 029 09	hexagon-head bolt M 6 X 40			2
8	996 423 107 10	clutch pipeline	/LL		1
(8)	996 423 108 10	clutch pipeline	/RL		1
9	996 423 109 10	clutch pipeline			1
10	996 423 113 06	clutch pipeline		-02	1
(10)	996 423 113 07	clutch pipeline F >>994S6 91629		04-	1
(10)	997 423 113 00	clutch pipeline F 994S5 91630>>			1
12	999 230 541 10	threaded joint			X
-	999 230 685 40	circlip for threaded joint			X
13	999 707 333 40	sealing ring			1

Model	Year	MG	SG	Illustration	Restrictions	UPD	18:21	26.01.2010	PORSCHE	PET	PORSCHE
GT3-1	2005	7	02	702-08		248					

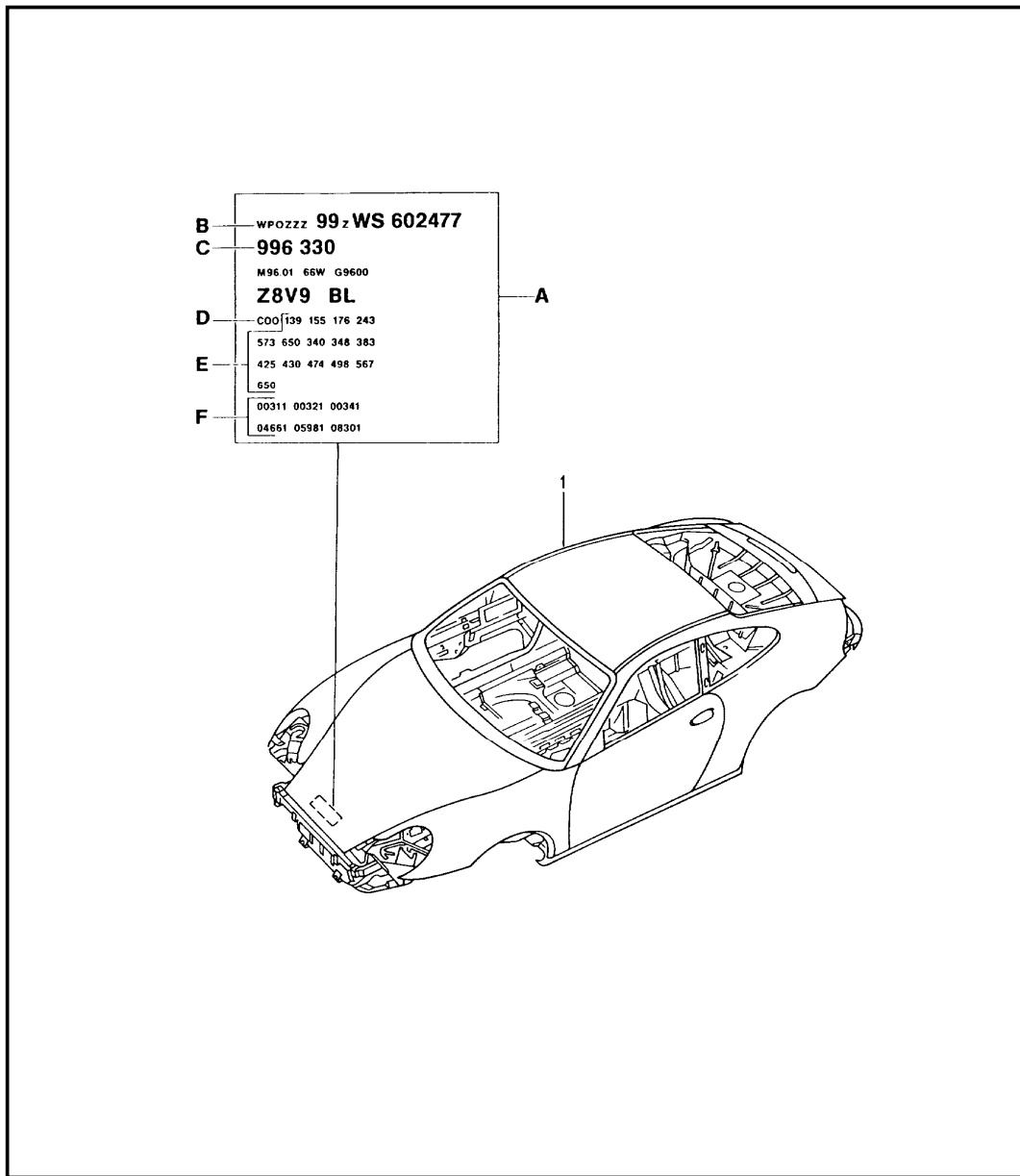
Pos	Part Number	Description	Remark	Qty	Model	Pos	Part Number	Description	Remark	Qty	Model
14	996 423 377 90	clutch hose		1							
15	996 355 549 00	support		1							
16	996 355 545 00	support		2							
17	996 355 543 00	support		4							
18	999 702 216 42	grommet		1							
20	996 423 677 00	support		1							
-	999 507 586 40	cable holder		1							
21	999 507 586 40	bracket		1							
22	996 116 237 90	clutch operating cylinder		1							
-	900 075 222 09	hexagon-head bolt M 8 X 30		2							

Model	Year	MG	SG	Illustration	Restrictions	UPD	18:21	26.01.2010	PORSCHE	PET	PORSCHE
GT3-1	2005	7	02	702-10		248					



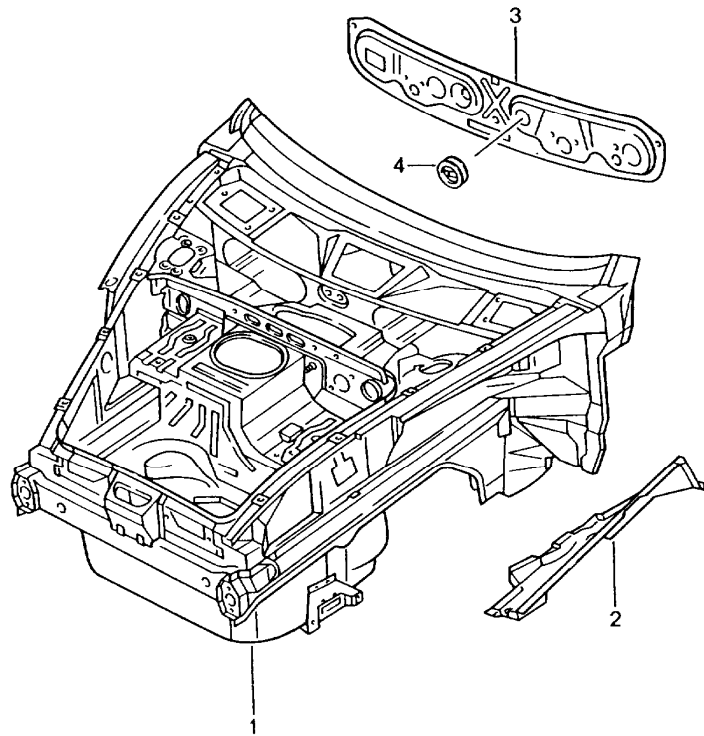
Pos	Part Number	Description	Remark	Qty	Model
		pedals accelerator control			
1	K 996 423 021 91	accelerator control	/LL	-02	1
(1)	996 423 019 04	accelerator control	/LL	04-	1 M620
(1)	996 423 022 91	accelerator control	/RL	-02	1
(1)	996 423 020 02	accelerator control	/RL	04-	1 M620
2	996 423 131 04	housing			1
3	996 423 133 00	spring			1
4	996 423 331 00	grommet			1
(4)	803 803 583 A	stopper			1
5	996 423 229 91	accelerator cable	/LL		1
(5)	996 423 230 91	accelerator cable	/RL		1
6	999 507 617 40	hose holder	/RL		1
7	999 507 605 40	hose holder	/LL		1
8	999 507 604 40	hose holder	/LL		1
9	999 591 928 40	hose holder fuel line	/LL		1
10	900 146 157 09	round head screw M 5 X 55			1

Model	Year	MG	SG	Illustration	Restrictions	UPD	18:22	26.01.2010	PORSCHE	PET	PORSCHE
GT3-1	2005	8	01	801-00		248					



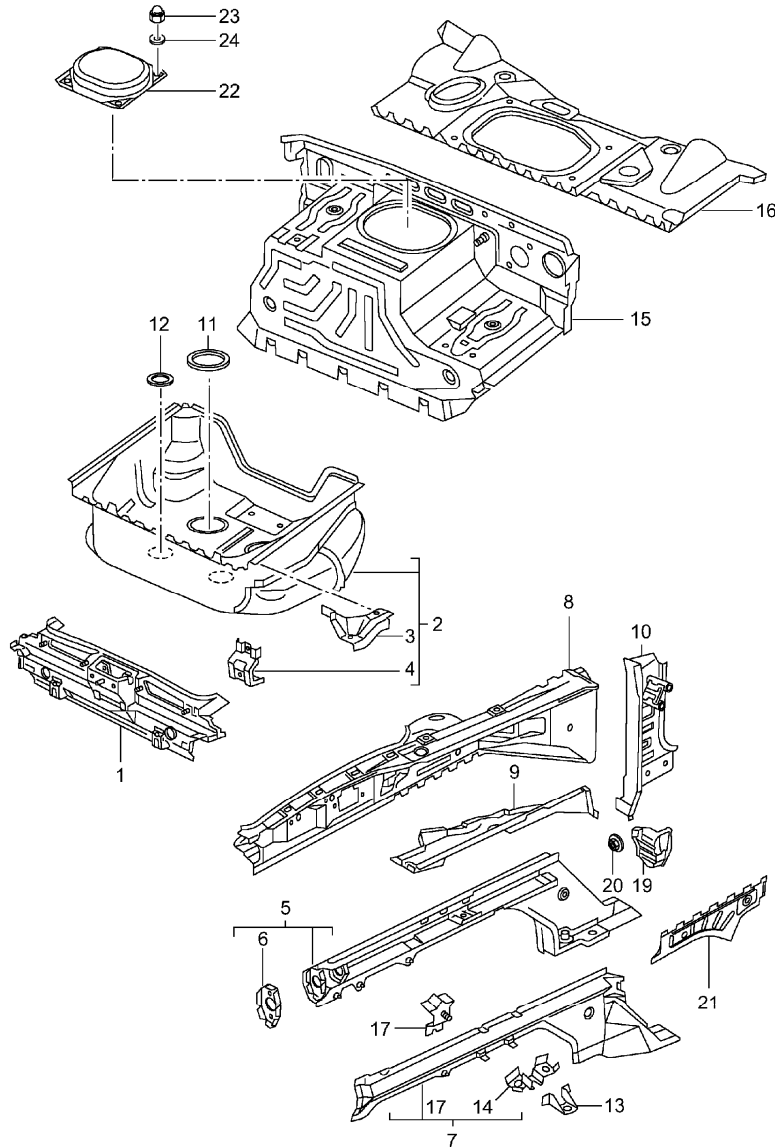
Pos	Part Number	Description	Remark	Qty	Model
		body in white prime coated sealed with underbody protection with doors/lids/wings			
		bodyshells can only only available from current model year available			
		the data required for your order can be found on the vehicle data carrier please indicate this data in your order			
A	-	vehicle data carrier			
B	-	vehicle identification no.			
C	-	order type			
D	-	country equipment			
E	-	optional extras			
F	-	additional applications			
1	996 500 900 00 GRV	body in white prime coated		1	

Model	Year	MG	SG	Illustration	Restrictions	UPD	18:22	26.01.2010	PORSCHE	PET	PORSCHE
GT3-1	2005	8	01	801-05		248					



Pos	Part Number	Description	Remark	Qty	Model
		body front section			
(1)	996 501 911 01	body front section	/LL	1	
	GRV	prime coated			
(1)	996 501 911 03	body front section	/RL	1	
	GRV	prime coated			
		use also:			
2	996 501 443 00	bottom half	/L	1	
	GRV	prime coated			
(2)	996 501 444 01	bottom half	/R	1	
	GRV	prime coated			
3 A	996 504 121 00	lid F >>99YS6 90531	/LL	1	
(3)	996 504 121 02	lid	/LL	1	
(3) A	996 504 121 01	lid F >>99YS6 90531	/RL	1	
(3)	996 504 121 03	lid	/RL	1	
4	999 702 255 40	lid 61,5 X 72,6		1	

Model	Year	MG	SG	Illustration	Restrictions	UPD	18:22	26.01.2010	PORSCHE	PET	PORSCHE
GT3-1	2005	8	01	801-10		248					

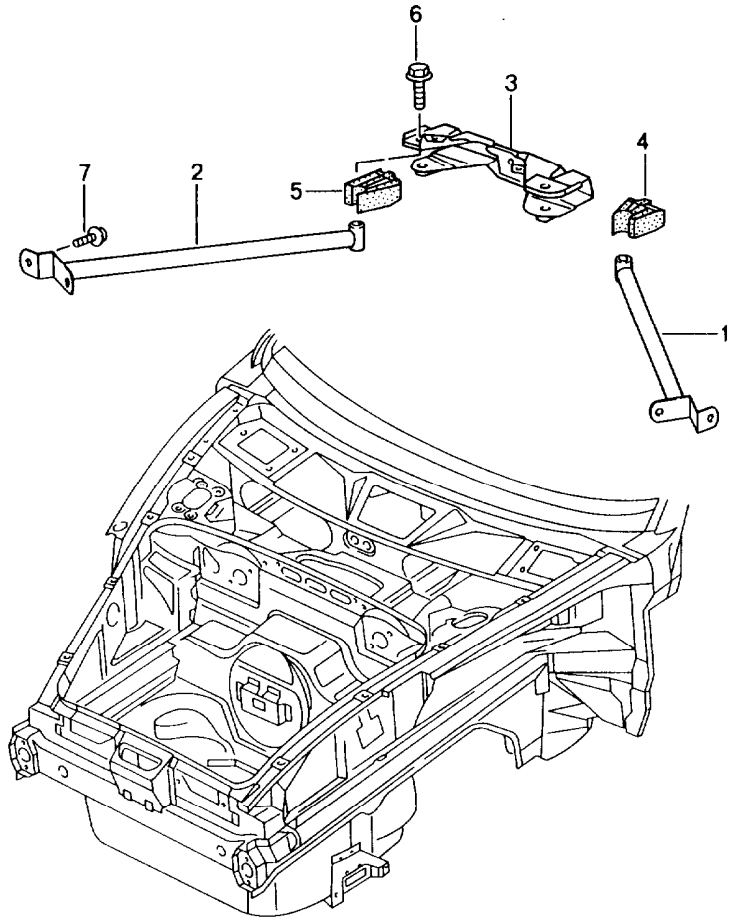


Pos	Part Number	Description	Remark	Qty	Model
		body front section single parts			
1	996 501 231 00	terminal piece		1	
	GRV	prime coated			
(2)	996 501 979 01	spare-wheel well		1	
	GRV	prime coated			
-	996 501 473 00	support		2	M339
	GRV	prime coated for control unit PSM			
3	996 501 649 00	corner panel	/L	1	
	GRV	prime coated			
(3)	996 501 650 00	corner panel	/R	1	
	GRV	prime coated			
4	996 501 621 00	support		3	
	GRV	prime coated			
5	996 501 305 04	side member	/L	1	
	GRV	prime coated			
5	996 501 305 05	side member	/L	1	
	GRV	prime coated			
(5)	996 501 306 04	side member	/R	1	
	GRV	prime coated			
(5)	996 501 306 05	side member	/R	1	
	GRV	prime coated			
6	996 501 377 01	mounting		2	
	GRV	prime coated			
7	996 501 915 00	side member	/L	1	
	GRV	prime coated			
(7)	996 501 916 00	side member	/R	1	
	GRV	prime coated			

Model	Year	MG	SG	Illustration	Restrictions	UPD	18:22	26.01.2010	PORSCHE	PET	PORSCHE
GT3-1	2005	8	01	801-10		248					

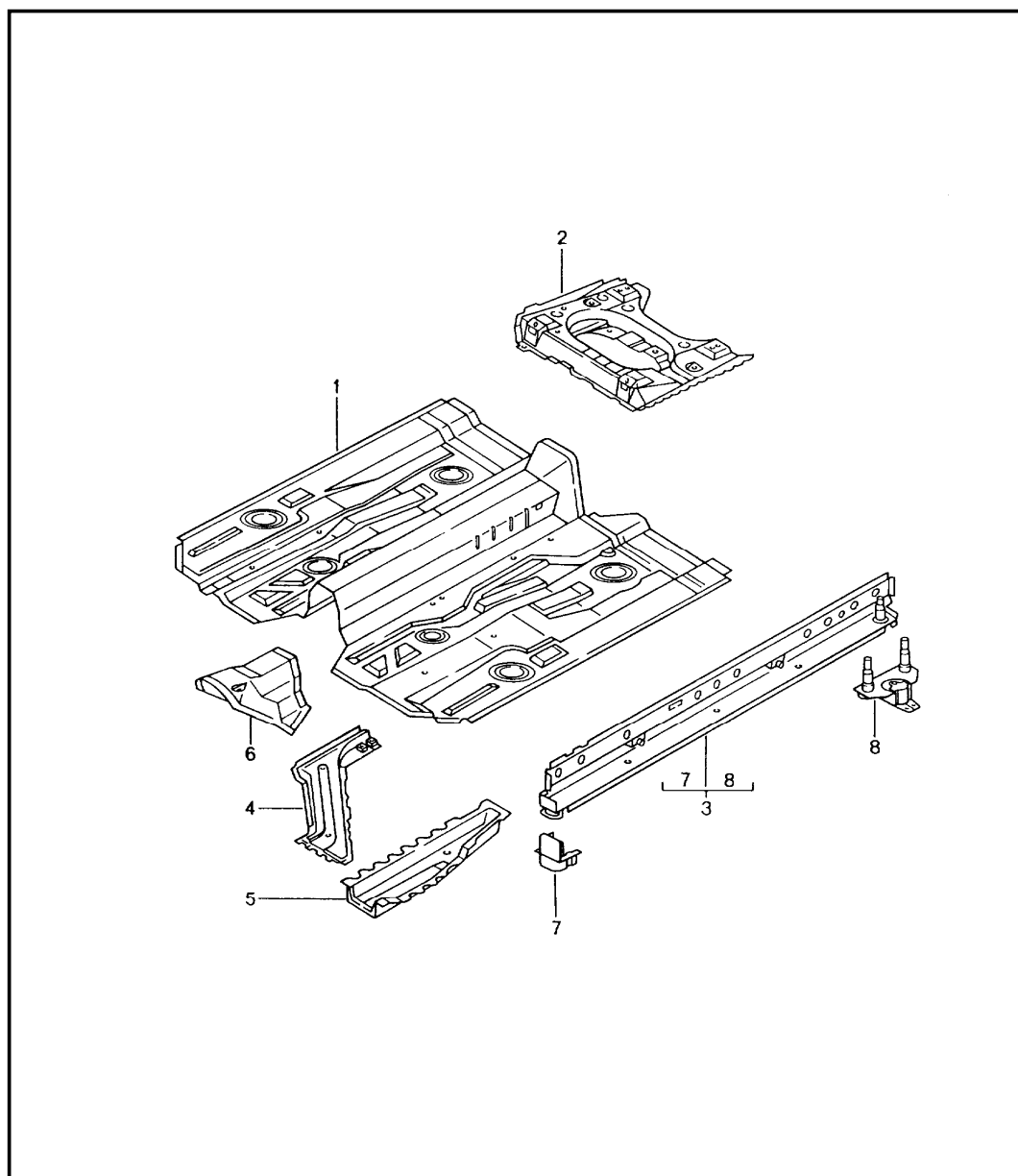
Pos	Part Number	Description	Remark	Qty	Model	Pos	Part Number	Description	Remark	Qty	Model
8	996 501 935 00	wheel housing	/L	1		(15)	996 502 015 03	bulkhead	/RL	1	
	GRV	prime coated					GRV	prime coated			
(8)	996 501 935 01	wheel housing	/L 01-	1		16	996 502 017 03	cross panel		1	
	GRV	prime coated					GRV	prime coated			
(8)	996 501 936 01	wheel housing	/R -01	1		17	996 501 341 00	support		2	
	GRV	prime coated					GRV	prime coated			
(8)	996 501 936 02	wheel housing	/R 02-	1		19	996 504 461 00	cover	/L	1	
	GRV	prime coated				(19)	996 504 462 00	cover	/R	1	
(9)	996 501 443 01	bottom half	/L	1		20	999 084 629 09	hexagon nut M 6		6	
	GRV	prime coated									
(9)	996 501 444 01	bottom half	/R -00	1		21	996 501 665 00	separator	/L	1	
	GRV	prime coated					GRV	prime coated			
(9)	996 501 444 02	bottom half	/R 01-	1		(21)	996 501 665 01	separator	/L 03-	1	
	GRV	prime coated					GRV	prime coated			
10	996 501 937 01	hinge pillar	/L	1		(21)	996 501 666 00	separator	/R	1	
	GRV	prime coated					GRV	prime coated			
(10)	996 501 938 01	hinge pillar	/R	1		(21)	996 501 666 01	separator	/R 03-	1	
	GRV	prime coated					GRV	prime coated			
11	996 504 201 01	lid \$ 145 MM		2		22	996 504 471 00	lid bulkhead		1	
12	996 504 213 01	lid \$ 85 MM		2		23	900 096 006 01	cap nut M 6		4	
14	996 501 815 02	support		2		24	N 011 524 7	washer A 6,4		4	
	GRV	prime coated									
15 A	996 502 021 04	bulkhead	/LL	1							
	GRV	prime coated									
15	996 502 015 02	bulkhead	/LL	1							
	GRV	prime coated									
(15) A	996 502 021 05	bulkhead	/RL	1							
	GRV	prime coated									

Model	Year	MG	SG	Illustration	Restrictions	UPD	18:22	26.01.2010	PORSCHE	PET	PORSCHE
GT3-1	2005	8	01	801-15		248					



Pos	Part Number	Description	Remark	Qty	Model
		dome strut			
1	A 996 504 233 00	dome strut	/L	-02	1
1	996 504 233 01	dome strut	/L	03-	1
2	A 996 504 234 00	dome strut	/R	-02	1
2	996 504 234 01	dome strut	/R	03-	1
3	996 504 359 00	bracket			1
4	996 504 633 00	filler piece	/L		1
5	996 504 634 00	filler piece	/R		1
6	900 378 100 09	hexagon-head bolt AM 10 X 45			2
7	900 075 010 09	combination screw M 6 X 12			4

Model	Year	MG	SG	Illustration	Restrictions	UPD	18:22	26.01.2010	PORSCHE	PET	PORSCHE
GT3-1	2005	8	01	801-20		248					

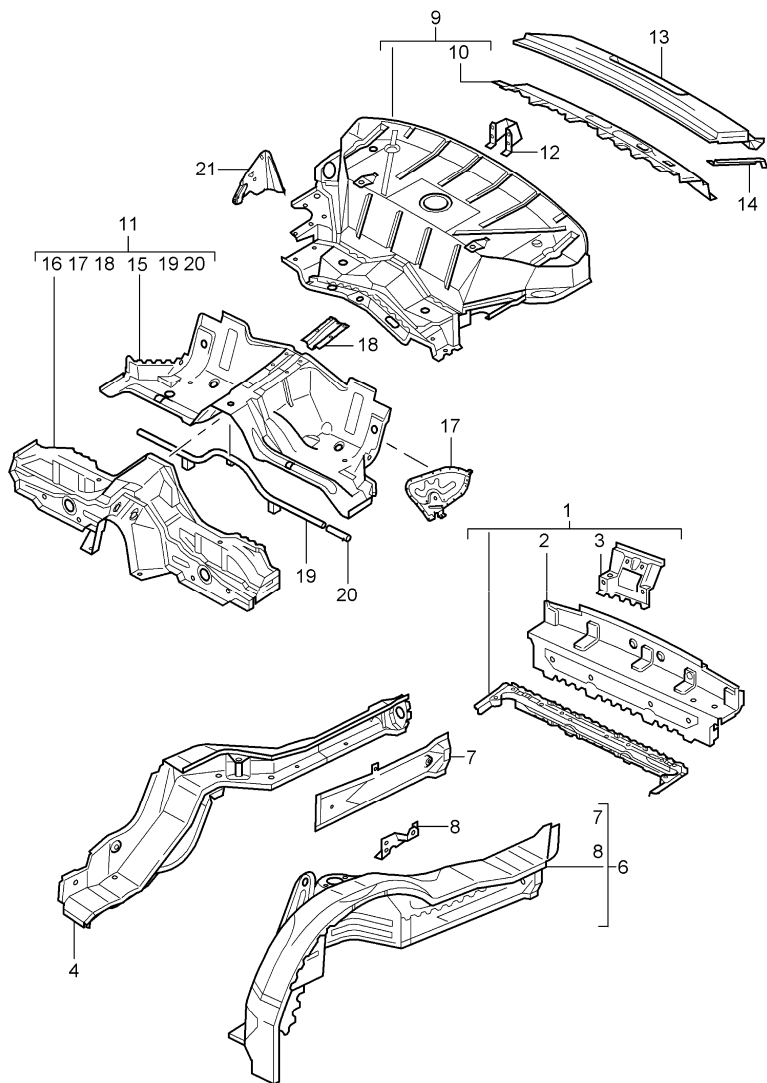


Pos	Part Number	Description	Remark	Qty	Model
		floor centre			
1	996 501 551 00	floor		1	
	GRV	prime coated			
2	996 501 153 00	seat support	/L	1	M002
	GRV	prime coated			
(2)	996 501 154 00	seat support	/R	1	M002
	GRV	prime coated			
3	996 501 957 00	side member	/L -01	1	
	GRV	prime coated			
(3) A	996 501 958 00	side member	/R	1	
	GRV	prime coated			
(3)	996 501 958 01	side member	/R	1	
	GRV	prime coated			
4 A	996 501 507 01	reinforcement	/L	1	
	GRV	prime coated			
4	996 501 507 02	reinforcement	/L	1	
	GRV	prime coated			
(4) A	996 501 508 01	reinforcement	/R	1	
	GRV	prime coated			
(4)	996 501 508 02	reinforcement	/R	1	
	GRV	prime coated			
5	996 501 525 00	side member	/L	1	
	GRV	prime coated			
(5)	996 501 526 00	side member	/R	1	
	GRV	prime coated			
6	996 501 751 00	extension		1	
	GRV	prime coated			
7	996 501 785 00	jacking point	/L/V	1	

Model	Year	MG	SG	Illustration	Restrictions	UPD	18:22	26.01.2010	PORSCHE	PET	PORSCHE
GT3-1	2005	8	01	801-20		248					

Pos	Part Number	Description	Remark	Qty	Model	Pos	Part Number	Description	Remark	Qty	Model
		GRV prime coated									
(7)	996 501 786 00	jacking point	/R/V	1							
		GRV prime coated									
8	996 501 481 01	jacking point	/L/H	1							
		GRV prime coated									
(8)	996 501 482 01	jacking point	/R/H	1							
		GRV prime coated									
9	996 501 409 01	reinforcement tunnel		1							
		GRV prime coated									
10	996 501 719 00	filler plate reinforcement		1							
		GRV prime coated									
-	996 504 201 01	lid \$ 145 MM		X							
-	996 504 205 01	lid \$ 130 MM		X							
-	996 504 207 01	lid \$ 100 MM		X							

Model	Year	MG	SG	Illustration	Restrictions	UPD	18:23	26.01.2010	PORSCHE	PET	PORSCHE
GT3-1	2005	8	01	801-35		248					

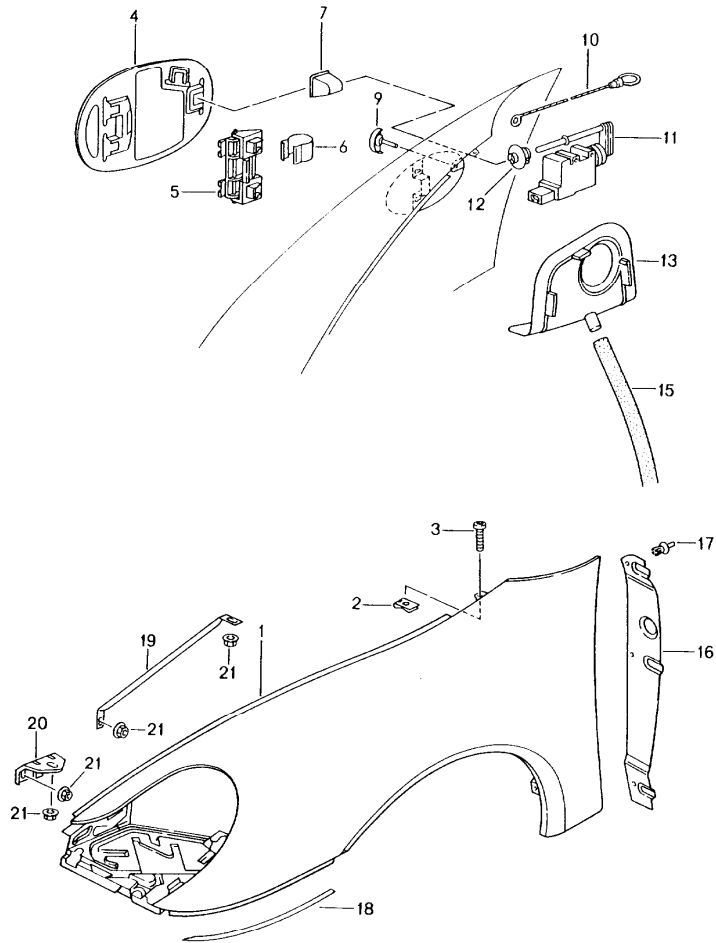


Pos	Part Number	Description	Remark	Qty	Model
1	996 501 173 90	rear end terminal piece		1	
	GRV	prime coated			
(2) A	996 501 273 01	end plate		1	
	GRV	prime coated see tpi group 8 Nr.51			
(2)	996 501 273 02	end plate		1	
	GRV	prime coated see tpi group 8 Nr.51			
3	996 501 247 01	lock carrier		1	
	GRV	prime coated			
4	996 501 977 00	side member	/L	1	
	GRV	prime coated			
(4)	996 501 978 00	side member	/R	1	
	GRV	prime coated			
6	996 501 943 00	wheel housing	/L	1	
	GRV	prime coated			
(6)	996 501 944 00	wheel housing	/R	1	
	GRV	prime coated			
7 A	996 501 595 00	side member	/L	1	
	GRV	prime coated			
(7)	996 501 595 01	side member		1	
	GRV	prime coated			
(7) A	996 501 596 00	side member	/R	1	
	GRV	prime coated			
(7)	996 501 596 01	side member		1	
	GRV	prime coated			
9	996 502 191 91	rear wall		1	

Model	Year	MG	SG	Illustration	Restrictions	UPD	18:23	26.01.2010	PORSCHE	PET	PORSCHE
GT3-1	2005	8	01	801-35		248					

Pos	Part Number	Description	Remark	Qty	Model	Pos	Part Number	Description	Remark	Qty	Model
		GRV prime coated						GRV prime coated belt			
10	996 502 673 00	cross member		1		21	996 504 798 00	bracket	/R	1	
		GRV prime coated						GRV prime coated belt			
11	996 501 949 00	seat well	-01	1		22	996 502 653 01	connecting piece	/L	1	
		GRV prime coated						GRV prime coated			
11	996 501 049 03	seat well	02-	1		(22)	996 502 654 01	connecting piece	/R	1	
		GRV prime coated						GRV prime coated			
13	996 503 211 00	rear centre panel		1	M426						
		GRV prime coated									
(13)	996 503 211 01	rear centre panel		1	M425						
		GRV prime coated									
14	996 545 549 00	pipng	/L	1							
(14)	996 545 550 00	pipng	/R	1							
15	996 501 549 03	seat well		1							
		GRV prime coated									
16	996 501 155 02	cross member		1							
		GRV prime coated									
17	996 501 461 02	reinforcement	/L	1							
		GRV prime coated									
(17)	996 501 462 02	reinforcement		1							
		GRV prime coated									
18	996 501 659 01	bracket		1							
		GRV prime coated									
19	996 501 411 00	pipe		1							
		GRV prime coated									
20	996 501 415 00	sleeve		2							
		GRV prime coated									
(21)	996 504 797 00	bracket	/L	1							

Model	Year	MG	SG	Illustration	Restrictions	UPD	18:23	26.01.2010	PORSCHE	PET	PORSCHE
GT3-1	2005	8	01	801-40		248					

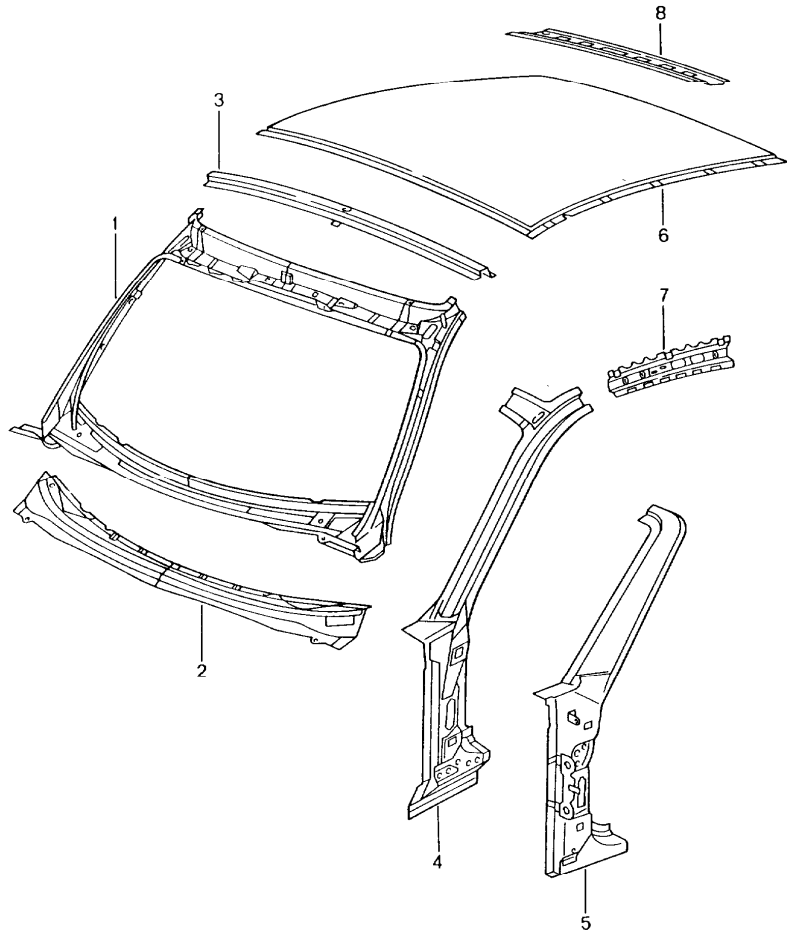


Pos	Part Number	Description	Remark	Qty	Model
1	996 503 031 01	wing	/L	-02	1
	GRV	prime coated			
(1)	996 503 032 03	wing	/R	-02	1
	GRV	prime coated			
(1)	996 503 031 03	wing	/L	03-	1
	GRV	prime coated			
(1)	996 503 032 05	wing	/R	03-	1
	GRV	prime coated			
2	999 507 003 02	speed nut ST 6,3			22
3	999 073 128 02	tapping screw ST 6,3 X 14			22
4 A	996 504 133 00	fuel filler flap			1
	GRV	prime coated			
4	996 504 133 02	fuel filler flap			1
	GRV	prime coated			
5	996 201 063 00	hinge			1
6	996 201 413 01	spring			1
7	996 201 423 00	cap			1
9	996 201 513 00	rubber stop			1
10	996 201 493 00	emergency operation			1
11	996 624 113 00	actuator			1
12	996 624 505 02	guide rose			1
13	996 201 667 01	sleeve			1
15	996 201 153 00	hose			1
16	996 504 641 01	cover	/L		1
	01C	black			
(16)	996 504 642 01	cover	/R		1
	01C	black			

Model	Year	MG	SG	Illustration	Restrictions	UPD	18:23	26.01.2010	PORSCHE	PET	PORSCHE
GT3-1	2005	8	01	801-40		248					

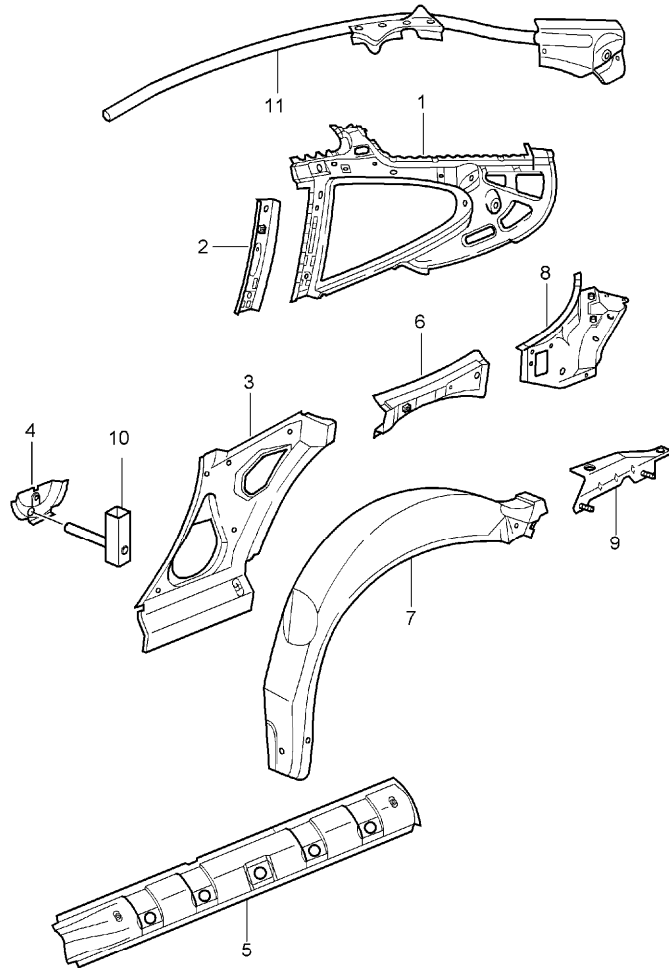
Pos	Part Number	Description	Remark	Qty	Model	Pos	Part Number	Description	Remark	Qty	Model
17	999 591 712 40	expansion rivet A 6,0 X 12,0		6							
18	996 504 531 00	protective film	/L	1							
(18)	996 504 532 00	protective film	/R	1							
19	996 504 441 00	strut		2							
	GRV	prime coated									
20	996 504 555 00	support		2							
	GRV	prime coated									
21	900 377 010 09	nut M 6		X							

Model	Year	MG	SG	Illustration	Restrictions	UPD	18:23	26.01.2010	PORSCHE	PET	PORSCHE
GT3-1	2005	8	01	801-45		248					



Pos	Part Number	Description	Remark	Qty	Model
1	A 996 502 137 05	cowl cowl GRV prime coated inner see group 8/07/09 sun visor		1	
1	996 502 137 08	cowl GRV prime coated inner see group 8/07/09 sun visor		1	
2	996 502 527 01	cowl GRV prime coated outer		1	
4	996 502 135 02	reinforcement GRV prime coated inner	/L	1	
(4)	996 502 136 02	reinforcement GRV prime coated inner	/R	1	
(6)	996 503 501 00	outer roof panel GRV prime coated		1	
7	996 502 305 00	roof frame GRV prime coated	/L	1	
(7) A	996 502 306 00	roof frame GRV prime coated	/R	1	
(7)	996 502 306 03	roof frame GRV prime coated	/R	1	
8 A	996 502 505 00	roof frame GRV prime coated		1	
8	996 502 505 01	roof frame GRV prime coated		1	

Model	Year	MG	SG	Illustration	Restrictions	UPD	18:23	26.01.2010	PORSCHE	PET	PORSCHE
GT3-1	2005	8	01	801-50		248					

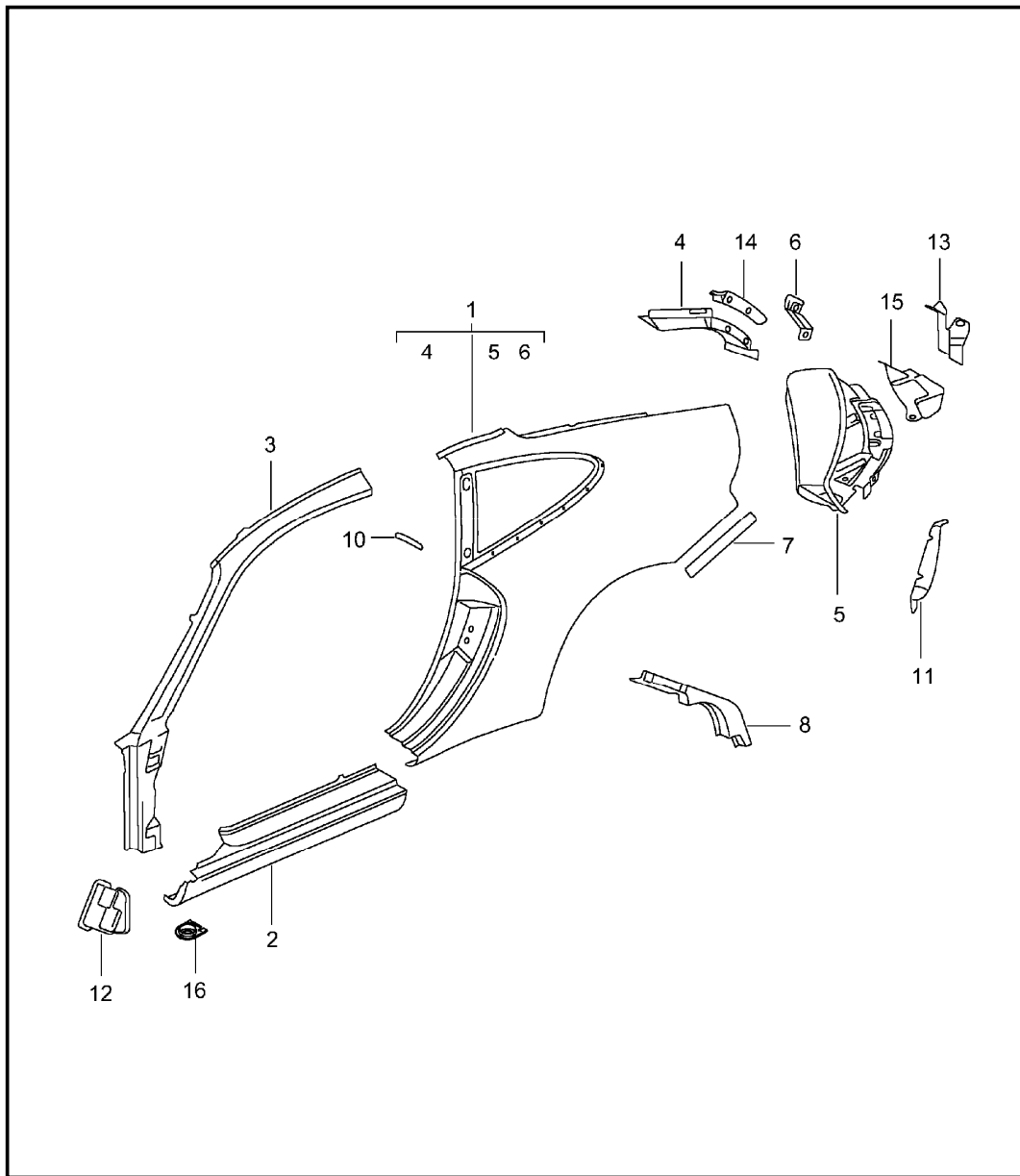


Pos	Part Number	Description	Remark	Qty	Model
		side section inner			
1	996 502 043 02	side section	/L	1	
	GRV	prime coated			
(1)	996 502 044 02	side section	/R	1	
	GRV	prime coated			
2	A 996 502 423 01	reinforcement	/L	1	
	GRV	prime coated			
2	996 502 423 02	reinforcement	/L	1	
	GRV	prime coated			
(2)	A 996 502 424 01	reinforcement	/R	1	
	GRV	prime coated			
(2)	996 502 424 02	reinforcement	/R	1	
	GRV	prime coated			
3	A 996 502 083 00	side section	/L	1	
	GRV	prime coated			
3	996 502 083 02	side section	/L	1	
	GRV	prime coated			
(3)	A 996 502 084 00	side section	/R	1	
	GRV	prime coated			
(3)	996 502 084 02	side section	/R	1	
	GRV	prime coated			
4	996 502 383 00	bracket		2	
	GRV	prime coated			
5	A 996 502 733 00	reinforcement	/L	1	
	GRV	prime coated			
5	996 502 733 01	reinforcement	/L	1	
	GRV	prime coated			
(5)	A 996 502 734 00	reinforcement	/R	1	

Model	Year	MG	SG	Illustration	Restrictions	UPD	18:23	26.01.2010	PORSCHE	PET	PORSCHE
GT3-1	2005	8	01	801-50		248					

Pos	Part Number	Description	Remark	Qty	Model	Pos	Part Number	Description	Remark	Qty	Model
		GRV prime coated									
(5)	996 502 734 01	reinforcement	/R	1							
		GRV prime coated									
-	999 703 433 40	stopper 30 X 42 for POS. 5		10							
6	996 502 115 00	side section	/L	1							
		GRV prime coated									
(6)	996 502 116 00	side section	/R	1							
		GRV prime coated									
7	996 502 515 00	wheel housing	/L	1							
		GRV prime coated									
(7)	996 502 516 00	wheel housing		1							
		GRV prime coated									
8	996 502 161 01	side section	/L	1							
		GRV prime coated									
(8)	996 502 162 01	side section	/R	1							
		GRV prime coated									
9	996 502 219 01	closing element	/L	1							
		GRV prime coated									
(9)	996 502 220 01	closing element	/R	1							
		GRV prime coated									
10	996 502 617 00	pipe		02- 2							
		GRV prime coated see technical manual									
11	996 502 619 00	pipe	/L	02- 1							
		GRV prime coated									
(11)	996 502 620 00	pipe	/R	02- 1							
		GRV prime coated									

Model	Year	MG	SG	Illustration	Restrictions	UPD	18:23	26.01.2010	PORSCHE	PET	PORSCHE
GT3-1	2005	8	01	801-55		248					



Pos	Part Number	Description	Remark	Qty	Model
		side section outer			
1	A 996 503 961 00	side section	/L	1	
	GRV	prime coated			
(1)	A 996 503 962 00	side section	/R	1	
	GRV	prime coated			
(1)	996 503 961 05	side section	/L	1	
	GRV	prime coated			
(1)	996 503 962 05	side section	/R	1	
	GRV	prime coated			
		use also:			
-	999 915 650 40	adhesive TEROMIX 6700		X	
-	000 043 300 48	tool see technical manual group 5 53 55 55		X	
2	996 503 963 00	door sill	/L	1	
	GRV	prime coated			
(2)	996 503 964 00	door sill	/R	1	
	GRV	prime coated			
3	A 996 503 965 00	roof frame	/L	1	
	GRV	prime coated			
(3)	A 996 503 966 00	roof frame	/R	1	
	GRV	prime coated			
(3)	996 503 965 02	roof frame	/L	1	
	GRV	prime coated			
(3)	996 503 966 02	roof frame	/R	1	
	GRV	prime coated			
4	996 502 665 00	sealing channel	/L	1	
	GRV	prime coated			

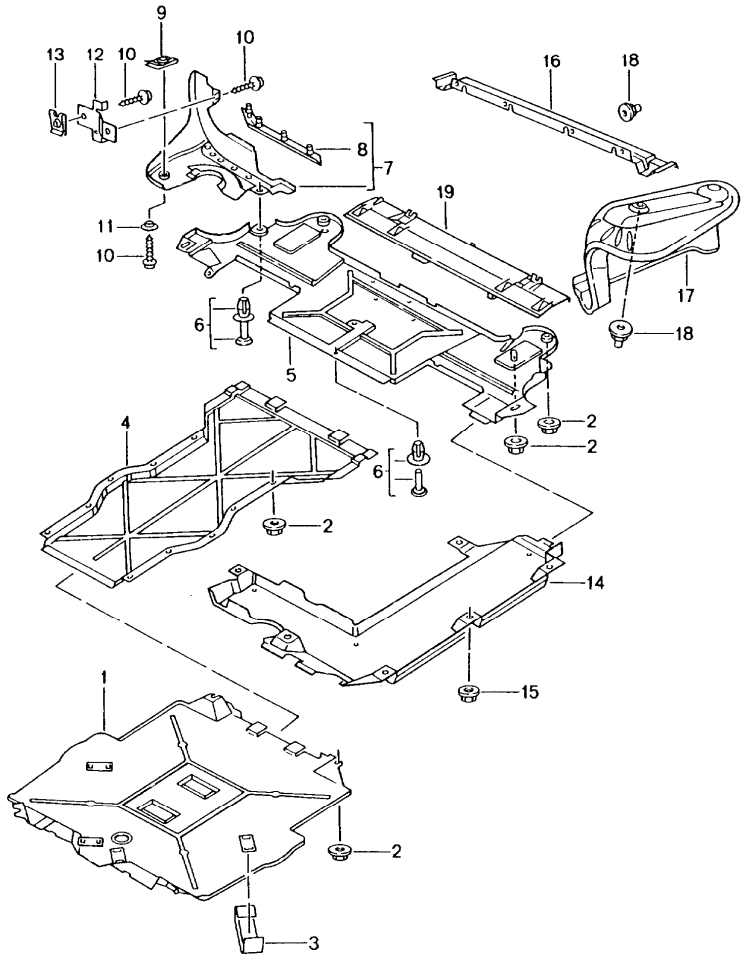
Model	Year	MG	SG	Illustration	Restrictions	UPD	18:23	26.01.2010	PORSCHE	PET	PORSCHE
GT3-1	2005	8	01	801-55		248					

Pos	Part Number	Description	Remark	Qty	Model	Pos	Part Number	Description	Remark	Qty	Model
(4)	996 502 666 00	sealing channel	/R	1			GRV	prime coated			
	GRV	prime coated				(11) A	996 501 856 00	angular plate	/R	-00	1
5	A 996 502 461 02	frame for light	/L	1			GRV	prime coated			
	GRV	prime coated				(11) A	996 501 856 02	angular plate	/R	-00	1
(5)	996 502 461 04	frame for light	/L	1			GRV	prime coated			
	GRV	prime coated				(11)	996 501 856 03	angular plate	/R	01-	1
(5) A	996 502 462 00	frame for light	/R	1			GRV	prime coated			
	GRV	prime coated				12	996 572 311 00	water protection	/L		1
(5)	996 502 462 03	frame for light	/R	1		(12)	996 572 312 00	water protection	/R		1
	GRV	prime coated				13	996 501 503 90	reinforcement	/L		1
6	A 996 502 213 00	bracket	/L	1			GRV	prime coated			
	GRV	prime coated				(13)	996 501 504 90	reinforcement	/R		1
(6)	996 502 213 03	bracket	/L	1			GRV	prime coated			
	GRV	prime coated				14	996 502 813 90	reinforcement	/L		1
(6) A	996 502 214 00	bracket	/R	1			GRV	prime coated			
	GRV	prime coated				(14)	996 502 814 90	reinforcement	/R		1
(6)	996 502 214 03	bracket	/R	1			GRV	prime coated			
	GRV	prime coated				15	996 502 815 90	reinforcement	/L		1
7	996 504 631 00	protective film	/L	1			GRV	prime coated			
(7)	996 504 632 00	protective film	/R	1		(15)	996 502 816 90	reinforcement	/R		1
(8)	996 504 907 00	gasket	/L	1			GRV	prime coated			
(8)	996 504 908 00	gasket see workshop manual	/R	1		16	999 703 475 40	water drain sleeve door sill			2
10	996 537 237 00	protective film		2		-	996 501 365 90	reinforcement	/L		1
11	A 996 501 855 00	angular plate	/L	-00	1		GRV	prime coated			
	GRV	prime coated				-	996 501 366 90	reinforcement	/R		1
(11) A	996 501 855 02	angular plate	/L	-00	1		GRV	prime coated			
	GRV	prime coated				-	996 501 367 90	reinforcement	/L		1
(11)	996 501 855 03	angular plate	/L	01-	1		GRV	prime coated			

Model	Year	MG	SG	Illustration	Restrictions	UPD	18:23	26.01.2010	PORSCHE	PET	PORSCHE
GT3-1	2005	8	01	801-55		248					

Pos	Part Number	Description	Remark	Qty	Model	Pos	Part Number	Description	Remark	Qty	Model
-	996 501 368 90 GRV	reinforcement prime coated	/R	1							

Model	Year	MG	SG	Illustration	Restrictions	UPD	18:24	26.01.2010	PORSCHE	PET	PORSCHE
GT3-1	2005	8	01	801-70		248					

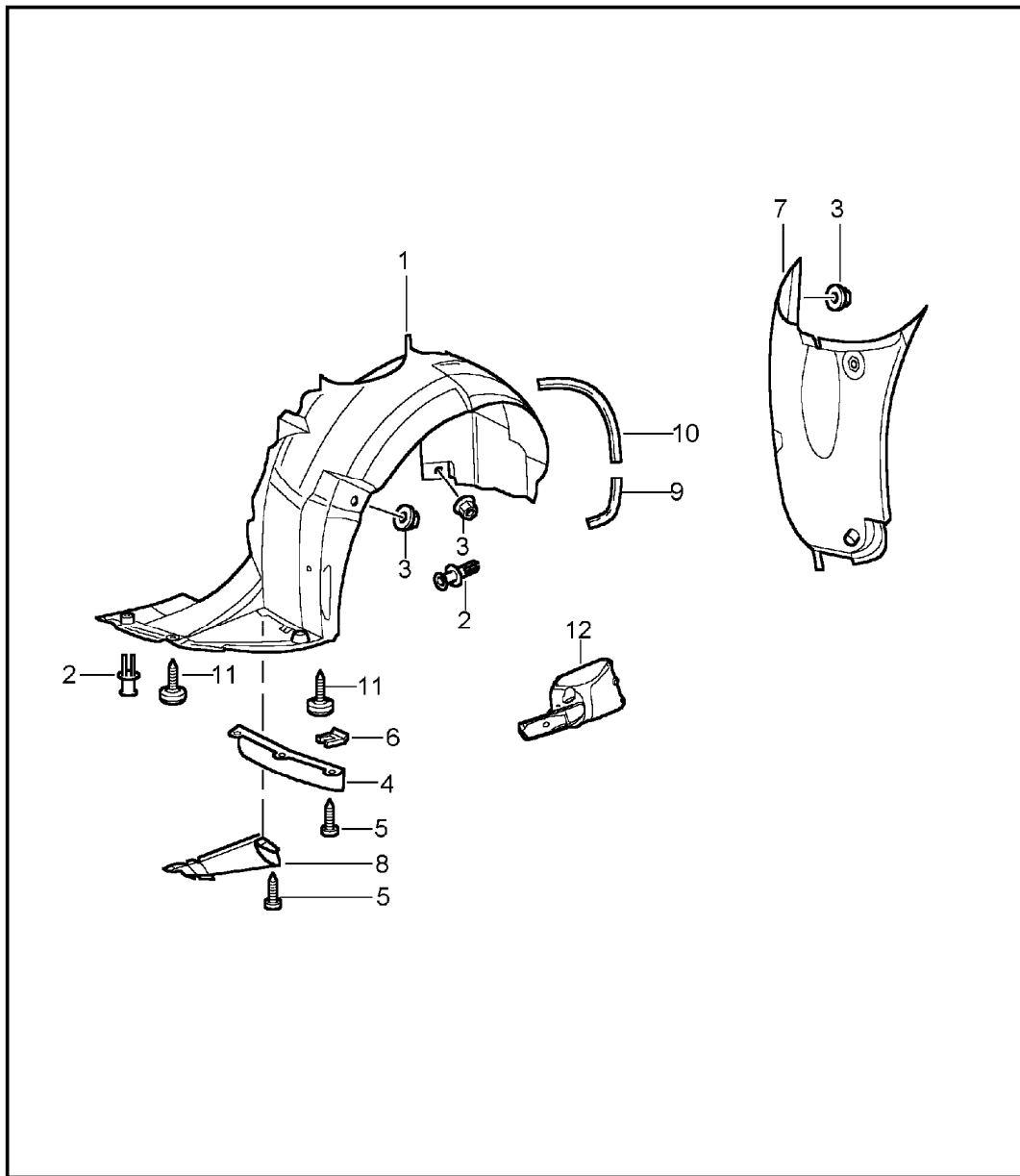


Pos	Part Number	Description	Remark	Qty	Model
		linings for underbody			
1	996 504 527 02	cover		1	
2	999 049 022 40	plastic nut T 5		21	
3	999 507 657 09	clamp		6	
4	996 504 043 02	cover centre		1	
5	996 504 129 01	cover rear		1	
6	999 507 497 40	expansion rivet 8,0 X 14,0		4	
7	996 504 393 01	cover	/L	1	
	01C	satin black			
(7)	996 504 394 01	cover	/R	1	
	01C	satin black			
8	996 504 893 00	rubber lip	/L	1	
(8)	996 504 894 00	rubber lip	/R	1	
9	999 507 348 01	speed nut ST 4,8		4	
10	999 073 061 02	tapping screw ST 4,8 X 16		8	
11	944 503 255 00	spacer sleeve		4	
12	996 504 593 00	support		2	
13	999 507 462 02	speed nut ST 4,8		4	
14	996 504 561 00	cover		1	
15	999 049 022 40	plastic nut T5		6	
16	996 505 471 00	heat protection centre		1	
17	996 505 477 00	heat protection	/L	1	
(17)	996 505 478 00	heat protection	/R	1	

Model	Year	MG	SG	Illustration	Restrictions	UPD	18:24	26.01.2010	PORSCHE	PET	PORSCHE
GT3-1	2005	8	01	801-70		248					

Pos	Part Number	Description	Remark	Qty	Model	Pos	Part Number	Description	Remark	Qty	Model
18	A 999 049 017 09	collar nut		12							
18	999 049 025 09	collar nut T 5		12							
19	996 504 529 01	air duct for transmission		1							

Model	Year	MG	SG	Illustration	Restrictions	UPD	18:24	26.01.2010	PORSCHE	PET	PORSCHE
GT3-1	2005	8	01	801-75		248					

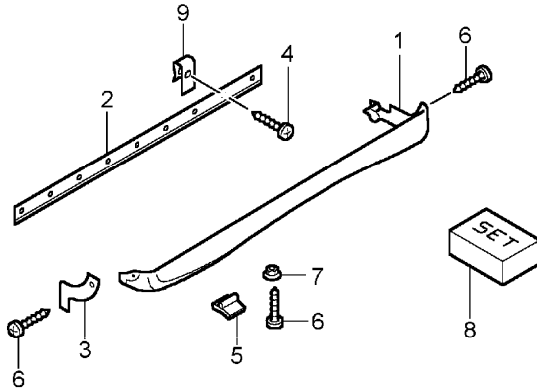
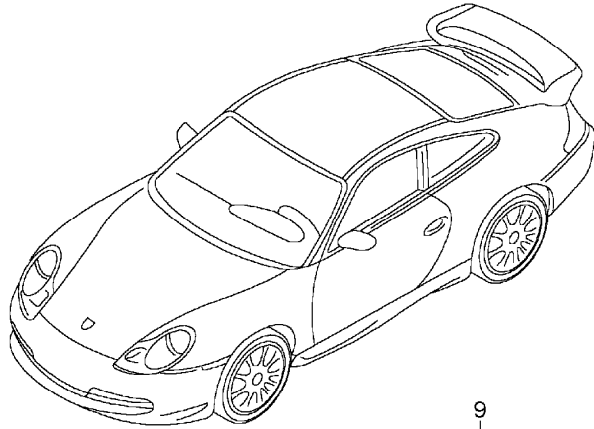


Pos	Part Number	Description	Remark	Qty	Model
		linings for wheel housing			
(1)	996 504 123 01	wheel-housing liner	/L/V	-02	1
(1)	996 504 124 01	wheel-housing liner front	/R/V	-02	1
(1)	996 504 123 91	wheel-housing liner	/L/V	03-	1
(1)	996 504 124 91	wheel-housing liner front	/R/V	03-	1
(1)	996 504 103 00	wheel-housing liner	/L/H		1
(1)	996 504 104 00	wheel-housing liner	/R/H		1
2	999 507 497 40	expansion rivet 8,0 X 14,0			13
3	999 049 022 40	plastic nut T5			10
4	996 504 503 00	rubber lip	/L		1
(4)	996 504 504 00	rubber lip	/R		1
5	999 073 061 02	tapping screw ST 4,8 X 16			6
6	999 591 699 02	speed nut ST 4,8			12
7 A	996 504 573 00	wheel-housing liner	/L		1
(7)	996 504 573 02	wheel-housing liner	/L		1
(7) A	996 504 574 00	wheel-housing liner	/R		1
(7)	996 504 574 02	wheel-housing liner	/R		1
8	996 504 603 00	air duct	/L		1
(8)	996 504 604 00	air duct	/R		1
9	999 911 663 40	sealing strap 10 X 10 X 180			2
10 A	999 911 664 40	sealing strap 15 X 20 X 680			2
10	999 911 695 40	sealing strap 10 X 30 X 680			2
(11)	999 073 227 09	shouldered bolt ST 4,8 X 19			4

Model	Year	MG	SG	Illustration	Restrictions	UPD	18:24	26.01.2010	PORSCHE	PET	PORSCHE
GT3-1	2005	8	01	801-75		248					

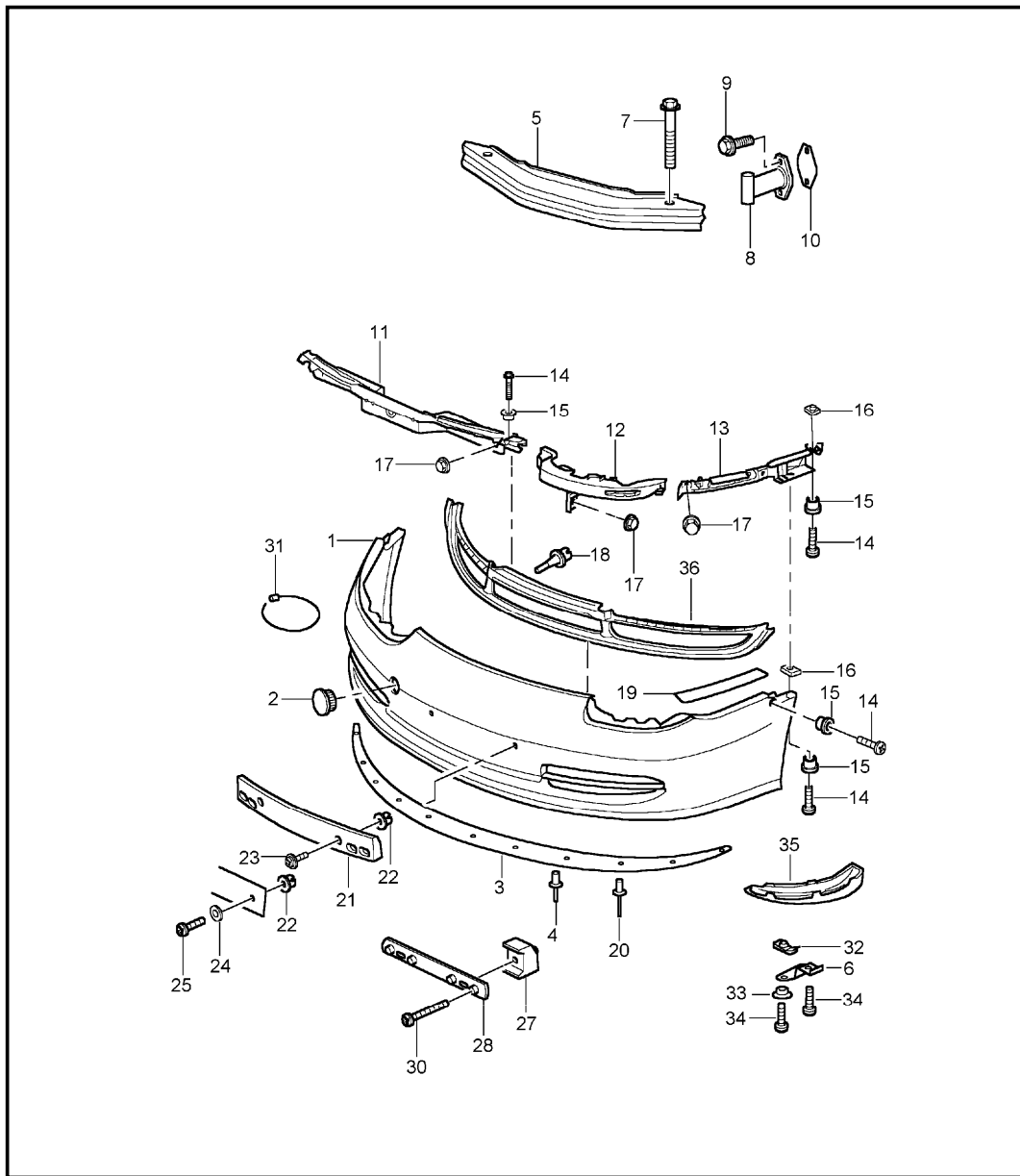
Pos	Part Number	Description	Remark	Qty	Model	Pos	Part Number	Description	Remark	Qty	Model
12	996 575 231 30	air duct	/L/V	1							
(12)	996 575 232 30	air duct	/R/V	1							
-	999 507 785 40	cable holder		4							

Model	Year	MG	SG	Illustration	Restrictions	UPD	18:24	26.01.2010	PORSCHE	PET	PORSCHE
GT3-1	2005	8	01	801-80		248					



Pos	Part Number	Description	Remark	Qty	Model
		sill cover			
1	996 559 981 01	sill cover	/L	-02	1
	G2X	prime coated			
(1)	996 559 983 03	sill cover	/L	03-	1 M002
	G2X	prime coated			
(1)	996 559 980 01	sill cover	/R	-02	1
	G2X	prime coated			
(1)	996 559 984 03	sill cover	/R	03-	1 M002
	G2X	prime coated			
2	996 559 982 00	retaining strip			2
3	A 996 559 985 00	adhesive film	/L		1
(3)	996 559 985 01	adhesive film	/L		1
(3)	A 996 559 986 00	adhesive film	/R		1
(3)	996 559 986 01	adhesive film	/R		1
4	900 145 041 07	counters. head tapp. screw ST 3,5 X 16			22
5	999 507 640 09	u-clamp			X
6	999 073 060 02	tapping screw ST 4,8 X 13			16
(6)	999 073 231 09	tapping screw ST 4,8 X 16			X
7	944 503 255 00	spacer sleeve			16
8	000 044 000 37	adhesive set			1
9	999 591 699 02	speed nut ST 4,8			X

Model	Year	MG	SG	Illustration	Restrictions	UPD	18:24	26.01.2010	PORSCHE	PET	PORSCHE
GT3-1	2005	8	02	802-00		248					

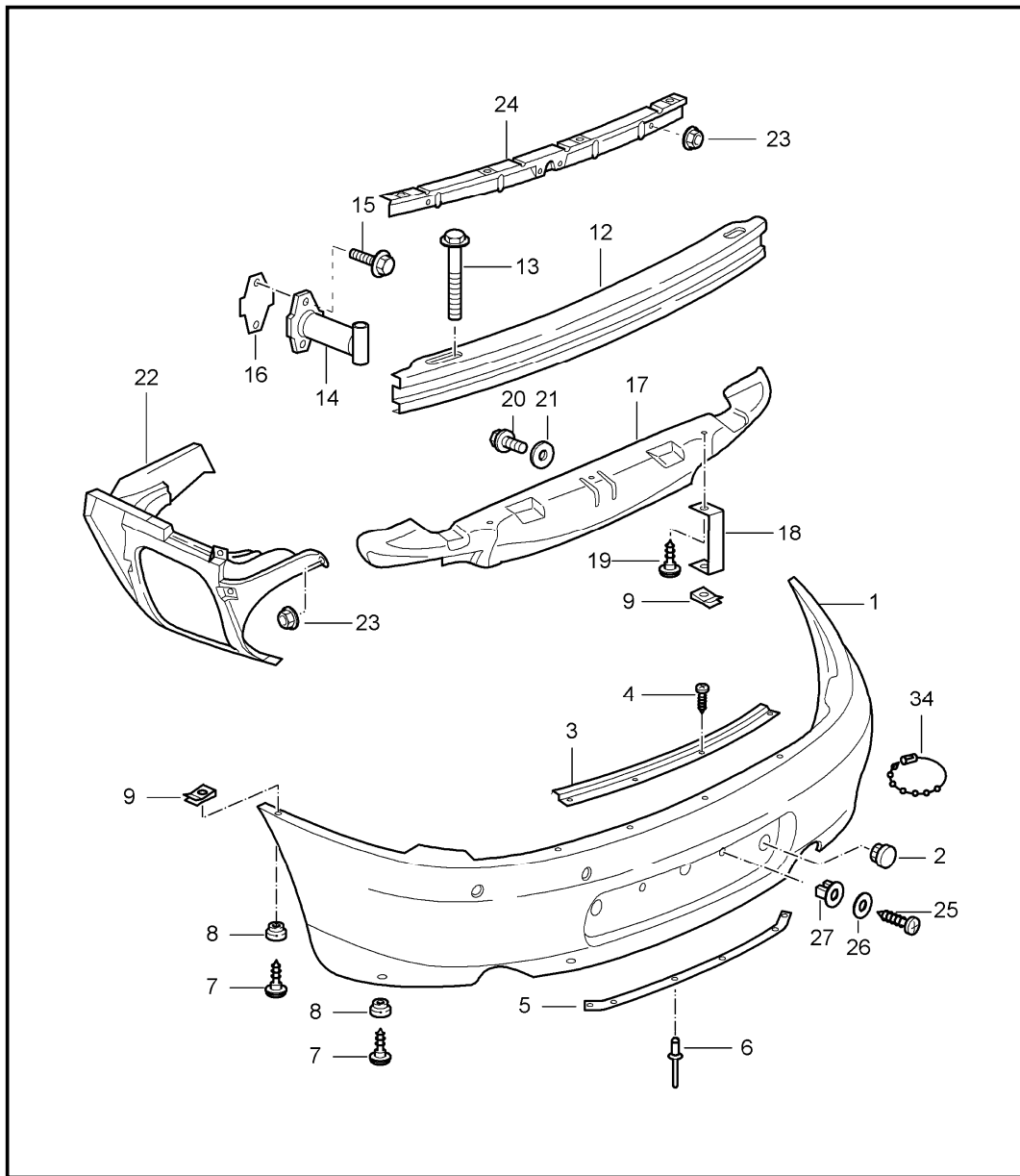


Pos	Part Number	Description	Remark	Qty	Model
1	996 505 980 03	bumper front			
		G2X prime coated			
(1)	996 505 983 02	lining	-02	1	
		G2X prime coated			
(1)	996 505 980 92	lining	03-	1	
		900 white			M004
2	964 505 103 00	cap		1	
		G2X prime coated			
3	996 505 986 00	spoiler	-02	1	
(3)	996 505 986 92	spoiler	03-	1	
		01C black			
-	000 043 206 04	adhesive tape roller 4 METER	03-	X	
4	999 507 427 40	expansion rivet ST 6,3		11	
5	996 505 011 00	bumper reinforcement		1	
(5)	996 505 011 01	bumper reinforcement		1	M215
(5)	996 505 011 05	bumper reinforcement	03-	1	
6	996 505 989 00	retaining bracket	-02	2	
7	900 378 088 09	hexagon-head bolt M 12 X 100		2	
8	996 505 019 01	impact pipe		2	
(8)	996 505 015 00	impact absorber	03-	2	M058
9	900 075 457 02	combination screw M 8 X 30		4	
10	996 505 775 00	desk pad		2	
(10)	996 505 775 01	desk pad		2	M058
11	996 505 531 01	retaining strip centre		1	

Model	Year	MG	SG	Illustration	Restrictions	UPD	18:24	26.01.2010	PORSCHE	PET	PORSCHE
GT3-1	2005	8	02	802-00		248					

Pos	Part Number	Description	Remark	Qty	Model	Pos	Part Number	Description	Remark	Qty	Model
12	996 505 539 00	bracket	/L -02	1		32	999 591 699 02	speed nut ST 4,8	-02	4	
(12)	996 505 540 00	bracket	/R -02	1		34 A	999 073 198 09	tapping screw	-02	4	
(12)	996 505 539 02	bracket	/L 03-	1		34	999 073 227 09	shouldered bolt ST 4,8 X 19		4	
(12)	996 505 540 02	bracket	/R 03-	1		35	996 505 741 01	cover	/L 03-	1	
13	996 505 535 03	retaining strip	/L	1			01C	satin black			
(13)	996 505 536 03	retaining strip	/R	1		(35)	996 505 742 01	cover	/R 03-	1	
14	900 144 101 02	tapping screw B 4,8 X 19		X			01C	satin black			
15	999 209 045 09	spacer		X		36	996 505 561 02	air inlet	03-	1	
16	999 507 072 02	speed nut B 4,8		X			01C	satin black			
17	999 084 633 09	hexagon nut M 6		X							
18	996 641 142 00	temperature sensor		1							
19	000 043 204 83	adhesive tape roller 16,5 METER	-02	X							
20	999 507 497 40	expansion rivet	-02	2							
21	996 701 105 00	support number plate		1	M211						
22	999 507 040 40	expander nut 4,2		X							
23	900 143 151 02	combination screw 4,2 X 16		2	M210/M211						
24	900 025 024 40	washer		X	M210/M211 M218						
25	900 143 134 00	tapping screw B 4,2 X 9,5		X	M210/M211 M218						
27	996 701 801 00	spacer	/L	1							
(27)	996 701 802 00	spacer	/R	1							
28	911 701 121 03	support		1	M210						
30	900 145 012 07	counters. head tapp. screw B 4,2 X 32		2	M210/M218						
31	999 651 225 40	safety rope		1							

Model	Year	MG	SG	Illustration	Restrictions	UPD	18:24	26.01.2010	PORSCHE	PET	PORSCHE
GT3-1	2005	8	02	802-05		248					

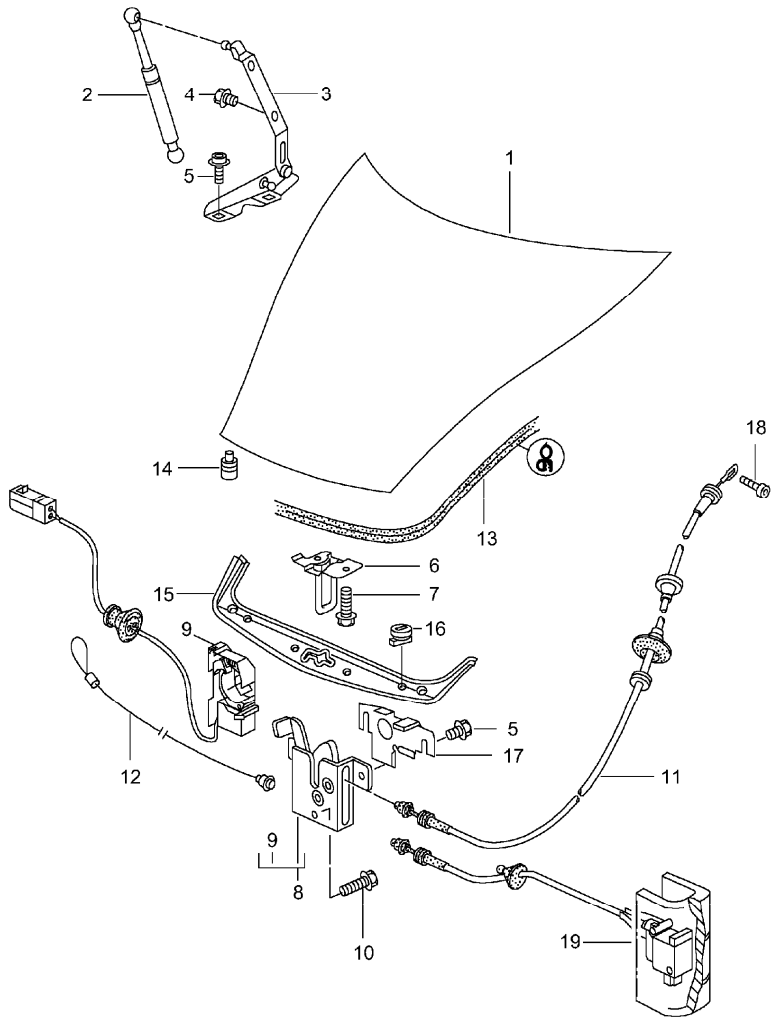


Pos	Part Number	Description	Remark	Qty	Model
1	996 505 411 08	bumper rear			
		lining	-01	1	
		G2X prime coated			
(1)	996 505 411 12	lining	02-	1	
		G2X prime coated			
(1)	996 505 411 13	lining	02-	1	M215
		G2X prime coated			
2	964 505 103 00	cap		1	
		G2X prime coated			
(2)	996 505 803 00	cap	03-	1	
		G2X prime coated			
3	996 505 833 00	retaining strip		1	
4	900 144 101 02	tapping screw B 4,8 X 19		4	
5	996 505 837 00	retaining strip	-02	1	
(5)	996 505 837 02	retaining strip	03-	1	
6	999 190 104 30	blind rivet 3,2 X 7,9		4	
7	A 999 073 198 09	tapping screw		8	
(7)	999 073 227 09	shouldered bolt ST 4,8 X 19		8	
8	944 503 255 00	spacer		6	
9	999 507 072 02	speed nut 4,8		4	
12	996 505 021 00	bumper reinforcement	-01	1	
(12)	996 505 021 04	bumper reinforcement	02-	1	
(12)	996 505 021 05	bumper reinforcement	02-	1	M215
13	900 378 088 09	hexagon-head bolt M 12 X 100		2	
14	996 505 019 01	impact pipe		2	

Model	Year	MG	SG	Illustration	Restrictions	UPD	18:24	26.01.2010	PORSCHE	PET	PORSCHE
GT3-1	2005	8	02	802-05		248					

Pos	Part Number	Description	Remark	Qty	Model	Pos	Part Number	Description	Remark	Qty	Model
15	900 075 457 02	hexagon-head bolt M 8 X 30		4							
16	993 505 775 00	seal		2							
17	996 505 475 00	heat protection	-01	1							
(17)	996 505 475 02	heat protection	02-	1							
18	996 505 639 00	rear support	-01	2							
(18)	996 505 639 02	rear support	02-	2							
19	999 075 048 02	combination screw M 6 X 22		2							
20	900 278 025 02	hexagon-head bolt M 5 X 12		1							
21	999 025 243 02	spacer		1							
22	996 505 631 00	retaining frame	/L	-01	1						
(22)	996 505 631 01	retaining frame	/L	02-	1						
(22)	996 505 632 00	retaining frame	/R	-01	1						
(22)	996 505 632 01	retaining frame	/R	02-	1						
23	999 084 633 09	hexagon nut M 6		13							
24	996 505 831 00	retaining strip centre		1							
25	900 143 151 02	combination screw B 4,2 X 16		2							
26	999 025 235 40	rubber washer		X							
27	999 507 040 40	expander nut 4,2		2							
34	999 651 225 40	safety rope		1							

Model	Year	MG	SG	Illustration	Restrictions	UPD	18:25	26.01.2010	PORSCHE	PET	PORSCHE
GT3-1	2005	8	03	803-00		248					

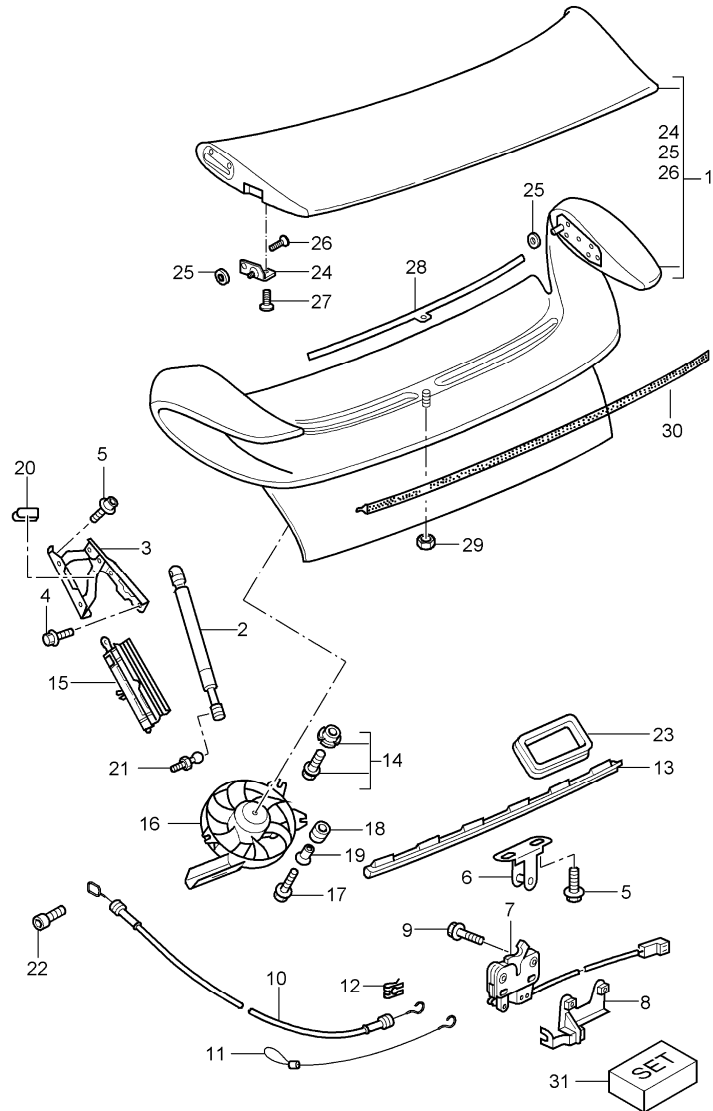


Pos	Part Number	Description	Remark	Qty	Model
1	996 511 011 02	lid front		1	
	GRV	prime coated			
		use also:			
-	000 043 204 38	sealing material		1	
(1)	996 511 011 91	lid	04-	1	M004
	G2X	prime coated			
2	996 511 551 01	gas-pressure spring		2	
(2)	996 511 551 91	gas-pressure spring	04-	2	M004
3	996 511 151 01	hinge	/L	1	
(3)	996 511 152 01	hinge	/R	1	
4	900 378 036 09	hexagon-head bolt M 6 X 12		4	
5	900 075 466 09	combination screw M 6 X 16		6	
6	996 511 051 02	lock upper part		1	
7	900 378 173 09	hexagon-head bolt M 6 X 20		2	
8 A	996 511 053 01	lock lower part		1	
(8)	996 511 053 02	lock lower part		1	
9	996 613 206 00	microswitch		1	
10	900 075 347 02	screw M 6 X 28		1	
11	996 511 017 01	traction	/LL	-00	1
(11)	996 511 018 00	traction	/RL	-00	1
12	996 511 521 00	emergency operation		1	
13	996 511 611 00	gasket		1	
14	999 703 140 40	buffer		2	
15	996 504 811 00	trim cover	-01	1	
	01C	satin black			
15	996 504 811 02	trim cover	02-	1	

Model	Year	MG	SG	Illustration	Restrictions	UPD	18:25	26.01.2010	PORSCHE	PET	PORSCHE
GT3-1	2005	8	03	803-00		248					

Pos	Part Number	Description	Remark	Qty	Model	Pos	Part Number	Description	Remark	Qty	Model
	01C	satin black									
16	999 590 036 40	catch		4							
	01C	satin black									
17	996 511 653 00	cover		1							
18	900 119 121 09	pan-head screw M 4 X 14		1							
19	996 511 127 00	actuator	01-	1							

Model	Year	MG	SG	Illustration	Restrictions	UPD	18:25	26.01.2010	PORSCHE	PET	PORSCHE
GT3-1	2005	8	03	803-05		248					

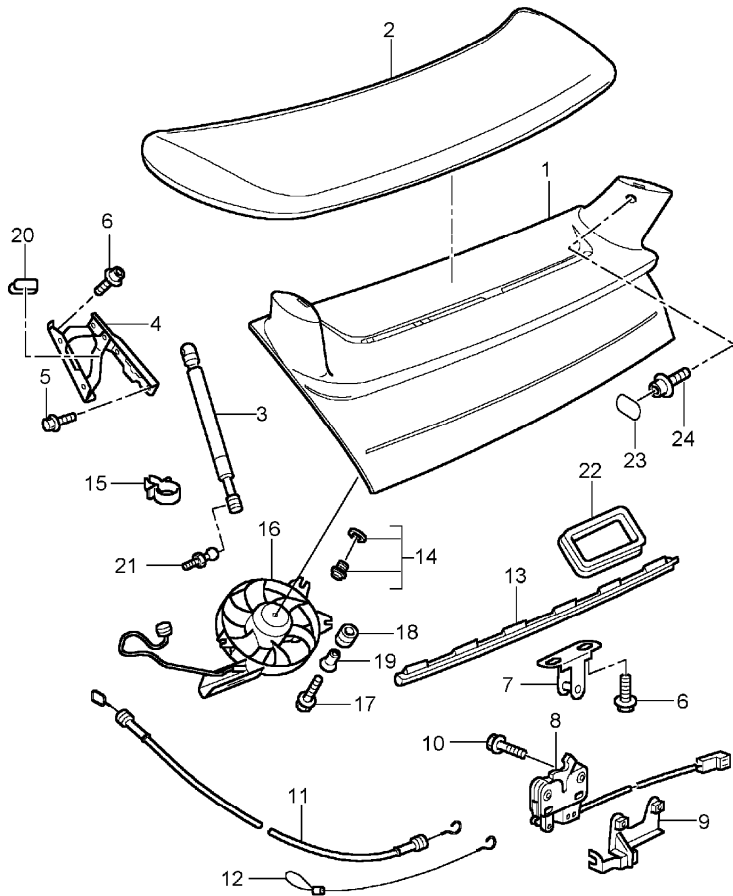


Pos	Part Number	Description	Remark	Qty	Model
		lid rear	-02		
1	996 512 901 91	lid		1	
		G2X prime coated			
2	996 512 551 03	gas-pressure spring		2	
3	996 512 151 01	hinge	/L	1	
(3)	996 512 152 01	hinge	/R	1	
4	900 378 155 09	hexagon-head bolt M 6 X 16		4	
5	900 075 466 09	combination screw M 6 X 16		6	
6	996 512 213 00	lock upper part		1	
7	996 512 053 03	lock lower part		1	
8	996 512 753 03	mounting plate		1	
9	900 378 168 09	hexagon-head bolt M 6 X 30		2	
10	996 512 017 00	traction	/LL	1	
(10)	996 512 018 00	traction	/RL	1	
11	996 512 521 00	emergency operation		1	
12	999 166 054 02	sl-lock		1	
13	996 512 611 01	gasket		1	
14	996 512 987 00	buffer		2	
15	996 610 230 00	cable holder		1	
16	996 624 036 04	blower		1	
17	900 378 030 09	hexagon-head bolt M 6 X 20		3	
18	999 703 451 40	rubber sleeve		3	
19	999 209 049 02	spacer sleeve		3	
20	996 512 153 00	stop		2	
21	999 167 049 02	ball pin M 6		1	

Model	Year	MG	SG	Illustration	Restrictions	UPD	18:25	26.01.2010	PORSCHE	PET	PORSCHE
GT3-1	2005	8	03	803-05		248					

Pos	Part Number	Description	Remark	Qty	Model	Pos	Part Number	Description	Remark	Qty	Model
21	999 167 042 02	ball pin M 8		1							
22	900 119 121 09	pan-head screw M 4 X 14		1							
23	996 512 143 90	gasket		1							
24	996 512 993 00	bracket	/L	1							
(24)	996 512 994 00	bracket	/R	1							
25	996 512 902 00	washer		4							
26	900 249 034 02	countersunk-head screw M 5 X 12		4							
27	900 249 041 01	countersunk-head screw M 6 X 16		4							
28	996 512 985 00	strip		1							
29	900 360 001 02	hexagon nut M 4		1							
30	996 512 988 00	spoiler		1							
31	000 044 000 37	adhesive set		1							

Model	Year	MG	SG	Illustration	Restrictions	UPD	18:25	26.01.2010	PORSCHE	PET	PORSCHE
GT3-1	2005	8	03	803-06		248					

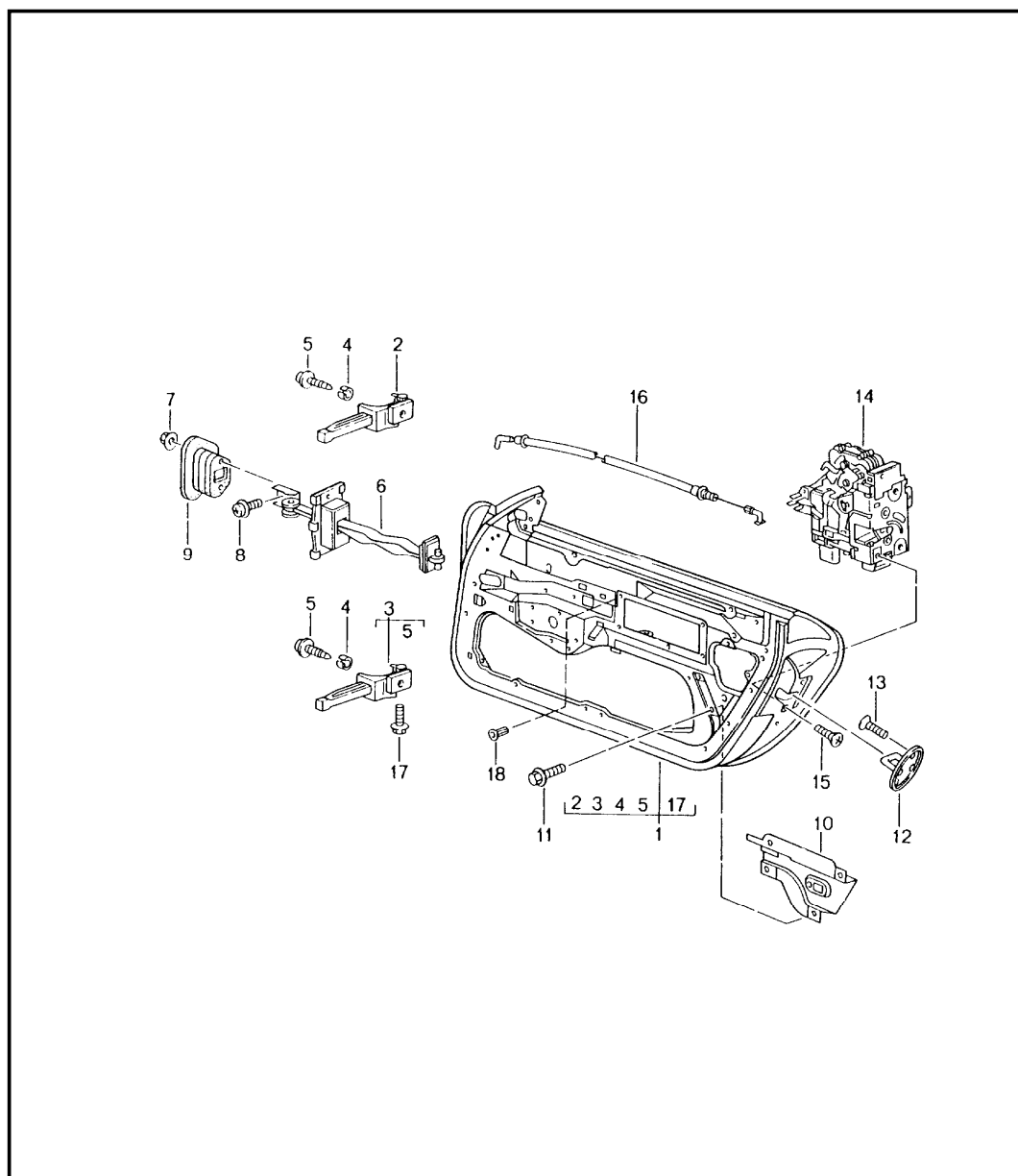


Pos	Part Number	Description	Remark	Qty	Model
		lid rear		03-	
1	996 512 901 93	lid		1	
	G2X	prime coated			
(1)	996 512 991 94	lid		04-	1 M004
	900	carrara white with air box			
2	996 512 959 00	spoiler		1	
	G2X	prime coated			
(2)	996 512 959 94	spoiler		04-	1 M004
-	996 512 983 94	plate	/L	04-	1 M004
-	996 512 984 94	plate	/R	04-	1 M004
-	999 073 334 00	round head screw M 6 X 16		04-	X M004
3	996 512 551 03	gas-pressure spring		2	
4	996 512 151 01	hinge	/L	1	
(4)	996 512 152 01	hinge	/R	1	
5	900 378 155 09	hexagon-head bolt M 6 X 16		4	
6	900 075 466 09	combination screw M 6 X 16		6	
7	996 512 213 00	lock upper part		1	
8	996 512 053 03	lock lower part		1	
9	996 512 753 03	mounting plate		1	
10	900 378 168 09	hexagon-head bolt M 6 X 30		2	
11	996 512 017 00	traction		1	
12	996 512 521 00	emergency operation		1	
13	996 512 611 01	gasket lid		1	
14	996 512 987 00	buffer		2	
15	999 651 269 40	cable holder		3	

Model	Year	MG	SG	Illustration	Restrictions	UPD	18:25	26.01.2010	PORSCHE	PET	PORSCHE
GT3-1	2005	8	03	803-06		248					

Pos	Part Number	Description	Remark	Qty	Model	Pos	Part Number	Description	Remark	Qty	Model
16	996 624 036 04	blower		1							
17	900 378 223 09	hexagon-head bolt M 6 X 25		3							
18	999 703 451 40	rubber sleeve		3							
19	999 209 049 02	spacer sleeve		3							
20	996 512 153 00	stop		2							
21	999 167 042 02	ball pin		1							
22	996 110 143 91	gasket air cleaner system		1							
23	996 512 965 00	cap	/L	1							
	G2X	prime coated									
(23)	996 512 966 00	cap	/R	1							
	G2X	prime coated									
24	999 073 168 09	screw M 8 X 16		2							
-	996 512 821 90	adjusting mechanism 4GRAD set left right		X							
-	996 512 823 90	adjusting mechanism 8GRAD set left right		X							

Model	Year	MG	SG	Illustration	Restrictions	UPD	18:25	26.01.2010	PORSCHE	PET	PORSCHE
GT3-1	2005	8	04	804-00		248					

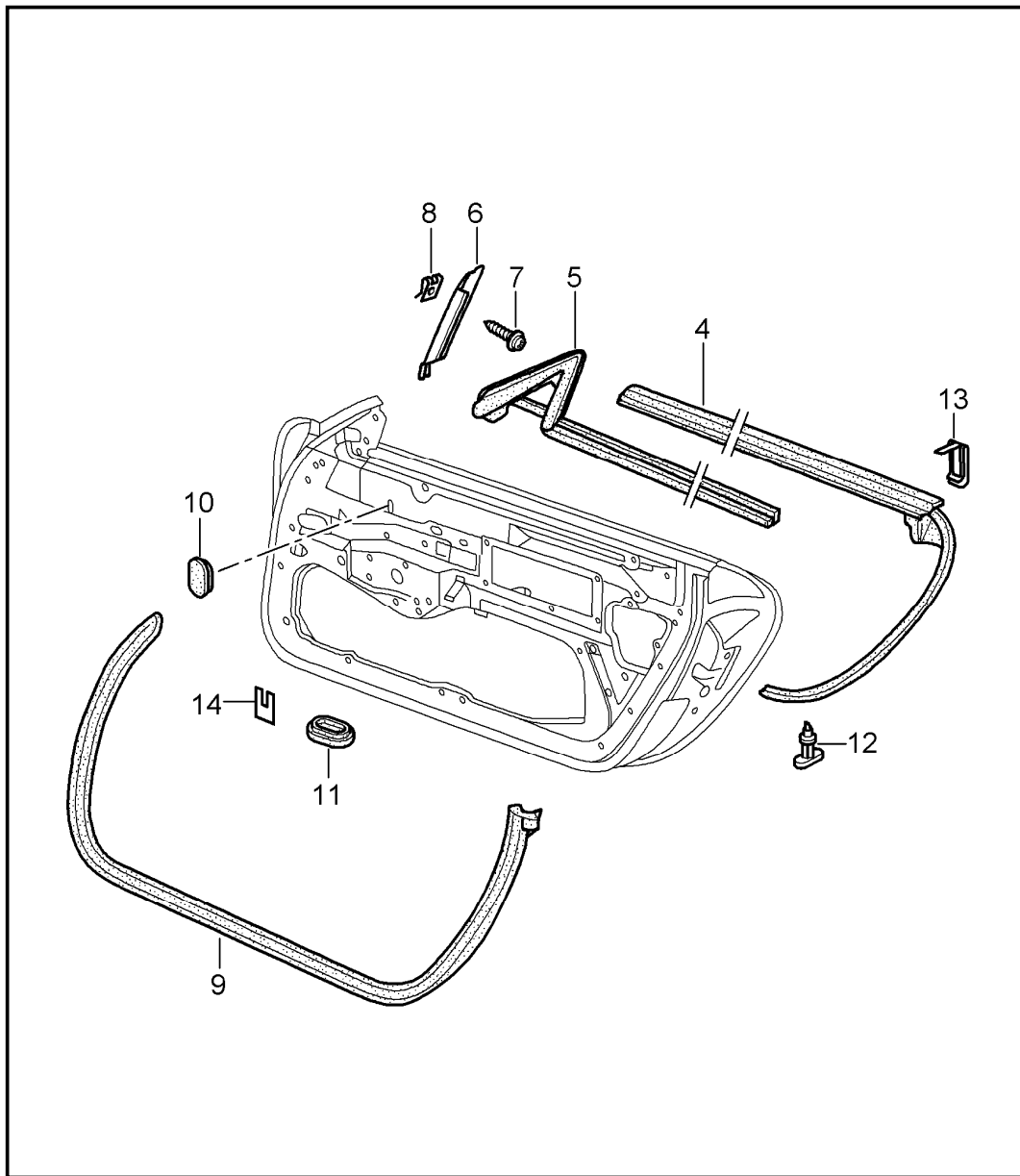


Pos	Part Number	Description	Remark	Qty	Model
1	A 996 531 011 02	door in white installation parts door lock		1	
	GRV	prime coated use also: POS.17 see technical information group 5 5/00	/L		
(1)	A 996 531 012 02	door in white	/R	1	
	GRV	prime coated use also: POS.17 see technical information group 5 5/00			
(1)	996 531 011 05	door in white	/L	1	M002
	GRV	prime coated use also: POS.17 see technical information group 5 5/00			
(1)	996 531 012 05	door in white	/R	1	M002
	GRV	prime coated use also: POS.17 see technical information group 5 5/00			
-	000 043 204 38	sealing material		1	
2	996 531 321 04	hinge	/L	1	M002
(2)	996 531 322 04	hinge	/R	1	M002
3	996 531 319 03	hinge	/L	1	M002
(3)	996 531 320 03	hinge	/R	1	M002
4	996 531 831 00	sleeve		4	
5	999 073 192 02	pan-head screw M 8 X 33		2	
6	996 537 151 02	door arrester		2	M002

Model	Year	MG	SG	Illustration	Restrictions	UPD	18:25	26.01.2010	PORSCHE	PET	PORSCHE
GT3-1	2005	8	04	804-00		248					

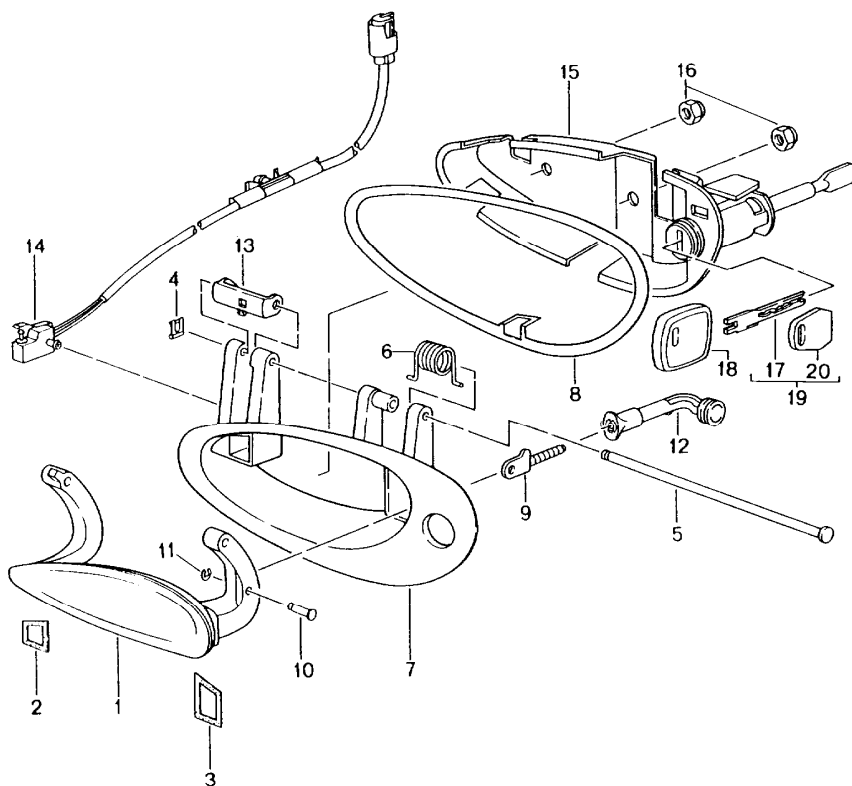
Pos	Part Number	Description	Remark	Qty	Model	Pos	Part Number	Description	Remark	Qty	Model
7	999 084 212 02	nut M 6		4		-	996 537 546 00	cover lock	/R	1	
8	999 073 138 09	screw M 8 X 25		2							
9	996 537 751 00	seal		2							
10	996 537 523 00	bracket	/L	1	M002						
	GRV	prime coated									
(10)	996 537 524 00	bracket	/R	1	M002						
	GRV	prime coated									
11	900 075 487 09	combination screw M 6 X 16		10							
12	3B0 837 033 P	closing element		2							
13	N 907 985 02	countersunk-head screw M 8 X 16,5		4							
14	8N1 837 015 B	door lock	/LL/L	1							
(14)	8N1 837 016 B	door lock	/LL/R	1							
(14)	8N1 837 015 B	door lock	/LL/L	03-	M002						
(14)	8N1 837 016 B	door lock	/LL/R	03-	M002						
(14)	3B1 837 016 M	door lock	/LL/R	1	M534/535						
(14)	8N2 837 015 B	door lock	/RL/L	1							
(14)	3B2 837 015 F	door lock	/RL/L	1	M534/535						
(14)	8N2 837 016 B	door lock	/RL/R	1							
15	N 908 005 01	screw M 8 X 14		4							
16	996 537 320 03	bowden cable see workshop manual group 70 59 19		2							
17	999 072 043 09	hexagon-head bolt M 6 X 12 micro-self-locking		4							
18	999 500 066 02	blind rivet nut M 6/0,5 - 3		6	M563						
-	996 537 545 00	cover lock	/L	1							

Model	Year	MG	SG	Illustration	Restrictions	UPD	18:25	26.01.2010	PORSCHE	PET	PORSCHE
GT3-1	2005	8	04	804-10		248					



Pos	Part Number	Description	Remark	Qty	Model
		door seal			
4	996 537 085 07	gasket outer	/L	1	
4	996 537 086 07	gasket outer	/R	1	
5 A	996 537 531 05	sealing for door slot	/L	-01	1
(5)	996 537 531 06	gasket inner	/L	02-	1
5 A	996 537 532 05	sealing for door slot	/R	-01	1
(5)	996 537 532 06	gasket inner	/R	02-	1
6 A	996 537 725 01	window guide	/L	-02	1
(6)	996 537 725 02	window guide	/L		1
(6) A	996 537 726 01	window guide	/R	-02	1
(6)	996 537 726 02	window guide	/R		1
7	999 073 047 02	tapping screw ST 3,5 X 9,5			2
8	999 591 725 02	speed nut ST 3,5			2
9	996 537 075 03	gasket	/L		1
(9)	996 537 076 03	gasket	/R		1
10	999 703 441 40	lid 20 X 28 X 1			4
11	999 703 417 40	lid 24 X 39			8
12	999 507 578 40	clip gasket outer			36
13	999 507 571 02	clamp			2
14	996 537 337 00	protective film			4

Model	Year	MG	SG	Illustration	Restrictions	UPD	18:26	26.01.2010	PORSCHE	PET	PORSCHE
GT3-1	2005	8	04	804-20		248					

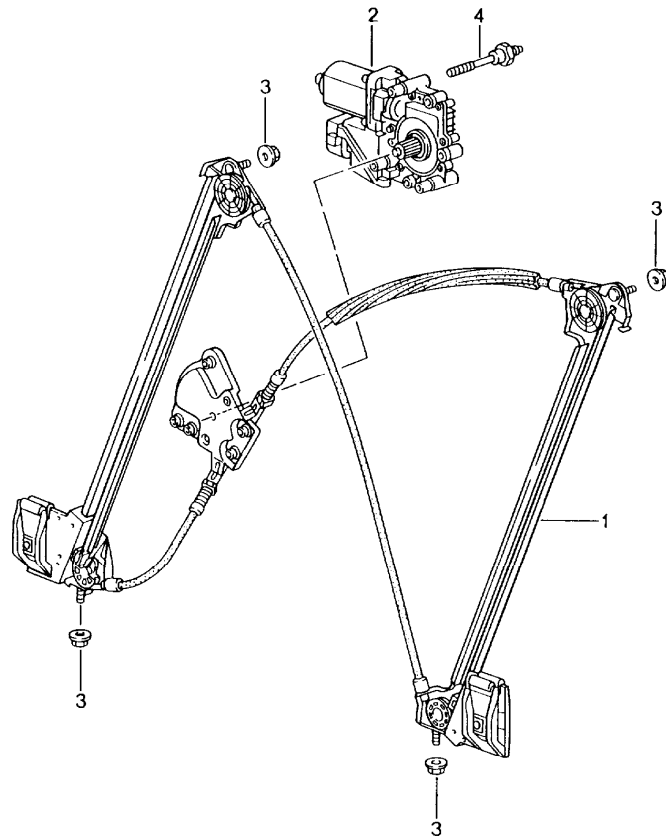


Pos	Part Number	Description	Remark	Qty	Model
		door handle			
1	996 537 613 01	handle	/L	1	
	G2X	prime coated			
(1)	996 537 614 01	handle	/R	1	
	G2X	prime coated			
2	996 537 623 01	buffer		2	
3	996 537 625 00	buffer		2	
4	996 537 631 00	sl-lock		2	
5	996 537 621 00	axle		2	
6	996 537 611 00	return spring	/L	1	
(6)	996 537 612 00	return spring	/R	1	
7	996 537 645 01	handle liner	/LL/L	1	
	G2X	prime coated			
(7)	996 537 645 01	handle liner	/RL/L	1	M532
	G2X	prime coated			
(7)	996 537 647 01	handle liner	/RL/L	1	M534/535
	G2X	prime coated			
(7)	996 537 646 01	handle liner	/LL/R	1	M532
	G2X	prime coated			
(7)	996 537 646 01	handle liner	/RL/R	1	
	G2X	prime coated			
(7)	996 537 648 01	handle liner	/LL/R	1	M534/535
	G2X	prime coated			
8	996 537 637 00	desk pad	/L	1	
(8)	996 537 638 00	desk pad	/R	1	
9	996 537 627 00	control shaft		2	
10	996 537 629 01	bolt		2	
11	996 537 641 00	lock washer		2	
12	996 537 445 02	connecting piece		2	

Model	Year	MG	SG	Illustration	Restrictions	UPD	18:26	26.01.2010	PORSCHE	PET	PORSCHE
GT3-1	2005	8	04	804-20		248					

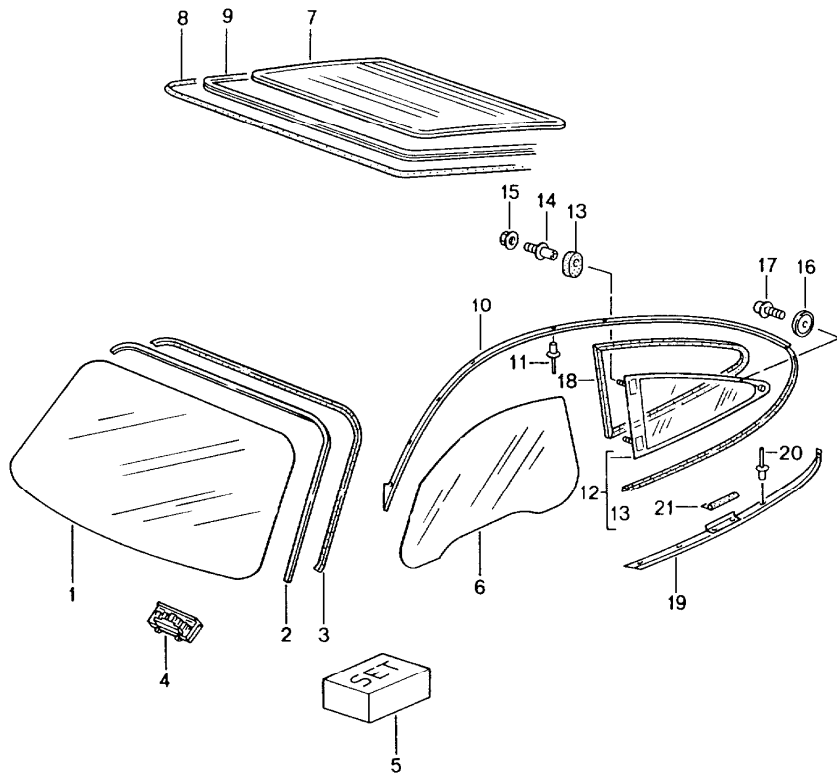
Pos	Part Number	Description	Remark	Qty	Model	Pos	Part Number	Description	Remark	Qty	Model
13	996 537 653 00	eccentric	/L	1							
(13)	996 537 654 00	eccentric	/R	1							
14	996 613 125 00	microswitch power windows	/L	1							
(14)	996 613 126 00	microswitch power windows	/R	1							
15	996 537 963 02	support with lock cylinder w/o stipulated lock number	/L	1							
(15)	996 537 964 02	support with lock cylinder w/o stipulated lock number	/R	1							
(15)	996 537 963 03	support with lock cylinder with stipulated lock number state lock number	/L	1							
(15)	996 537 964 03	support with lock cylinder with stipulated lock number state lock number	/R	1							
(15)	996 537 063 03	support without lock cylinder	/RL/L	1							
(15)	996 537 064 03	support without lock cylinder	/LL/R	1							
16	900 380 015 09	nut M 6		4							
17	996 538 531 00	blank key		X							
18	996 538 423 01	key cap		X							
19	996 538 932 00	replacement key with stipulated lock number state lock number Information available		X							
20	944 538 431 00	key cap		X							

Model	Year	MG	SG	Illustration	Restrictions	UPD	18:26	26.01.2010	PORSCHE	PET	PORSCHE
GT3-1	2005	8	04	804-30		248					



Pos	Part Number	Description	Remark	Qty	Model
		power windows			
1	996 542 075 04	power windows	/L	1	
(1)	996 542 076 04	power windows	/R	1	
2	A 996 624 101 03	electric motor	/L -02	1	
(2)	996 624 101 05	electric motor	/L	1	
(2) A	996 624 102 03	electric motor	/R -02	1	
(2)	996 624 102 05	electric motor	/R	1	
3	900 380 015 09	nut M 6		14	
4	996 542 711 00	threaded bolt		6	

Model	Year	MG	SG	Illustration	Restrictions	UPD	18:26	26.01.2010	PORSCHE	PET	PORSCHE
GT3-1	2005	8	05	805-00		248					

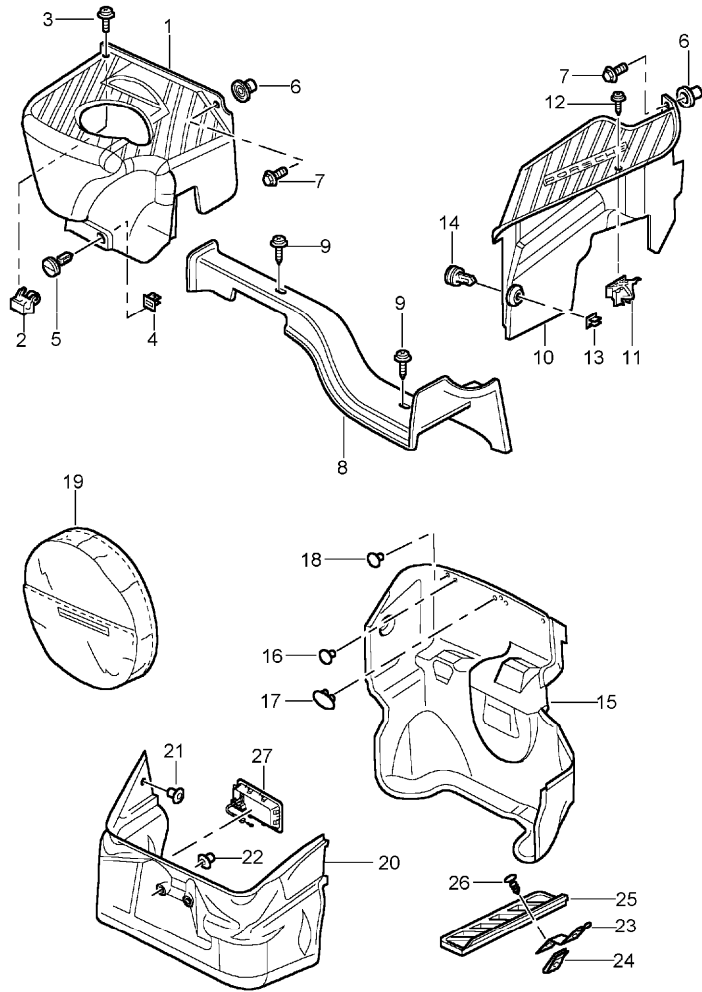


Pos	Part Number	Description	Remark	Qty	Model
		window glazing			
1	996 541 901 00	windscreen tinted	-01	1	
(1)	996 541 901 04	windscreen tinted	02-	1	
(1)	996 541 901 01	windscreen tinted green top tint	-01	1	
(1)	996 541 901 05	windscreen tinted green top tint	02-	1	
2	996 541 531 01	sealing frame		1	
3	996 541 541 01	trim frame	-01	1	
(3)	996 541 541 02	trim frame	02-	1	
4	999 507 576 41	support		2	
5	000 043 300 94	adhesive set		1	
-	000 731 513 00	adhesive plate for interior mirror		1	
6	996 542 511 02	door window glass	/L	1	
(6)	996 542 512 02	door window glass	/R	1	
7 A	996 545 901 00	rear window		1	
(7)	996 545 901 02	rear window	-01	1	
(7)	996 545 901 03	rear window	02-	1	
(7)	996 545 111 92	rear window	04-	1	M004
8	996 545 521 04	sealing frame		1	
(8)	996 545 521 03	sealing frame	04-	1	M004
9	996 545 545 01	trim frame	-01	1	
(9)	996 545 545 02	trim frame	02-	1	
(9)	996 545 545 01	trim frame	04-	1	M004
10	996 537 481 08	roof frame seal	/L	1	
(10)	996 537 482 08	roof frame seal	/R	1	

Model	Year	MG	SG	Illustration	Restrictions	UPD	18:26	26.01.2010	PORSCHE	PET	PORSCHE
GT3-1	2005	8	05	805-00		248					

Pos	Part Number	Description	Remark	Qty	Model	Pos	Part Number	Description	Remark	Qty	Model
11	999 190 445 37	blind rivet A 4,0 X 7,9		26							
12	996 543 111 03	rear window	/L	1							
(12)	996 543 112 03	rear window	/R	1							
13	996 543 611 02	gasket		4							
14	996 543 435 00	threaded bush		4							
15	999 076 055 09	lock nut M 8		4							
16	996 543 625 00	sealing washer		2							
17	999 218 011 02	pan-head screw M 6 X 12		2							
(18)	996 543 325 00	sealing frame	/L	1							
18	996 543 326 00	sealing frame	/R	1							
(19) A	996 543 771 07	retaining strip	/L	-01	1						
(19)	996 543 771 08	retaining strip	/L	02-	1						
(19) A	996 543 772 07	retaining strip	/R	-01	1						
(19)	996 543 772 08	retaining strip	/R	02-	1						
20	999 190 445 37	blind rivet A 4,0 X 7,9		12							
21	996 543 543 01	spacer		2							

Model	Year	MG	SG	Illustration	Restrictions	UPD	18:26	26.01.2010	PORSCHE	PET	PORSCHE
GT3-1	2005	8	07	807-00		248					

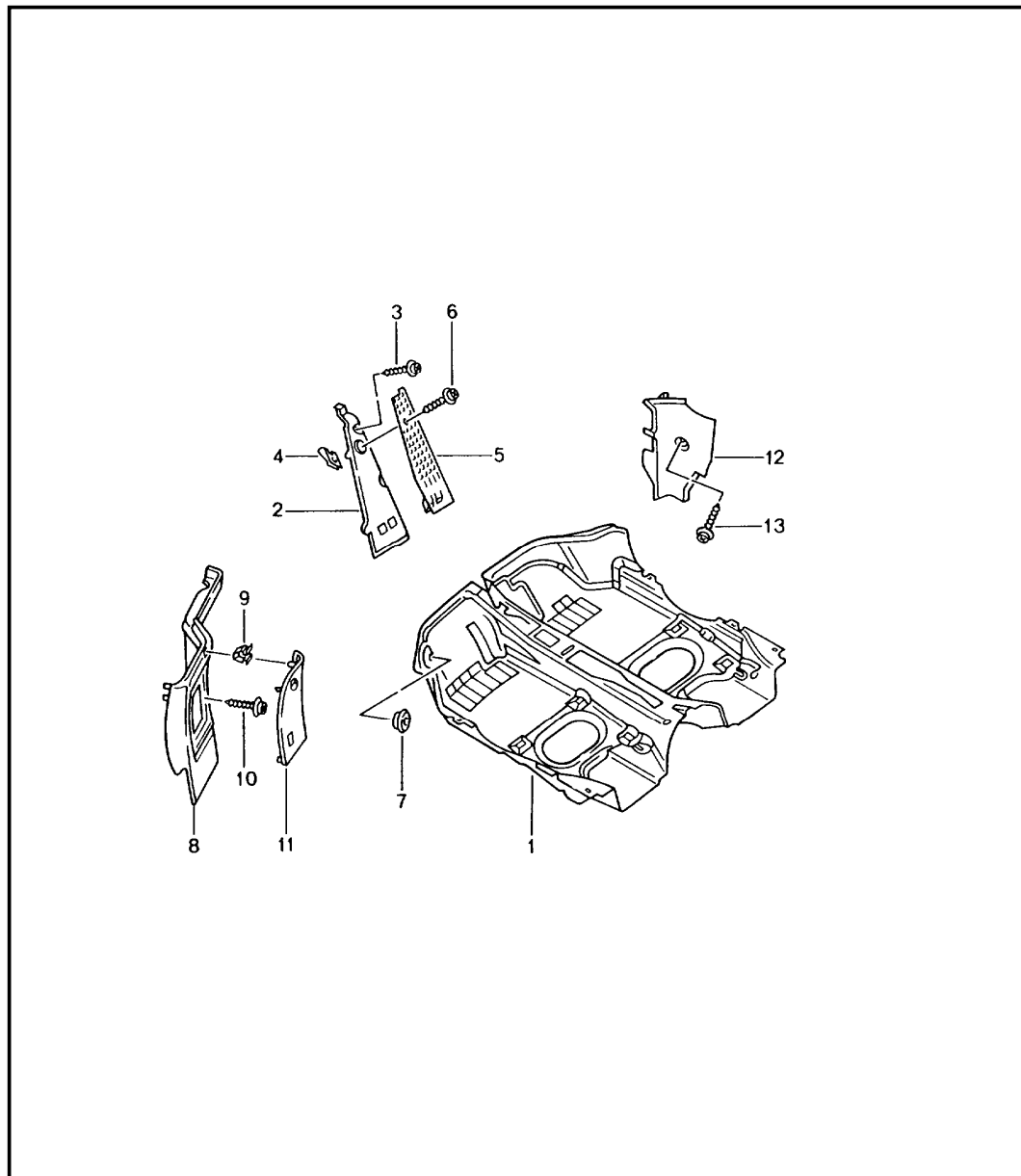


Pos	Part Number	Description	Remark	Qty	Model
		luggage compartment			
(1)	996 551 131 02	lining	/LL/L	1	
	01C	satin black			
(1)	996 551 134 00	lining	/RL/R	1	
	01C	satin black			
(1)	996 551 134 02	lining brake booster	/RL/R 04-	1	M692
	01C	satin black			
2	999 507 512 40	support 3,5		1	
3	999 073 050 02	oval-head screw 3,5 X 19		1	
4	999 590 046 40	disc cam 10,0 X 11,5		1	
5	999 507 529 40	catch 18,0		1	
6	999 500 078 00	nut M 6		2	
7	900 378 035 09	hexagon-head bolt M 6 X 16		1	
(10)	996 551 133 03	lining hydraulic unit	/RL	1	
	01C	satin black			
11	999 507 512 40	support	/RL	1	
11	999 507 512 40	support 3,5	/LL	2	
(11)	996 551 773 00	support		1	
12	999 073 050 02	oval-head screw	/RL	2	
12	999 073 050 02	oval-head screw 3,5 X 18	/LL	3	
13	999 590 046 40	disc cam	/RL	1	
13	999 590 046 40	disc cam 10,0 X 11,5	/LL	2	
14	999 507 529 40	catch 18,0		2	

Model	Year	MG	SG	Illustration	Restrictions	UPD	18:26	26.01.2010	PORSCHE	PET	PORSCHE
GT3-1	2005	8	07	807-00		248					

Pos	Part Number	Description	Remark	Qty	Model	Pos	Part Number	Description	Remark	Qty	Model	
(15)	996 551 051 09	lining	/LL/H	-00	1		--	996 551 845 00	adhesive carpet		1	
	C10	grey				21	999 703 432 40	stopper 8,0		2		
(15)	996 551 051 10	lining luggage compartment	/RL/H	-00	1		22	999 507 565 40	plastic nut T5/ 24,15		2	
	C10	grey				(22)	999 507 566 40	plastic nut T5/ 39,70		1		
(15)	996 551 051 22	lining	/LL/H	01-	1	M002	23	996 551 761 00	support	/LL	-02	1
	A31	black					23	996 551 761 01	support cover booster	/LL	03-	1
(15)	996 551 051 21	lining luggage compartment	/RL/H	01-	1	M002	24	999 591 725 02	speed nut 3,5		-02	1
	A31	black					24	999 591 725 02	speed nut 6,3		03-	1
16	999 703 432 40	stopper 8,0			8		25	996 551 451 00	cover booster			1
17	999 703 456 40	cap 49 X 26		-01	1			01C	satin black			1
18	999 703 455 40	cap 12,2 X 25		01	2		26	900 144 103 09	tapping screw 3,5 X 13			1
--	996 551 351 02	lining floor		-00	1							
	C10	grey										
--	996 551 351 03	lining floor		01	1							
	A31	black										
--	996 551 351 04	lining floor		02-	1							
	A31	black										
20	996 551 045 04	lining	/V	-00	1	M002						
	C10	grey										
20	996 551 045 07	lining	/V	01	1	M002						
	A31	black										
20	A 996 551 045 05	lining	/V	02	1	M002						
	A31	black										
20	996 551 045 10	lining	/V	02-	1	M002						
	A31	black										

Model	Year	MG	SG	Illustration	Restrictions	UPD	18:26	26.01.2010	PORSCHE	PET	PORSCHE
GT3-1	2005	8	07	807-02		248					

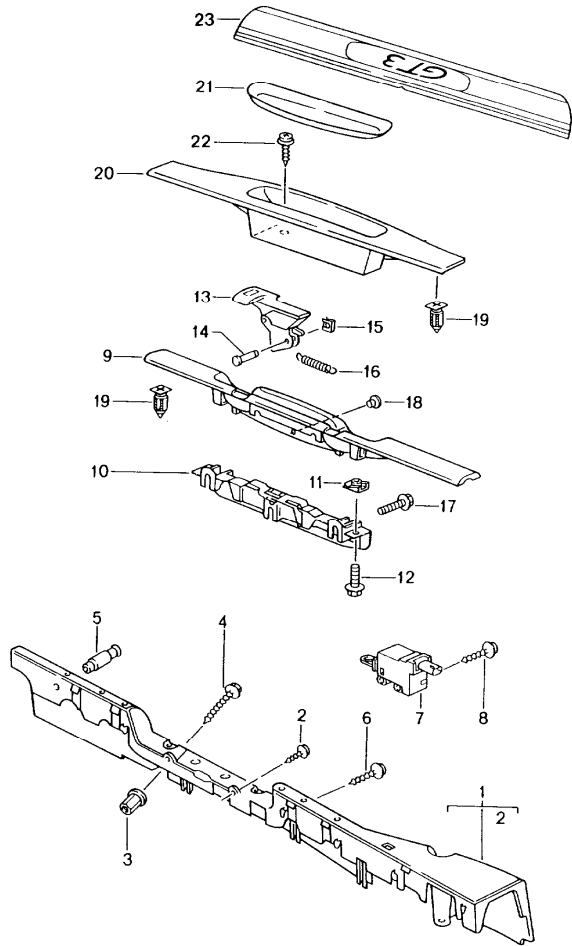


Pos	Part Number	Description	Remark	Qty	Model
1	996 551 011 02	carpet linings			
	EEW	black	/LL	1	
(1)	996 551 011 03	carpet	/RL	1	
	EEW	black			
1	996 551 011 90	carpet	/LL	1	M003
	EEW	black	-00		
(1)	996 551 011 91	carpet	/RL	1	M003
	EEW	black	-00		
1	996 551 011 92	carpet	/LL	1	M003
	EEW	black	01-		
(1)	996 551 011 93	carpet	/RL	1	M003
	EEW	black	01-		
-	996 551 813 00	protective film carpet	/LL	1	
-	996 551 815 00	protective film carpet	/RL	1	
2	996 551 211 00	foot support	/LL	1	
(2)	996 551 212 00	foot support	/RL	1	
3	999 073 062 02	tapping screw 4,8 X 19	/LL	1	
(3)	900 143 155 09	tapping screw 4,8 X 32	/RL	1	
4	999 591 485 02	speed nut 4,8	/RL	2	
5	996 551 611 00	cover	/LL	1	
(5)	996 551 612 00	cover foot support	/RL	1	
6	999 919 161 09	oval-head screw 5,0 X 18		1	
(6)	900 143 155 02	oval-head screw 4,8 X 32	/RL	1	

Model	Year	MG	SG	Illustration	Restrictions	UPD	18:26	26.01.2010	PORSCHE	PET	PORSCHE
GT3-1	2005	8	07	807-02		248					

Pos	Part Number	Description	Remark	Qty	Model	Pos	Part Number	Description	Remark	Qty	Model
7	803 803 583 A	lid 20,0 X 30,0		2							
(7) K	996 722 213 90	stopper		2	M003						
-	996 722 233 90	spacer mount fire extinguisher		2	M003						
(7)	996 580 213 90	stopper mount roll cage		2	M003						
8	996 551 101 00	lining carpet	/LL	1							
	EAQ	black									
(8)	996 551 102 00	lining carpet	/RL	1							
	EAQ	black									
9	999 507 552 01	spring clamp 9,0 X 13		2							
10	999 919 161 09	oval-head screw 5,0 X 18		4							
11	996 551 621 00	lid	/LL	1							
	01C	satin black									
(11)	996 551 622 00	lid	/RL	1							
	01C	satin black									
12	996 551 712 01	support carpet	/LL/R	1							
(12)	996 551 711 00	support carpet	/RL/L	1							
13	999 073 226 09	tapping screw 4,2 X 16		1							
--	--- --- --- --	floor mats set see group Teq/8/07/05		1							

Model	Year	MG	SG	Illustration	Restrictions	UPD	18:27	26.01.2010	PORSCHE	PET	PORSCHE
GT3-1	2005	8	07	807-03		248					



Pos	Part Number	Description	Remark	Qty	Model
		lining door sill			
1	996 551 619 01	support	/L	1	
(1)	996 551 620 01	support	/R	1	
-	999 551 140 40	felt strip		2	
2	900 143 082 02	tapping screw 6,3 X 13		5	
3	999 500 078 00	nut M 6		2	
(3)	999 049 022 40	plastic nut		2	
4	900 378 029 09	hexagon-head tapping screw M 6 X 40		2	
5	996 551 873 00	locating peg		2	
6	999 919 121 09	oval-head screw 5,0 X 16		2	
7	996 624 115 01	actuator lid	-00	1	
8	999 919 121 09	oval-head screw 5,0 X 16	-00	2	
(9)	996 551 019 16	lining lacquered black with handle	/LL -00	1	M590
	ERF	silver			
(9)	996 551 019 18	lining lacquered black with handle	/RL -00	1	M590
	ERF	silver			
9	996 551 119 01	lining not for lacquered	-00	1	M590
	A03	black			
(9)	996 551 119 04	lining black	01-	1	
	A03	black			

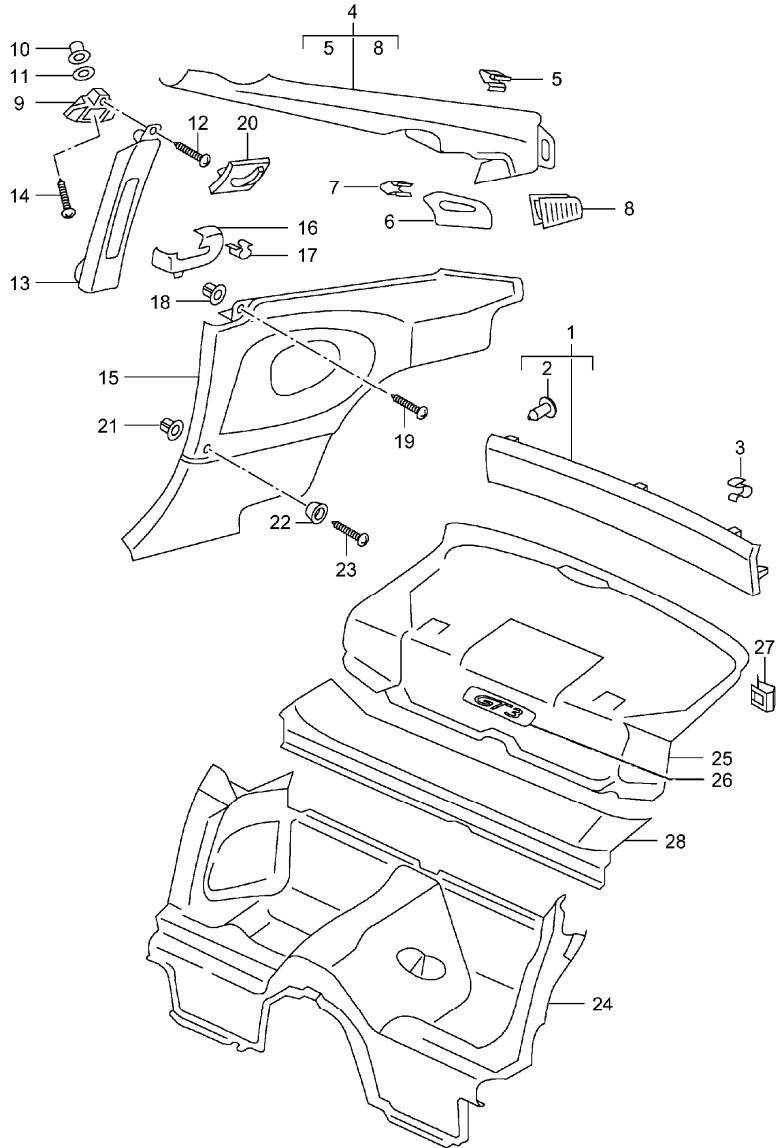
Model	Year	MG	SG	Illustration	Restrictions	UPD	18:27	26.01.2010	PORSCHE	PET	PORSCHE
GT3-1	2005	8	07	807-03		248					

Pos	Part Number	Description	Remark	Qty	Model	Pos	Part Number	Description	Remark	Qty	Model
(9)	996 551 019 20	lining complete	/LL 01	1		12	900 075 145 02	hexagon-head bolt not for M 5 X 16	-00	2	M590
	A03	black									
(9)	996 551 019 28	lining complete	/LL 02-	1		13	996 551 511 03	handle lacquered	/LL/V -00	1	
	A03	black					V01	silver			
(9)	996 551 019 21	lining complete	/RL 01	1		(13)	996 551 512 03	handle lacquered	/LL/H -00	1	
	A03	black					V01	silver			
(9)	996 551 019 29	lining complete	/RL 02-	1		(13)	996 551 511 04	handle lacquered	/RL/V -00	1	
	A03	black					V01	silver			
(9)	996 551 980 20	lining	/LL 01	1	IXTG	(13)	996 551 512 04	handle lacquered	/RL/H -00	1	
	A11	black					V01	silver			
(9)	996 551 980 21	lining complete leather	/RL 01	1	IXTG	14	999 088 033 02	bolt 6 X 22 X 19	-00	2	
	A11	black				15	999 166 079 02	lock	-00	2	
(9)	996 551 980 28	lining leather complete	/LL 02-	1	IXTG	16	999 522 030 00	tension spring	-00	2	
	VRK	black				17	999 218 106 02	combination screw M 6 X 25	-00	3	
	D12	dark grey/natural				(17)	999 067 046 09	pan-head screw M 6 X 20	01-	3	
	T12	brown/natural				18	999 703 443 40	stopper 8,0 X 11 X 7,2		3	
(9)	996 551 980 29	lining leather complete	/RL 02-	1	IXTG		01C	satin black			
	VRK	black				19	999 507 484 40	expander nut		12	
	D12	dark grey/natural				20	996 551 120 00	lining tray		1	
	T12	brown/natural					A03	black			
10	996 551 719 00	bracket not for	-00	1	M590	20	996 551 981 01	lining tray leather	01-	1	IXTG
11	999 507 556 02	speed nut not for M 5	-00	2	M590		VRK	black			
						21	996 551 513 00	mat		1	

Model	Year	MG	SG	Illustration	Restrictions	UPD	18:27	26.01.2010	PORSCHE	PET	PORSCHE
GT3-1	2005	8	07	807-03		248					

Pos	Part Number	Description	Remark	Qty	Model	Pos	Part Number	Description	Remark	Qty	Model
22	999 919 164 09	oval-head screw 5,0 X 12		2							
23	996 551 303 90	scuff plate lacquered		2							
	A03	black									

Model	Year	MG	SG	Illustration	Restrictions	UPD	18:27	26.01.2010	PORSCHE	PET	PORSCHE
GT3-1	2005	8	07	807-05		248					



Pos	Part Number	Description	Remark	Qty	Model
1	996 555 081 02	linings rear leatherette		1	
	A18	black	00		
	A12	black	01-		
1	996 555 081 03	lining leather		1	M981
	A11	black			
2	999 507 687 05	fixing clip		5	
3	999 651 307 02	cable clamp 18,0		4	
(4)	996 555 187 02	lining upper leatherette	/L	1	
	A18	black	-00		
	A12	black	01-		
4	996 555 188 02	lining upper leatherette	/R	1	
	A18	black	-00		
	A12	black	01-		
(4)	996 555 187 03	lining upper leather	/L	1	M981
	A11	black			
4	996 555 188 03	lining upper leather	/R	1	M981
	A11	black			
-	999 551 609 40	plastic washer 8,0 X 23 X 3,00		16	
5	999 507 676 09	clamp 2,5/2,20		2	
5	999 507 479 09	clamp 2,5/0,9		4	

Model	Year	MG	SG	Illustration	Restrictions	UPD	18:27	26.01.2010	PORSCHE	PET	PORSCHE
GT3-1	2005	8	07	807-05		248					

Pos	Part Number	Description	Remark	Qty	Model	Pos	Part Number	Description	Remark	Qty	Model
(6)	996 555 365 90	rosette		2	M002	12	999 073 060 02	tapping screw 5,0 X 12	01-	2	
(6)	996 555 545 30	rosette	/L 03-	1	M981	(13)	996 555 183 02	lining b-pillar valid up to: F >>99YS6 90343 leatherette	/L	1	
	A11	black					A18	black			
6	996 555 546 30	rosette	/R 03-	1	M981						
	A11	black									
7	999 507 533 02	clamp		2							
(8)	996 555 645 00	grille lacquered	/L	1		13	996 555 184 02	lining b-pillar valid up to: F >>99YS6 90343 leatherette	/R	1	
	A03	black					A18	black			
8	996 555 646 00	grille lacquered	/R	1		(13)	996 555 183 90	lining b-pillar valid from: F 99YS6 90344>> leatherette	/L	-00	1
	A03	black					A18	black			
(9)	996 555 821 01	bracket	/L -00	1							
9	996 555 822 01	bracket	/R -00	1							
(9)	996 555 821 02	bracket	/L 01-	1		(13)	996 555 184 90	lining b-pillar valid from: F 99YS6 90344>> leatherette	/R	-00	1
(9)	996 555 822 02	bracket coat hook	/R 01-	1							
--	996 555 623 00	cover		2	M563						
	01C	satin black					A18	black			
--	996 555 623 01	cover	01-	2	M563	(13)	996 555 183 04	lining b-pillar leatherette	/L	01-	1
	V01	silver					A12	black			
--	996 555 623 02	cover	03-	2	M563	(13)	996 555 184 04	lining b-pillar leatherette	/R	01-	1
	V03	sport silver									
10	999 500 069 02	nut		2							
(10)	999 507 695 02	speed nut 4,8		2			A12	black			
11	900 151 006 09	washer 6,4	-00	2		(13)	996 555 183 05	lining b-pillar leather	/L	03-	1
11	999 025 268 09	washer 6,4 X 18 X 1,2	01-	2			A11	black			
12	999 919 164 09	oval-head screw 5,0 X 12	-00	2			D12	dark grey/natural			
							T12	brown/natural			

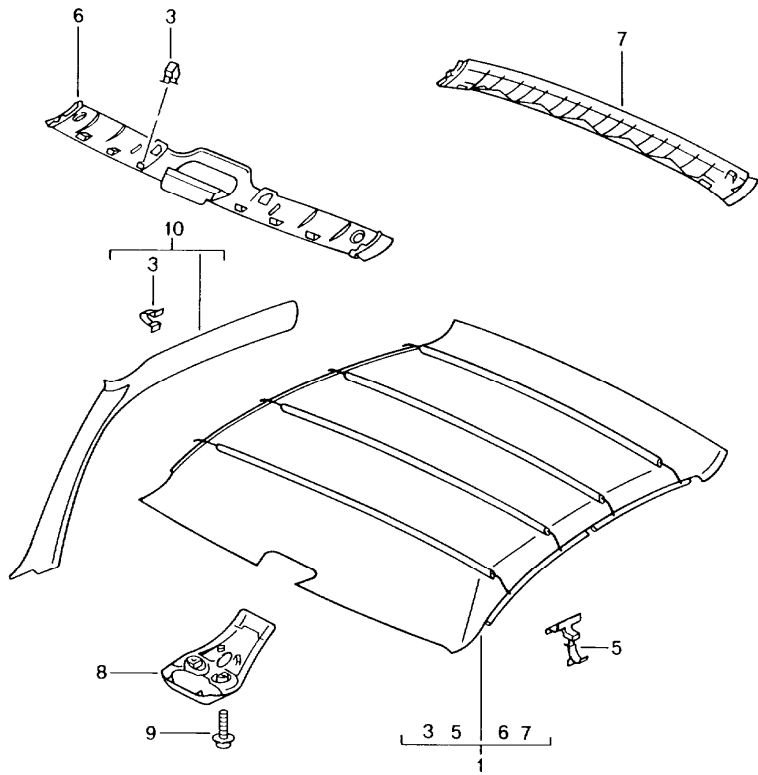
Model	Year	MG	SG	Illustration	Restrictions	UPD	18:27	26.01.2010	PORSCHE	PET	PORSCHE
GT3-1	2005	8	07	807-05		248					

Pos	Part Number	Description	Remark	Qty	Model	Pos	Part Number	Description	Remark	Qty	Model
(13)	996 555 184 05	lining b-pillar leather	/R 03-	1		16	996 555 062 00	rosette seat belt lacquered	/R	1	
	A11	black					A03	black			
	D12	dark grey/natural				17	999 507 533 02	clamp 4,2 X 19		2	
	T12	brown/natural				18	999 507 050 40	expander nut 4,2 4,2 X 19		2	
14	999 073 128 02	tapping screw 6,3 X 14		1		19	999 073 079 02	tapping screw 4,2 X 19		2	
(15)	996 555 071 90	side trim panel leatherette	/L	1		(20)	996 555 571 01	coat hook lacquered	/L -00	1	
	DEO	black					A03	black			
	EVN	black				20	996 555 572 01	coat hook lacquered	/R -00	1	
15	996 555 072 90	side trim panel leatherette	/R	1			A03	black			
	DEO	black				(20)	996 555 571 02	coat hook lacquered	/L 01-	1	
	EVN	black					A03	black			
(15)	996 555 071 91	side trim panel leather	/L	1	M981	(20)	996 555 572 02	coat hook lacquered	/R 01-	1	
	DFO	black					A03	black			
	EVS	black				(20)	996 555 571 90	coat hook lacquered	/L	1	M003
	VRT	dark grey/natural					A03	black			
	VRU	brown/natural				(20)	996 555 572 90	coat hook lacquered	/R	1	M003
15	996 555 072 91	side trim panel leather	/R	1	M981		A03	black			
	DFO	black				(20)	999 507 050 40	expander nut 4,2		2	
	EVS	black				23	900 145 012 07	counters. head tapp. screw 4,2 X 32		2	
	VRT	dark grey/natural				24	996 551 021 90	adhesive carpet seat well carpet	-00	1	
	VRU	brown/natural					A10	black			
(16)	996 555 061 00	rosette seat belt lacquered	/L	1							
	A03	black									

Model	Year	MG	SG	Illustration	Restrictions	UPD	18:27	26.01.2010	PORSCHE	PET	PORSCHE
GT3-1	2005	8	07	807-05		248					

Pos	Part Number	Description	Remark	Qty	Model	Pos	Part Number	Description	Remark	Qty	Model
24	996 551 021 91	adhesive carpet seat well carpet	01-	1							
	A10	black									
	D11	dark grey/natural	02-								
	T11	brown/natural	02-								
25	996 551 031 90	adhesive carpet rear wall carpet		1							
	A10	black									
26	996 551 305 90	logo gt3		1							
	A03	black									
27	996 522 897 00	clips nut		3							
28	996 551 033 90	lining control units carpet		1	M002						
	A10	black									
	D11	dark grey/natural	03-								
	T11	brown/natural	03-								
(28)	996 551 033 91	lining control units carpet		1	M003						
	A10	black									
--	996 551 525 00	cover seat-belt buckle	/L	1							
	01C	satin black									
--	996 551 526 00	cover seat-belt buckle	/R	1							
	01C	satin black									

Model	Year	MG	SG	Illustration	Restrictions	UPD	18:27	26.01.2010	PORSCHE	PET	PORSCHE
GT3-1	2005	8	07	807-08		248					



Pos	Part Number	Description	Remark	Qty	Model
1	996 555 091 00	rooflining leatherette A10 black	-00	1	
1	996 555 091 04	rooflining alcantara A14 black	01	1	
1	996 555 091 06	rooflining alcantara A14 black	02-04	1	
1	996 555 091 06	rooflining alcantara valid up to: F >>995S6 90078 A14 black	05	1	M652
1	997 555 091 00	rooflining alcantara valid from: F 995S6 90079>> A14 black	05	1	M652
1	996 555 982 02	rooflining leather A11 black D12 dark grey/natural T12 brown/natural	01-04	1	/652 IXMA
(1)	996 555 982 02	rooflining leather valid up to: F >>995S6 90078 A11 black D12 dark grey/natural T12 brown/natural	05	1	/652 IXMA

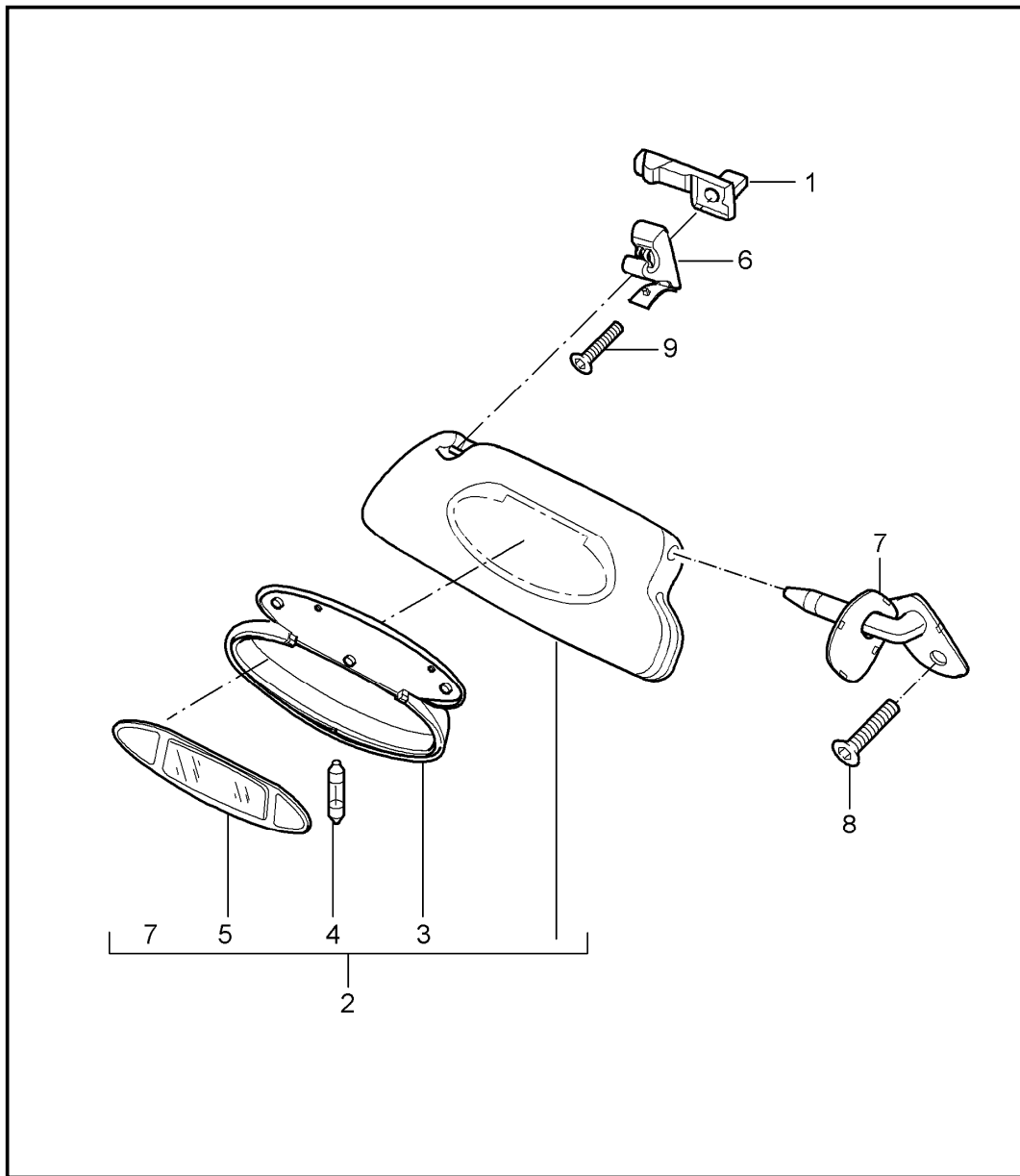
Model	Year	MG	SG	Illustration	Restrictions	UPD	18:27	26.01.2010	PORSCHE	PET	PORSCHE
GT3-1	2005	8	07	807-08		248					

Pos	Part Number	Description	Remark	Qty	Model	Pos	Part Number	Description	Remark	Qty	Model
(1)	997 555 980 00	rooflining leather valid from: F 995S6 90079>>	05	1	/652 IXMA	8	996 555 993 01	cover interior light leather	01-	1	IXZD
	A11	black					A11	black			
	D12	dark grey/natural					D12	dark grey/natural	03-		
	T12	brown/natural					T12	brown/natural	03-		
-	999 551 609 40	plastic washer 8,0 X 23 X 3,0		6	M981	(9)	999 073 061 02	tapping screw 4,8 X 16		2	
3	999 507 479 09	clamp F >>99YS6 90344		6		(10)	996 555 181 04	lining valid up to: F >>99YS6 90343 leatherette	/L	1	
3	999 507 709 07	clamp F 99YS6 90344>> 1,4/2,00	-00	6			A18	black			
3	999 507 681 09	clamp 2,5/3,00	01-	2		10	996 555 182 04	lining valid up to: F >>99YS6 90343 leatherette	/R	1	
5	996 555 691 02	clip mount rooflining		8			A18	black			
6 U	996 555 553 08	cover rooflining front valid up to: F >>995S6 90078	-05	1	M652	(10)	996 555 181 90	lining valid from: F 99YS6 90344>> a-pillar leatherette	/L	-00	1
6 U	997 555 591 00	cover rooflining front valid from: F 995S6 90079>>	05	1	M652	(10)	996 555 182 90	lining valid from: F 99YS6 90344>> a-pillar leatherette	/R	-00	1
(7) U	996 555 155 06	cover rooflining rear		1			A18	black			
(8)	996 555 557 05	cover	-03	1	M652	(10)	996 555 181 08	lining leatherette	/L	01-	1
	A03	black					A12	black			
(8)	996 555 557 10	cover interior light lacquered	04-	1		(10)	996 555 182 08	lining leatherette	/R	01-	1
	A03	black				(10)	996 555 181 09	lining leather	/L	03-	1 M981
							A11	black			

Model	Year	MG	SG	Illustration	Restrictions	UPD	18:27	26.01.2010	PORSCHE	PET	PORSCHE
GT3-1	2005	8	07	807-08		248					

Pos	Part Number	Description	Remark	Qty	Model	Pos	Part Number	Description	Remark	Qty	Model
		D12 dark grey/natural									
		T12 brown/natural									
(10)	996 555 182 09	lining leather	/R	03-	1 M981						
		A11 black									
		D12 dark grey/natural									
		T12 brown/natural									
(11)	996 555 291 00	deformation element	/L	01-	1						
11	996 555 292 00	deformation element	/R	01-	1						
--	999 190 167 30	blind rivet 4,0 X 6,3			10						
--	999 551 138 40	felt strip 25 X 25 X 1			2						

Model	Year	MG	SG	Illustration	Restrictions	UPD	18:27	26.01.2010	PORSCHE	PET	PORSCHE
GT3-1	2005	8	07	807-09		248					

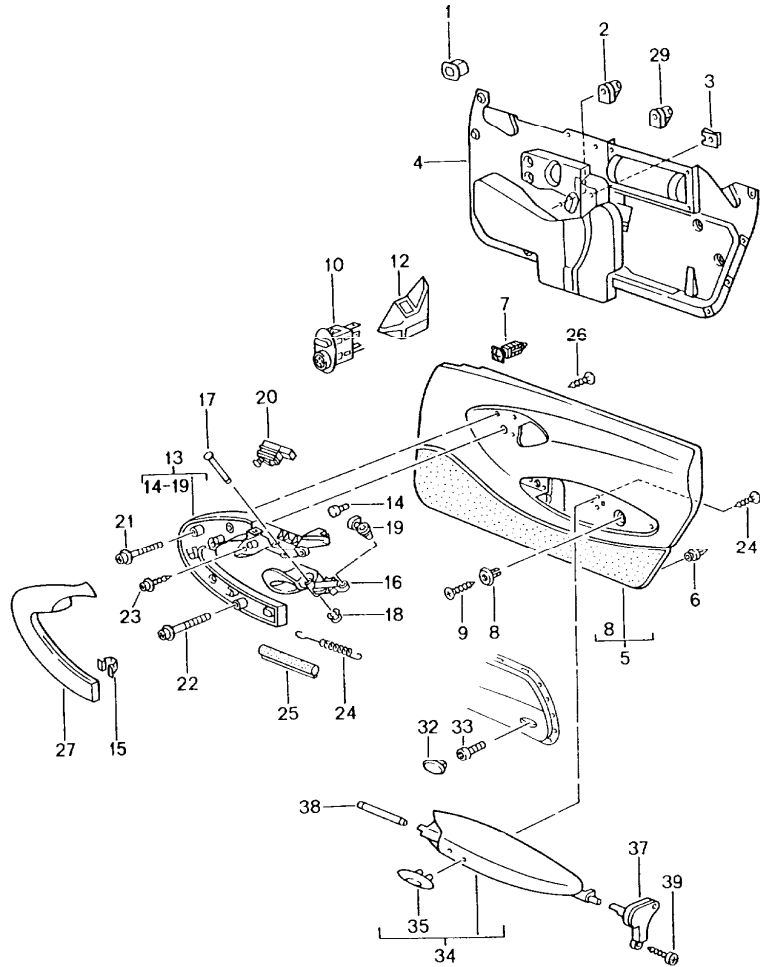


Pos	Part Number	Description	Remark	Qty	Model
1	986 731 541 01	sun visors plate		2	
(2)	996 731 031 06	sun visor leatherette ELC black	/L -00	1	M274
2	996 731 032 06	sun visor leatherette ELC black	/R -00	1	M274
(2)	996 731 031 15	sun visor leatherette valid up to: A12 black	/L 01-	1	M274
(2)	996 731 032 15	sun visor leatherette valid up to: A12 black	/R 01-	1	M274
(2)	997 731 031 00	sun visor leatherette valid from: F 995S6 90079>> A12 black	/L	1	M274
(2)	997 731 032 00	sun visor leatherette valid from: F 995S6 90079>> A12 black	/R	1	M274
(2)	996 731 031 90	sun visor A12 black	/L 01-	1	M003/274
(2)	996 731 032 90	sun visor leatherette A12 black	/R 01-	1	M003/274
(2)	996 731 980 09	sun visor leather valid up to: F >>995S6 90078 VRK black D12 dark grey/natural	/L 01- 03-	1	IXMP

Model	Year	MG	SG	Illustration	Restrictions	UPD	18:27	26.01.2010	PORSCHE	PET	PORSCHE
GT3-1	2005	8	07	807-09		248					

Pos	Part Number	Description	Remark	Qty	Model	Pos	Part Number	Description	Remark	Qty	Model
	T12	brown/natural	03-			6	996 731 342 00	support sun visor	/R	1	
2	996 731 981 09	sun visor leather valid up to: F >>995S6 90078	/R 01-	1	IXMP		01C	satin black			
	VRK	black				7	997 731 461 00	mounting	/L 05-	1	
	D12	dark grey/natural	03-				01C	satin black			
	T12	dark grey/natural	03-			7	997 731 462 00	mounting	/R 05-	1	
	T12	brown/natural	03-				01C	satin black			
(2)	996 731 980 19	sun visor leather valid from: F 995S6 90079>>	/L	1	IXMP	8	999 073 139 02	oval-head screw M 5 X 25 valid up to: F >>995S6 90078		2	
	VRK	black				8	999 073 326 09	oval-head screw M 5 X 10 valid from: F 995S6 90079>>		2	
	D12	dark grey/natural									
	T12	brown/natural				(8)	999 500 093 02	nut M 5		2	
(2)	996 731 981 19	sun visor leather valid from: F 995S6 90079>>	/R	1	IXMP	9	999 919 120 09	oval-head screw 4,0 x 18		1	
	VRK	black									
	D12	dark grey/natural									
	T12	brown/natural									
3	996 731 903 00	mirror housing with illumination		1							
	01C	satin black									
4	999 631 137 90	bulb 3 W	-01	4	M274						
4	999 631 147 90	bulb 3 W	02-	4	M274						
5	996 731 531 01	mirror glass with frame		2	M274						
	01C	satin black									
(6)	996 731 341 00	support sun visor	/L	1							
	01C	satin black									

Model	Year	MG	SG	Illustration	Restrictions	UPD	18:27	26.01.2010	PORSCHE	PET	PORSCHE
GT3-1	2005	8	07	807-10		248					



Pos	Part Number	Description	Remark	Qty	Model
		door trim panel accessories			
1	191 853 615 A	grommet		3	
3	999 591 882 02	speed nut M 6		2	
(4)	996 555 831 04	seal	/L	1	
4	996 555 832 04	seal repair material use also:	/R	1	
-	000 043 101 00	sealing cord		1	
(5)	996 555 121 00	door trim panel leatherette	/L	-02	1 M002
	ERW	black		-00	
	FEZ	black		01-	
5	996 555 122 00	door trim panel leatherette	/R	-02	1 M002
	ERW	black		-00	
	FEZ	black		01-	
(5)	996 555 121 00	door trim panel	/L	04-	1 M004
	ESY	black			
(5)	996 555 122 00	door trim panel leatherette	/R	04-	1 M004
	ESY	black			
(5)	996 555 121 04	door trim panel leatherette	/L		1 M563
	ERU	black		-00	
	ESY	black		01-	
5	996 555 122 04	door trim panel leatherette	/R		1 M563
	ERU	black		-00	
	ESY	black		01-	
(5)	996 555 121 01	door trim panel leather	/L	-02	1
	ERV	black		-00	

Model	Year	MG	SG	Illustration	Restrictions	UPD	18:27	26.01.2010	PORSCHE	PET	PORSCHE
GT3-1	2005	8	07	807-10		248					

Pos	Part Number	Description	Remark	Qty	Model	Pos	Part Number	Description	Remark	Qty	Model
	ETC	black	01-			6	999 507 582 40	clip white 8,0 X 0,9		8	
5	996 555 122 01	door trim panel leather	/R -02	1		7	999 507 651 40	expander nut 9,0 X 0,9		2	
	ERV	black	-00			8	999 507 427 40	expander nut 6,3	-04	2	
(5)	996 555 121 05	door trim panel leather	/L -03	1	M563/981	10	996 613 241 00	switch door mirror		1	M273
	ERV	black	-00				01C	satin black			
	ETC	black	01-			(10)	986 555 751 00	knob	/L -00	1	M272
	VRV	dark grey/natural					01C	satin black			
	VRW	brown/natural				(10)	986 555 752 00	knob door mirror	/R -00	1	M272
(5)	996 555 122 05	door trim panel leather	/R -03	1	M563/981		01C	satin black			
	ERV	black	-00			(12)	986 555 651 01	lining door mirror manually adjustable	/L -00	1	
	ETC	black	01-				A03	black			
	VRV	dark grey/natural				12	986 555 652 01	lining door mirror manually adjustable	/R -00	1	
	VRW	brown/natural					A03	black			
(5)	996 555 121 08	door trim panel leather	/L 04-	1	M563/981	(12)	996 555 651 03	lining door mirror electrically adjustable	/LL/L	1	
	ETC	black					A03	black			
	VRV	dark grey/natural					A03	black			
	VRW	brown/natural				(12)	996 555 652 03	lining door mirror electrically adjustable	/RL/R	1	
(5)	996 555 122 08	door trim panel leather	/R 04-	1	M563/981		A03	black			
	ETC	black				(12)	996 555 652 02	lining door mirror electrically adjustable	/LL/R	1	
	VRV	dark grey/natural					A03	black			
	VRW	brown/natural				(12)	996 555 651 02	lining door mirror electrically adjustable	/RL/L	1	
-	999 911 688 40	adhesive tape 10 X 0,1 X 370		4			A03	black			
6	999 507 505 40	clip grey		8		(12)	996 555 651 02	lining door mirror electrically adjustable	/RL/L	1	

Model	Year	MG	SG	Illustration	Restrictions	UPD	18:27	26.01.2010	PORSCHE	PET	PORSCHE
GT3-1	2005	8	07	807-10		248					

Pos	Part Number	Description	Remark	Qty	Model	Pos	Part Number	Description	Remark	Qty	Model	
	A03	black					A11	black				
(12)	996 555 983 00	lining door mirror leather	/LL/L	01-	1	IXTF/XTR	13 A	996 555 252 01	inner door release complete leather	/LL/R	01	1
	A11	black					A11	black				
	D12	dark grey/natural					(13) A	996 555 251 02	inner door release complete leather	/RL/L	01	1
	T12	brown/natural						A11	black			
(12)	996 555 984 00	lining door mirror leather	/RL/R	01-	1	IXTF/XTR	13 A	996 555 252 02	inner door release complete leather	/RL/R	01	1
	A11	black						A11	black			
	D12	dark grey/natural						A11	black			
	T12	brown/natural					(13)	996 555 251 03	inner door release complete leather	/LL/L	02	1
(12)	996 555 984 01	lining door mirror leather	/LL/R	01-	1	IXTF/XTR		A11	black			
	A11	black					13	996 555 252 03	inner door release complete leather	/LL/R	02	1
	D12	dark grey/natural						A11	black			
	T12	brown/natural					(13)	996 555 251 04	inner door release complete leather	/RL/L	02	1
(12)	996 555 983 01	lining door mirror leather	/RL/L	01-	1	IXTF/XTR		A11	black			
	A11	black					13	996 555 252 04	inner door release complete leather	/RL/R	02	1
	D12	dark grey/natural						A11	black			
	T12	brown/natural					(13)	996 555 251 05	inner door release complete leather	/LL/L	03-	1
13 A	996 555 371 02	inner door release complete leather	/L	-00	1			A11	black			
	ENH	black					(13) A	996 555 372 02	inner door release complete leather	/R	-00	1
	A11	black						D12	dark grey/natural			
	D12	dark grey/natural						T12	brown/natural			
(13) A	996 555 251 01	inner door release complete leather	/LL/L	01	1		(13)	996 555 252 05	inner door release complete leather	/LL/R	03-	1

Model	Year	MG	SG	Illustration	Restrictions	UPD	18:27	26.01.2010	PORSCHE	PET	PORSCHE
GT3-1	2005	8	07	807-10		248					

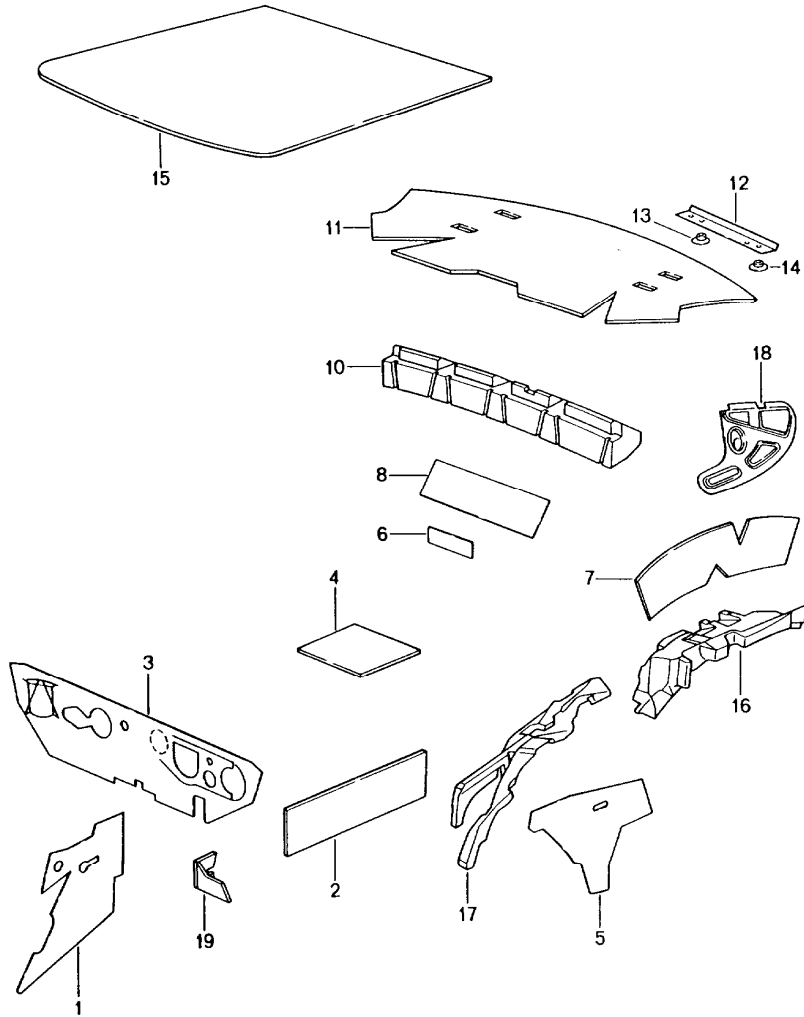
Pos	Part Number	Description	Remark	Qty	Model	Pos	Part Number	Description	Remark	Qty	Model
	A11	black				21	999 073 113 09	oval-head screw M 6 X 50		2	
	D12	dark grey/natural				22	999 073 112 09	oval-head screw M 6 X 80		2	
	T12	brown/natural				23	999 073 061 02	tapping screw 4,8 X 16		2	
(13)	996 555 251 06	inner door release complete leather	/RL/L 03-	1		24	999 522 015 00	tension spring		2	
	A11	black				25	996 555 635 00	hose		2	
	D12	dark grey/natural				26	999 073 080 02	tapping screw 4,2 X 16		8	
	T12	brown/natural				(27)	996 555 591 00	cover handle leather	/L	1	
(13)	996 555 252 06	inner door release complete leather	/RL/R 03-	1			A11	black			
	A11	black					D12	dark grey/natural			
	D12	dark grey/natural					T12	brown/natural			
	T12	brown/natural				27	996 555 592 00	cover handle leather	/R	1	
14	999 703 440 40	buffer 7 X 10 X 16		2			A11	black			
15	999 507 476 01	clamp 8 X 10 X16		12			D12	dark grey/natural			
(16)	996 555 425 03	handle	/L -02	1			T12	brown/natural			
	V01	silver				(27)	996 555 988 02	cover carbon	/L 01-	1	IXTL
16	996 555 426 03	handle	/R -02	1		27	996 555 989 02	cover carbon	/R 01-	1	IXTL
	V01	silver				28	999 507 476 01	clamp 8 X 10/2,5		12	
(16)	996 555 425 04	handle	/L 03-	1		32	996 555 623 00	cap	-00	2	M563
	V03	silver					01C	satin black			
16	996 555 426 04	handle	/R 03-	1		32	996 555 623 01	cap	01-	2	M563
	V03	silver					V01	silver			
17	999 166 084 02	bolt 4 X 39 X 37		2		32	996 555 623 02	cap	03-	2	M563
18	999 166 026 02	lock 4		2			V03	sport silver			
(19)	999 702 281 40	grommet		2							
20	996 613 123 00	microswitch		2							

Model	Year	MG	SG	Illustration	Restrictions	UPD	18:27	26.01.2010	PORSCHE	PET	PORSCHE
GT3-1	2005	8	07	807-10		248					

Pos	Part Number	Description	Remark	Qty	Model	Pos	Part Number	Description	Remark	Qty	Model
33	999 067 043 02	pan-head screw M 5 X 10		1			V03	sport silver			
(34)	996 555 221 00	lid leather	/L	-02	1	(37)	996 555 441 00	closing element	/L	1	
	EHS	black		-00		37	996 555 442 00	closing element	/R	1	
	A11	black		01-		38	999 094 018 00	bolt		2	
34	996 555 222 00	lid leather	/R	-02	1	39	999 073 080 02	tapping screw 4,2 X 16		4	
	EHS	black		-00							
	A11	black		01-							
(34)	996 555 221 01	lid leather	/L	03-	1						
	A11	black									
	D12	dark grey/natural									
	T12	brown/natural									
34	996 555 222 01	lid leather	/R	03-	1						
	A11	black									
	D12	dark grey/natural									
	T12	brown/natural									
(34)	996 555 980 02	lid carbon	/L01	-02	1						
(34)	996 555 981 02	lid carbon	/R01	-02	1						
(34)	996 555 980 06	lid carbon	/L	03-	1						
(34)	996 555 981 06	lid carbon	/R	03-	1						
--	996 555 483 00	buffer			4						
35	996 555 611 01	handle lacquered		-02	2						
	V01	silver									
35	996 555 611 02	handle lacquered		03-	2						

Model	Year	MG	SG	Illustration	Restrictions	UPD	18:28	26.01.2010	PORSCHE	PET	PORSCHE
GT3-1	2005	8	07	807-15		248					

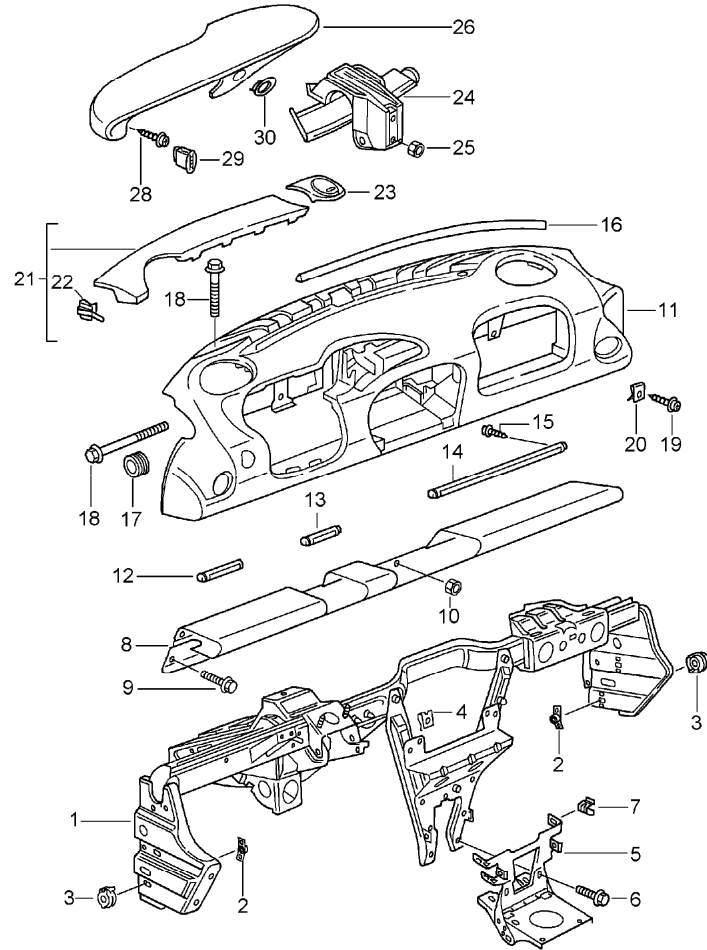
Pos	Part Number	Description	Remark	Qty	Model
		body sound proofing 1			
1	996 556 605 01	sound absorber wheel housing front	/L	-02	1
(1)	996 556 606 01	sound absorber wheel housing front	/R	-02	1
2	996 556 531 01	insulation door in white		-02	2
3	996 556 723 01	sound absorber firewall	/LL		1
(3)	996 556 724 01	sound absorber firewall	/RL		1
4	996 556 503 01	insulation floor 228 X 230		-02	1
5	996 556 655 02	sound absorber	/L	-02	1
(5)	996 556 656 02	sound absorber side trim panel	/R	-02	1
6	996 556 503 01	insulation seat well it is necessary to rework 160 X 40	/L/R	-02	1
7	996 556 507 01	insulation wheel housing	/H/L		1
(7)	996 556 508 01	insulation wheel housing	/H/R		1
8	996 556 511 01	insulation rear wall 430 X 120		-02	1
10	996 556 581 00	sound absorber rear wall		-01	1
11	996 556 711 03	sound absorber F >>994S6 91629 engine compartment			1
(11)	996 556 711 04	sound absorber F 994S6 91630>> F 994S6 92548>> engine compartment			1



Model	Year	MG	SG	Illustration	Restrictions	UPD	18:28	26.01.2010	PORSCHE	PET	PORSCHE
GT3-1	2005	8	07	807-15		248					

Pos	Part Number	Description	Remark	Qty	Model	Pos	Part Number	Description	Remark	Qty	Model
12	996 556 761 00	retaining strip engine compartment		-99	2						
12	996 556 761 01	retaining strip engine compartment		00-	2						
13	999 049 020 40	plastic nut T5/30 X 5,1			5						
14	999 049 011 40	plastic nut T5/30 X 6,0		-00	3						
15	996 556 647 01	sound absorber roof		-02	1						
(16)	996 556 812 01	filler piece back wall lining			1						
16	996 556 657 00	sound absorber wheel-housing liner	/H/L	-02	1						
(16)	996 556 658 00	sound absorber wheel-housing liner	/H/R	-02	1						
(18)	996 556 753 90	seal	/L/O	-02	1						
(18)	996 556 754 90	seal side section	/R/O	-02	1						
19	996 556 811 01	filler piece	/L		1						
(19)	996 556 812 01	filler piece tray	/R		1						

Model	Year	MG	SG	Illustration	Restrictions	UPD	18:28	26.01.2010	PORSCHE	PET	PORSCHE
GT3-1	2005	8	09	809-00		248					



Pos	Part Number	Description	Remark	Qty	Model
		dashboard trim with retaining frame			
1	996 552 061 12	retaining frame	/LL	1	
(1)	996 552 061 13	retaining frame	/RL	1	
2	996 552 805 00	threaded plate		4	
3	996 552 545 00	shim		4	
4	999 507 462 02	speed nut		9	
4	999 591 855 02	speed nut 4,8		1	
(5)	996 552 309 07	support		1	
6	900 378 155 09	hexagon-head tapping screw M 6 X 16		6	
7	999 507 574 02	clamp 8 X 10/1,2		4	
11	996 552 109 00	dashboard trim leatherette	/LL	-01	1
	A18	black		-00	
	A12	black		-01	
(11)	996 552 110 00	dashboard trim leatherette	/RL	-01	1
	A18	black		-00	
	A12	black		-01	
(11)	996 552 109 02	dashboard trim leatherette	/LL	02-	1 M002
	A12	black			
(11)	996 552 110 02	dashboard trim leatherette	/RL	02-	1
	A12	black			
(11)	996 552 109 00	dashboard trim leatherette	/LL	04-	1 M004
	A12	black			
(11)	996 552 101 00	dashboard trim leather	/LL	-01	1 M981

Model	Year	MG	SG	Illustration	Restrictions	UPD	18:28	26.01.2010	PORSCHE	PET	PORSCHE
GT3-1	2005	8	09	809-00		248					

Pos	Part Number	Description	Remark	Qty	Model	Pos	Part Number	Description	Remark	Qty	Model
	A11	black		00		--	999 073 169 07	tapping screw 4,8 X 16	02-	2	
	EVL	black		01-		--	999 507 462 02	speed nut 4,8	02-	5	
(11)	996 552 102 00	dashboard trim leather	/RL	-01	1 M981	--	999 507 796 02	u-clamp	02-	3	
	A11	black		00		12	996 552 381 02	moulding driver's side lacquered	/LL/L	1	
	EVL	black		01-			A03	black			
(11)	996 552 101 01	dashboard trim leather with cut-outs glove compartment	/LL	02-	1 M981	(12)	996 552 382 01	moulding driver's side lacquered	/RL/R	1	
	A11	black					A03	black			
	D12	dark grey/natural				12	996 552 996 00	moulding driver's side leather	/LL/L	01-	1 IXNU
	T12	brown/natural					A11	black			
(11)	996 552 102 01	dashboard trim leather with cut-outs glove compartment	/RL	02-	1 M981		D12	dark grey/natural		03-	
	A11	black					T12	brown/natural		03-	
	D12	dark grey/natural				(12)	996 552 997 00	moulding driver's side leather	/RL/R	01-	1 IXNU
	T12	brown/natural					A11	black			
--	999 551 145 40	lining strap 15 X 1,3 X 50		2			D12	dark grey/natural		03-	
--	999 507 768 02	speed nut 4,2		18			T12	brown/natural		03-	
--	999 507 533 02	clamp 8 X 10/2,5		23		12	996 552 996 01	moulding driver's side carbon	/LL/L	01-	1 IXNX
--	996 552 749 00	reinforcement strip	/LL	02-	1	(12)	996 552 997 01	moulding driver's side carbon	/RL/R	01-	1 IXNX
--	996 552 750 00	reinforcement strip driver's side	/RL	02-	1						
--	996 552 753 00	reinforcement strip	/LL	02-	1 M573	12	996 552 996 03	moulding driver's side aluminium arctic silver	/LL/L	-02	1 IXNY
--	996 552 754 00	reinforcement strip	/RL	02-	1 M573						
--	996 552 753 01	reinforcement strip	/LL	02-	1 M574	(12)	996 552 997 03	moulding driver's side aluminium arctic silver	/RL/R	-02	1 IXNY
---	996 552 754 01	reinforcement strip glove compartment	/RL	02-	1 M574						

Model	Year	MG	SG	Illustration	Restrictions	UPD	18:28	26.01.2010	PORSCHE	PET	PORSCHE
GT3-1	2005	8	09	809-00		248					

Pos	Part Number	Description	Remark	Qty	Model	Pos	Part Number	Description	Remark	Qty	Model
13	996 552 383 02	moulding centre lacquered	/LL	1		(14)	996 552 386 02	moulding passenger's side lacquered	/RL/L -99	1	
	A03	black					D05	granite grey			
(13)	996 552 384 01	moulding centre lacquered	/RL	1		14	996 552 385 03	moulding passenger's side	/LL/R 00-	1	
	A03	black					A03	black			
13	996 552 998 00	moulding centre	/LL	01-	1 IXNU	(14)	996 552 386 03	moulding lacquered passenger's side	/RL/L 00-	1	
	A11	black					A03	black			
	D12	dark grey/natural		03-		14	996 552 959 00	moulding passenger's side leather	/LL/R 00-	1 IXNU	
	T12	brown/natural		03-			A11	black			
(13)	996 552 998 01	moulding leather centre	/RL	01-	1 IXNU		D12	dark grey/natural		03-	
	A11	black					T12	brown/natural		03-	
	D12	dark grey/natural		03-		(14)	996 552 959 01	moulding passenger's side leather	/RL/L 00-	1 IXNU	
	T12	brown/natural		03-			A11	black			
13	996 552 998 02	moulding centre carbon	/LL	01-	1 IXNX		D12	dark grey/natural		03-	
(13)	996 552 998 03	moulding centre carbon	/RL/	01-	1 IXNX		T12	brown/natural		03-	
13	996 552 998 06	moulding centre aluminium arctic silver	/LL	-02	1 IXNY	14	996 552 959 06	moulding passenger's side carbon	/LL/R 00-	1 IXNX	
(13)	996 552 998 07	moulding centre aluminium arctic silver	/RL	-02	1 IXNY	(14)	996 552 959 07	moulding passenger's side carbon	/RL/L 00-	1 IXNX	
14	996 552 385 02	moulding passenger's side lacquered	/LL/R	-99	1	14	996 552 959 08	moulding passenger's side aluminium arctic silver	/LL/R -02	1 IXNY	
	D05	granite grey				(14)	996 552 959 09	moulding passenger's side aluminium arctic silver	/RL/L -02	1 IXNY	
						15	999 919 203 07	oval-head screw 3 X 10		11	

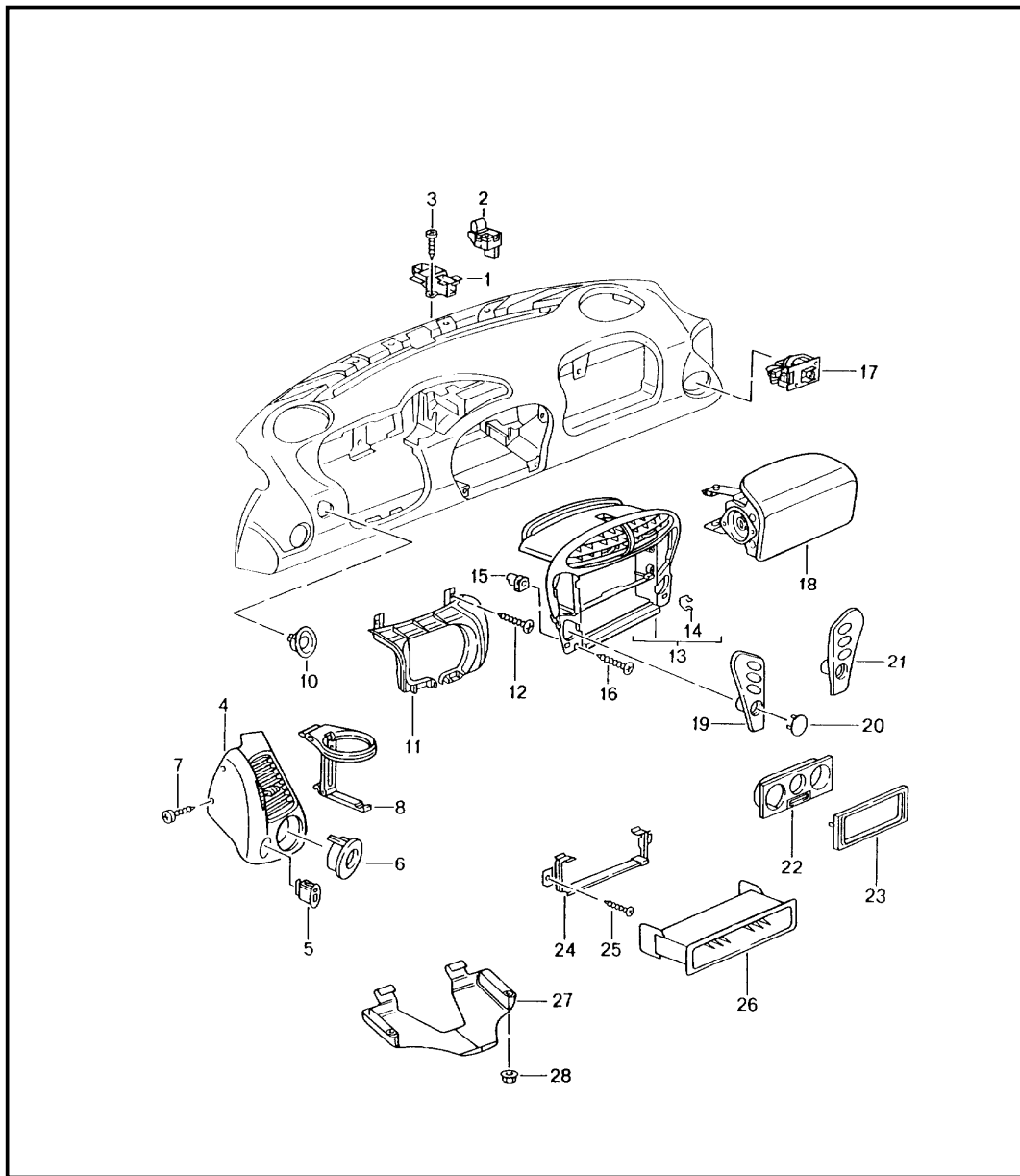
Model	Year	MG	SG	Illustration	Restrictions	UPD	18:28	26.01.2010	PORSCHE	PET	PORSCHE
GT3-1	2005	8	09	809-00		248					

Pos	Part Number	Description	Remark	Qty	Model	Pos	Part Number	Description	Remark	Qty	Model	
16	996 552 645 00	gasket cowl		1			VRK	black				
(17)	999 703 466 40	stopper 15,0 X 5,0		2			D12	dark grey/natural	03-			
							T12	brown/natural	03-			
18	999 074 057 09	hexagon-head bolt M 8 X 125		4		22	999 507 685 02	clamp 1,5-2,0	99-	2		
19	999 073 169 07	tapping screw 4,8 X 16		11		23	996 552 181 04	cover		1		
20	999 507 462 02	speed nut 4,8		19			A03	black				
21	996 552 185 04	defroster trim lacquered	/L	1		23	996 552 990 02	cover light leather	01-	1	IXV1	
	A03	black					A11	black				
(21)	996 552 186 04	defroster trim lacquered	/R	1			D12	dark grey/natural	03-			
	A03	black					T12	brown/natural	03-			
21	996 552 988 05	defroster trim leather	/L	01-	1	IXV1	24	996 552 617 03	support instrument wiring harness	/LL	1	
	VRK	black					(24)	996 552 618 02	support instrument wiring harness	/RL	1	
	D12	dark grey/natural					--	999 591 883 02	speed nut 4,8		2	
	T12	brown/natural					25	900 380 015 09	hexagon nut M 6		2	
(21)	996 552 989 05	defroster trim leather	/R	01-	1	IXV1	26	996 552 059 02	cover instruments leatherette	/LL	1	
	VRK	black						EQR	black	-00		
	D12	dark grey/natural						EUD	black	01-		
	T12	brown/natural					(26)	996 552 060 02	cover instruments leatherette	/RL	1	
21	996 552 988 04	defroster trim carbon leather	/L	01-	1	IXKJ		EQR	black	-00		
	VRK	black						EUD	black	01-		
	D12	dark grey/natural										
	T12	brown/natural					26	996 552 025 01	cover instruments leather	/LL	-02	1
(21)	996 552 989 04	defroster trim carbon leather	/R	01-	1	IXKJ						

Model	Year	MG	SG	Illustration	Restrictions	UPD	18:28	26.01.2010	PORSCHE	PET	PORSCHE
GT3-1	2005	8	09	809-00		248					

Pos	Part Number	Description	Remark	Qty	Model	Pos	Part Number	Description	Remark	Qty	Model
		EQV black		-00		30	996 552 469 01	rosette hazard warning light sw. lacquered	/LL	1	
		ETQ black		01-							
		VRP dark grey/natural					A03	black			
		VRQ brown/natural				(30)	996 552 470 01	rosette hazard warning light sw. lacquered	/RL	1	
(26)	996 552 026 01	cover instruments leather	/RL	-02	1		A03	black			
		EQV black		-00		30	996 552 966 00	rosette hazard warning light sw. leather	/LL	1	
		ETQ black		01-							
		VRP dark grey/natural					A11	black			
		VRQ brown/natural				(30)	996 552 966 01	rosette hazard warning light sw. leather	/RL	1	
26	996 552 025 02	cover instruments leather	/LL	03-	1	M981	A11	black			
		ETQ black									
		VRP dark grey/natural									
		VRQ brown/natural									
(26)	996 552 026 02	cover instruments leather	/RL	03-	1	M981					
		ETQ black									
		VRP dark grey/natural									
		VRQ brown/natural									
28	999 919 188 09	oval-head screw 5,0 X 30		-00	2						
(28)	999 073 220 09	tapping screw 4,8 X 25		01-	2						
29	996 552 625 02	cover microphone lacquered	/LL		1						
		A03 black									
(29)	996 552 626 02	cover microphone lacquered	/RL		1						
		A03 black									

Model	Year	MG	SG	Illustration	Restrictions	UPD	18:28	26.01.2010	PORSCHE	PET	PORSCHE
GT3-1	2005	8	09	809-01		248					



Pos	Part Number	Description	Remark	Qty	Model
		accessories dashboard trim	-01		
1	996 552 541 02	mounting light		1	
2	996 653 251 00	sensor		1	M534/535
3	999 919 120 09	oval-head screw 4,0 X 18		2	
4	996 552 225 05	side vent lacquered	/L -00	1	
	A03	black			
(4)	996 552 228 05	side vent lacquered	/R -00	1	
	A03	black			
4	996 552 225 06	side vent lacquered	/L 01	1	
	A03	black			
4	996 552 228 06	side vent lacquered	/R 01	1	
	A03	black			
4	996 552 984 00	side vent leather	/L 01-	1	IXN3
	VRK	black			
(4)	996 552 985 00	side vent leather	/R 01-	1	IXN3
	VRK	black			
4	996 552 984 03	side vent carbon leather	/L 01-	1	IXKD
	VRK	black			
(4)	996 552 985 03	side vent carbon leather	/R 01-	1	IXKD
	VRK	black			
4	996 552 984 05	side vent arctic silver leather	/L 01-	1	IXKE

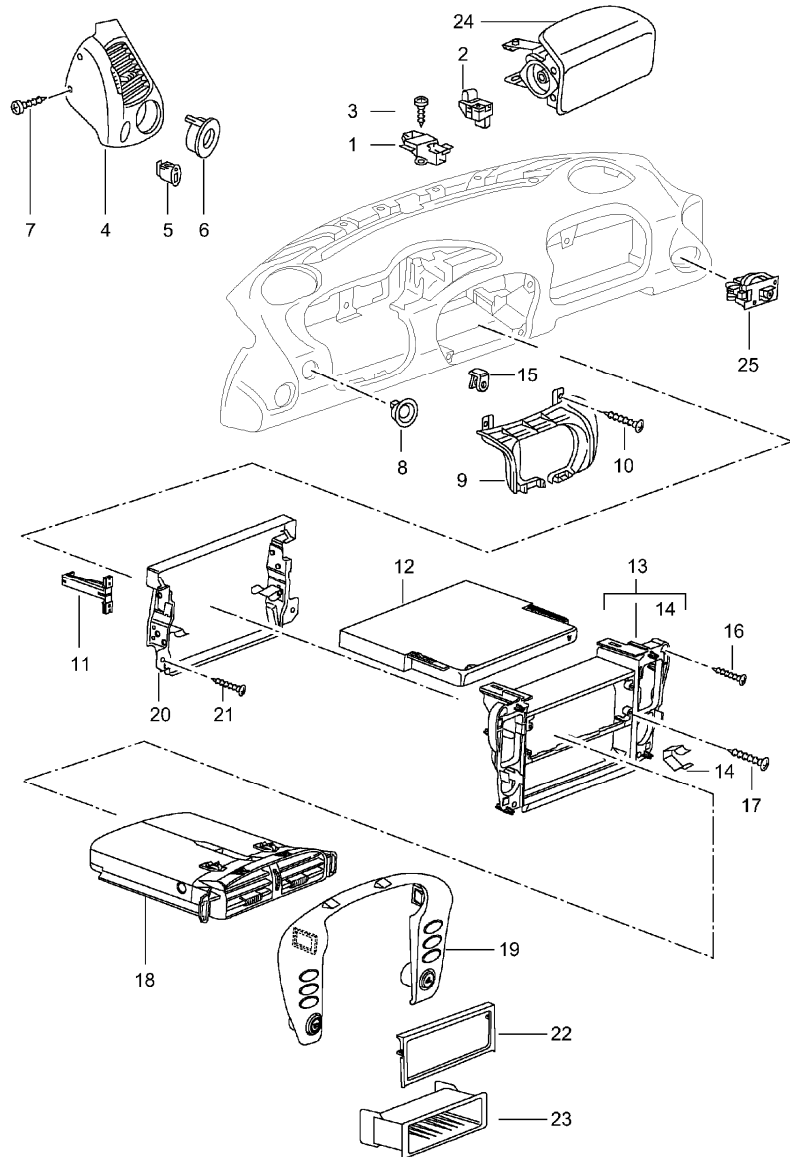
Model	Year	MG	SG	Illustration	Restrictions	UPD	18:28	26.01.2010	PORSCHE	PET	PORSCHE
GT3-1	2005	8	09	809-01		248					

Pos	Part Number	Description	Remark	Qty	Model	Pos	Part Number	Description	Remark	Qty	Model
	VRK	black				10	996 552 980 00	rosette ignition starter lock leather	/LL	01-	1 IXJ4
(4)	996 552 985 05	side vent arctic silver leather	/R	01-	1 IXKE		A11	black			
	VRK	black				(10)	996 552 980 01	rosette ignition starter lock leather	/RL	01-	1 IXJ4
5	996 552 621 01	cover headlight levelling system lacquered		1			A11	black			
	A03	black				11	996 552 271 03	cover steering			1
5	996 552 986 00	cover headlight levelling system leather		01-	1 IXNH		A03	black			
	A11	black				11	986 552 988 03	cover steering leather		01	1 IXNS
6	996 552 417 02	rosette interior sensor lacquered		1			A11	black			
	A03	black				12	999 919 123 09	oval-head screw 5,0 X 20			8
6	996 552 987 00	rosette interior sensor leather		01-	1 IXNH	13	996 552 131 04	support frame		-01	1
	A11	black					A03	black			
7	999 919 120 09	oval-head screw 4,0 X 18		-00	4	(13)	996 552 969 08	support frame leather		-01	1 IXNN
7	999 073 218 09	tapping screw 4,2 X 16		01-	4		A11	black			
8	U 986 552 183 00	support	/L	1		(13)	996 552 969 16	support frame		-01	1 IXKW
	01C	satin black					92T	arctic silver			
(8)	U 986 552 184 00	support beverages	/R	1		14	999 507 533 02	clamp 8/2,5			4
	01C	satin black				(15)	999 920 015 40	plug-in nut 4,0 X 4,0 X 9			11
10	996 552 235 03	rosette ignition starter lock	/LL	1		15	999 920 012 40	plug-in nut 5,0 X 3,5 X 8			4
	A03	black				16	999 919 123 09	oval-head screw 5,0 X 20		-00	4
(10)	996 552 236 03	rosette ignition starter lock	/RL	1		16	999 073 218 09	tapping screw 4,2 X 16		01-	4
	A03	black				17	996 653 241 00	interior sensor side vent			1 M573

Model	Year	MG	SG	Illustration	Restrictions	UPD	18:28	26.01.2010	PORSCHE	PET	PORSCHE
GT3-1	2005	8	09	809-01		248					

Pos	Part Number	Description	Remark	Qty	Model	Pos	Part Number	Description	Remark	Qty	Model
18	---	see group 4/03/06		1		25	999 073 218 09	tapping screw 4,2 X 16	01-	2	
19	996 552 233 04	trim for switch upper part/lower part	/L	-01	1	26	996 552 253 01	shelf instead of radio		1	
	A03	black/black					01C	satin black			
19	996 552 967 04	trim for switch leather	/L	01	1 IXNN	26	996 552 994 01	shelf leather	01-	1	IXMF
	A11	black					A11	black			
19	996 552 967 07	trim for switch carbon	/L	01	1 IXNR	27	996 552 173 01	shelf		1	
20	986 552 543 01	cover switch lacquered		02-	1 M001		A03	black			
	A03	black				(28)	999 591 712 40	expansion rivet 6,0 X 12,0		2	
21	996 552 234 04	trim for switch upper part/lower part	/R	-01	1						
	A03	black/black									
21	996 552 968 04	trim for switch leather	/R	01	1 IXNN						
	A11	black									
21	996 552 968 07	trim for switch carbon	/R	01	1 IXNR						
22	996 552 153 01	support frame heating			1 M574						
	01C	satin black									
22	996 552 991 00	support frame heating leather			1 IXKW/XNN M574						
	A11	black									
23	996 552 677 00	frame air-conditioning switch			1						
	01C	satin black									
24	996 552 673 02	retaining bar			1						
25	999 919 123 09	oval-head screw 5,0 X 20			-00	2					

Model	Year	MG	SG	Illustration	Restrictions	UPD	18:28	26.01.2010	PORSCHE	PET	PORSCHE
GT3-1	2005	8	09	809-02		248					



Pos	Part Number	Description	Remark	Qty	Model
		accessories dashboard trim	02-		
1	996 552 541 02	mounting light		1	
2	996 653 251 00	sensor		1	M534/535
3	999 919 120 09	oval-head screw 4,0 X 18		2	
4	996 552 225 06	side vent lacquered	/L	1	
	A03	black			
(4)	996 552 228 06	side vent lacquered	/R	1	
	A03	black			
4	996 552 984 00	side vent leather	/L	1	IXN3
	VRK	black			
	D12	dark grey/natural	03-		
	T12	brown/natural	03-		
(4)	996 552 985 00	side vent leather	/R	1	IXN3
	VRK	black			
	D12	dark grey/natural	03-		
	T12	brown/natural	03-		
4	996 552 984 03	side vent carbon leather	/L	1	IXKD
	VRK	black			
	D12	dark grey/natural	03-		
	T12	brown/natural	03-		
(4)	996 552 985 03	side vent carbon leather	/R	1	IXKD
	VRK	black			
	D12	dark grey/natural	03-		

Model	Year	MG	SG	Illustration	Restrictions	UPD	18:28	26.01.2010	PORSCHE	PET	PORSCHE
GT3-1	2005	8	09	809-02		248					

Pos	Part Number	Description	Remark	Qty	Model	Pos	Part Number	Description	Remark	Qty	Model
		T12 brown/natural	03-			6	996 552 987 00	rosette interior sensor leather		1	IXNH
4	996 552 984 05	side vent arctic silver leather	/L -02	1	IXKE		A11	black			
		VRK black					D12	dark grey/natural	03-		
(4)	996 552 985 05	side vent arctic silver leather	/R -02	1	IXKE		T12	brown/natural	03-		
		VRK black				7	999 073 218 09	tapping screw 4,2 X 16		4	
4	996 552 984 07	side vent aluminium look leather	/L 03-	1	IXCC	8	996 552 235 03	rosette ignition starter lock	/LL	1	
		VRK black					A03	black			
		D12 dark grey/natural				(8)	996 552 236 03	rosette ignition starter lock	/RL	1	
		T12 brown/natural					A03	black			
(4)	996 552 985 07	side vent aluminium look leather	/R 03-	1	IXCC	8	996 552 980 00	rosette ignition starter lock leather	/LL	1	IXJ4
		VRK black					A11	black			
		D12 dark grey/natural					D12	dark grey/natural	03-		
		T12 brown/natural					T12	brown/natural	03-		
5	996 552 621 01	cover headlight levelling system lacquered		1		(8)	996 552 980 01	rosette ignition starter lock leather	/RL	1	IXJ4
		A03 black					A11	black			
5	996 552 986 00	cover headlight levelling system leather		1	IXNH		D12	dark grey/natural	03-		
		A11 black					T12	brown/natural	03-		
		D12 dark grey/natural	03-			9	996 552 271 03	cover steering		1	
		T12 brown/natural	03-				A03	black			
6	996 552 417 02	rosette interior sensor lacquered		1		9	986 552 988 03	cover steering leather	03-	1	IXNS
		A03 black					VRK	black			
							D12	dark grey/natural			
							T12	brown/natural			

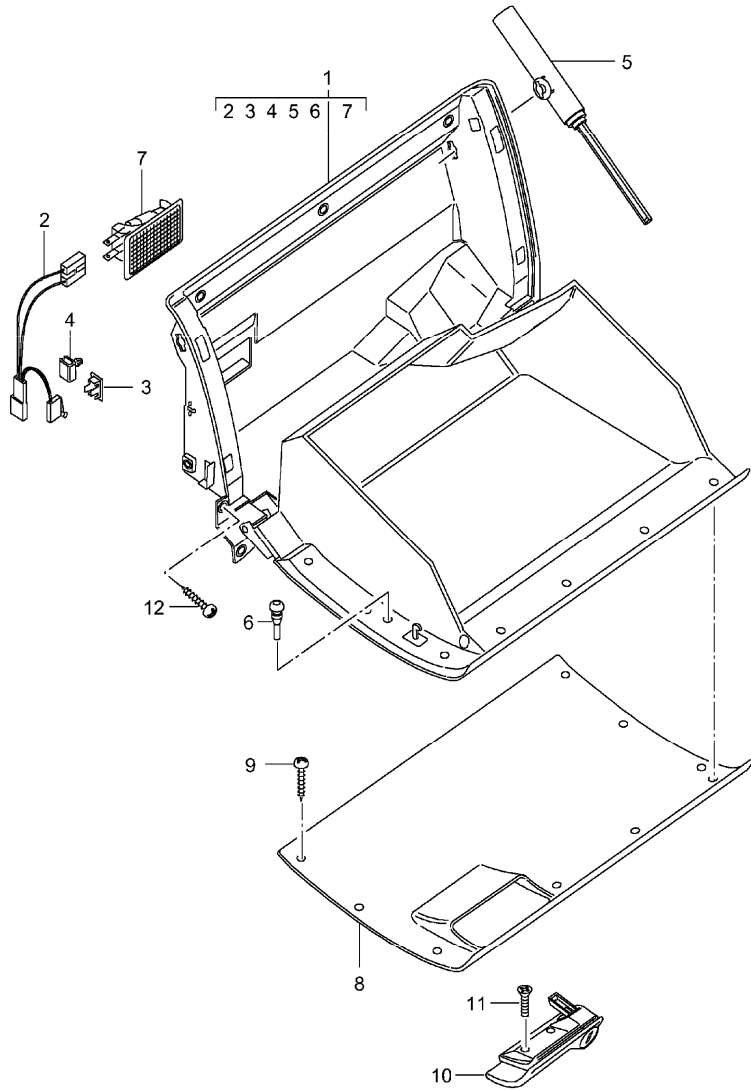
Model	Year	MG	SG	Illustration	Restrictions	UPD	18:28	26.01.2010	PORSCHE	PET	PORSCHE
GT3-1	2005	8	09	809-02		248					

Pos	Part Number	Description	Remark	Qty	Model	Pos	Part Number	Description	Remark	Qty	Model
10	999 919 123 09	oval-head screw 5,0 X 20		8		17	900 143 076 09	tapping screw 4,2 X 25		2	
12	996 552 183 00	support beverages	/LL	1		18	996 552 263 01	centre nozzle		1	
	01C	satin black					01C	satin black			
(12)	996 552 184 00	support beverages	/RL	1		18	996 552 950 00	centre nozzle leather		1	IXNN/XNR
	01C	satin black					A11	black			
12	996 552 958 00	support beverages leather	/LL	1	IXNN/XNR		D12	dark grey/natural	03-		
	A11	black					T12	brown/natural	03-		
	D12	dark grey/natural				18	996 552 951 00	centre nozzle aluminium look	03-	1	IXCD
	T12	brown/natural					A11	black			
(12)	996 552 958 01	support beverages leather	/RL	1	IXNN/XNR		D12	dark grey/natural			
	A11	black					T12	brown/natural			
	D12	dark grey/natural				19	996 552 233 06	trim for switch upper part/lower part		1	
	T12	brown/natural					A03	black/black			
13	996 552 231 11	support frame		1		19	996 552 967 08	trim for switch leather		1	IXCD/XNN
	01C	satin black					A11	black			
(13)	996 552 969 25	support frame leather		1	IXNN		D12	dark grey/natural	03-		
	A11	black					T12	brown/natural	03-		
	D12	dark grey/natural				19	996 552 967 11	trim for switch carbon		1	IXNR
	T12	brown/natural				19	996 552 967 13	trim for switch arctic silver		1	IXKW
13	996 552 969 34	support frame carbon		1	IXNR	20	996 552 673 03	retaining bar radio		1	
14	999 507 533 02	clamp 8/2,5		4		21	999 073 218 09	tapping screw 4,2 X 16		2	
(15)	999 507 768 02	speed nut 4,2		18		22	986 552 153 00	frame		1	M574
16	999 073 218 09	tapping screw 4,2 X 16		4			01C	satin black			
						22	996 552 677 01	frame air-conditioning switch		1	M573

Model	Year	MG	SG	Illustration	Restrictions	UPD	18:28	26.01.2010	PORSCHE	PET	PORSCHE
GT3-1	2005	8	09	809-02		248					

Pos	Part Number	Description	Remark	Qty	Model	Pos	Part Number	Description	Remark	Qty	Model
	01C	satin black									
(22)	996 552 992 00	frame		1	IXKW/XNN/ M573						
		air-conditioning switch									
	A11	black									
23	996 552 253 01	shelf instead of radio		1							
	01C	satin black									
23	996 552 994 01	shelf leather		1	IXMF						
	A11	black									
24	--- --- --- --	see group 4/03/06		1							
25	996 653 241 00	interior sensor		1							

Model	Year	MG	SG	Illustration	Restrictions	UPD	18:28	26.01.2010	PORSCHE	PET	PORSCHE
GT3-1	2005	8	09	809-03		248					

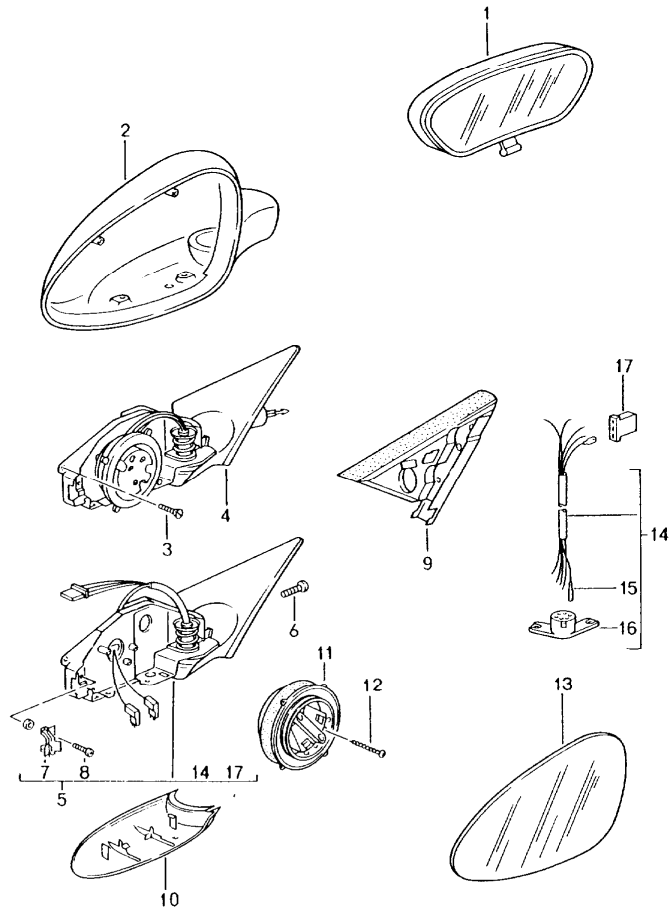


Pos	Part Number	Description	Remark	Qty	Model
		glove compartment	02-		
1	996 552 119 00	glove compartment	/LL	1	
	01C	satin black			
(1)	996 552 120 00	glove compartment	/RL	1	
	01C	satin black			
2	996 622 501 00	wiring harness		1	
3	999 650 564 40	clip for wiring harness microswitch		1	
4	999 650 565 40	clip for wiring harness		1	
5	996 552 779 00	damper		2	
6	999 703 491 50	buffer 7 X 9,5 X 19,5		2	
7	928 632 101 00	glove compartment light		1	
8	996 552 133 00	glove compartment cover leatherette	/LL	1	
	A12	black			
(8)	996 552 134 00	glove compartment cover leatherette	/RL	1	
	A12	black			
8	996 552 133 01	glove compartment cover leather	/LL	1	
	A11	black			
	D12	dark grey/natural			
	T12	brown/natural			
(8)	996 552 134 01	glove compartment cover leather	/RL	1	
	A11	black			
	D12	dark grey/natural			
	T12	brown/natural			

Model	Year	MG	SG	Illustration	Restrictions	UPD	18:28	26.01.2010	PORSCHE	PET	PORSCHE
GT3-1	2005	8	09	809-03		248					

Pos	Part Number	Description	Remark	Qty	Model	Pos	Part Number	Description	Remark	Qty	Model
9	999 073 249 07	tapping screw 3,5 X 11		02	11						
9	999 073 308 07	tapping screw 3,5 X 12		03-	11						
10	996 552 349 00	handle complete	/LL	02	1						
	V01	silver									
(10)	996 552 350 00	handle complete	/RL	02	1						
	V01	silver									
10	996 552 349 01	handle	/LL	03-	1						
	V03	sport silver									
(10)	996 552 350 01	handle	/RL	03-	1						
	V03	sport silver									
--	996 552 915 00	lock cylinder glove compartment vehicle identification no. indicate			1						
11	999 073 240 02	screw M 4 X 10			2						
12	999 073 169 07	tapping screw 4,8 X 16			7						

Model	Year	MG	SG	Illustration	Restrictions	UPD	18:28	26.01.2010	PORSCHE	PET	PORSCHE
GT3-1	2005	8	09	809-10		248					

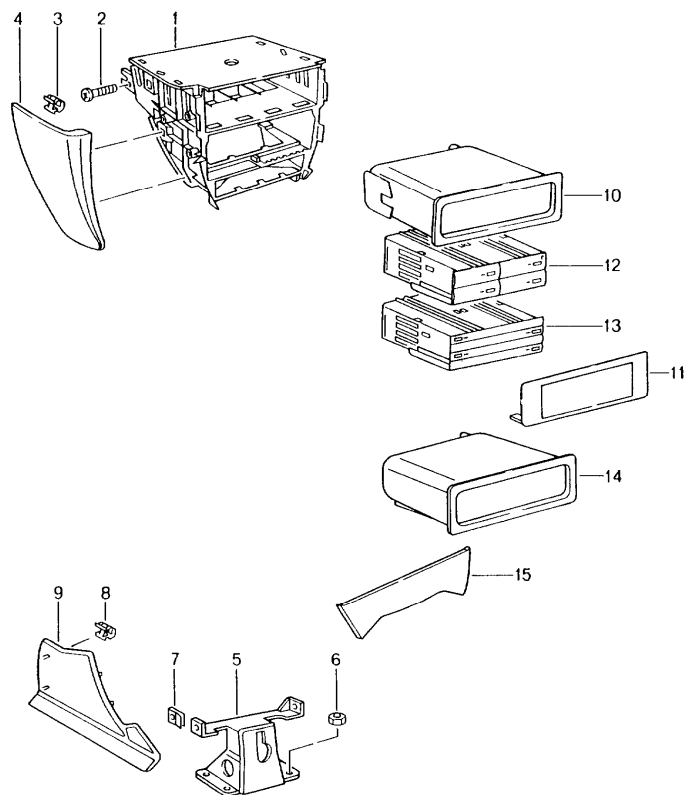


Pos	Part Number	Description	Remark	Qty	Model
1	996 731 511 01	interior mirror door mirror		1	
	01C	satin black			
2	996 731 619 00	housing door mirror	/L	1	
	G2L	prime coated			
(2)	996 731 620 00	housing door mirror	/R	1	
	G2L	prime coated			
2	996 731 619 30	housing door mirror carbon	/L	04-	1 M004
(2)	996 731 620 30	housing door mirror carbon	/R	04-	1 M004
3	999 919 170 02	countersunk-head screw 3,0 X 10		6	
4	986 731 219 00	mirror base door mirror manually adjustable	/LL/L	-00	1
	G2L	prime coated			
(4)	986 731 219 01	mirror base door mirror manually adjustable	/RL/L	-00	1
	G2L	prime coated			
(4)	986 731 220 00	mirror base door mirror manually adjustable	/LL/R	-00	1
	G2L	prime coated			
(4)	986 731 220 01	mirror base door mirror manually adjustable	/RL/R	-00	1
	G2L	prime coated			
5	996 731 219 00	mirror base door mirror electrically adjustable	/LL/L	1	
	G2L	prime coated			

Model	Year	MG	SG	Illustration	Restrictions	UPD	18:28	26.01.2010	PORSCHE	PET	PORSCHE
GT3-1	2005	8	09	809-10		248					

Pos	Part Number	Description	Remark	Qty	Model	Pos	Part Number	Description	Remark	Qty	Model
(5)	996 731 220 00	mirror base door mirror electrically adjustable	/LL/R	1		(13)	996 731 035 02	mirror glass aspherical	/LL/L	1	M271/273
	G2L	prime coated				(13)	996 731 036 02	mirror glass aspherical	/RL/R	1	M271/273
(5)	996 731 219 01	mirror base door mirror electrically adjustable	/RL/L	1		(13)	996 731 037 01	mirror glass convex	/RL/L	1	M273
	G2L	prime coated				(13)	996 731 038 02	mirror glass convex	/LL/R	1	M273
(5)	996 731 220 01	mirror base door mirror electrically adjustable	/RL/R	1		14	996 612 674 00	wiring harness		1	
	G2L	prime coated				15	999 652 710 10	cylindrical socket		30	
6	999 073 125 02	oval-head screw M 5 X 14		6		17	311 906 231 B	connector housing 3-pole		2	M273
7	999 507 549 02	spring clamp		2							
8	900 278 010 02	oval-head screw		2							
9	996 537 731 00	filler piece outer	/L	1							
(9)	996 537 732 00	filler piece outer	/R	1							
(9)	996 537 733 00	filler piece inner	/L	1							
(9)	996 537 734 00	filler piece inner	/R	1							
10	996 731 719 00	cover lower	/L	1							
	G2L	prime coated									
(10)	996 731 720 00	cover lower	/R	1							
	G2L	prime coated									
11	996 624 047 00	adjusting motor		2							
12	900 278 013 02	oval-head screw M 3 X 30		6							
(13)	996 731 035 01	mirror glass plane	/LL/L	1	M270/273						
(13)	996 731 036 01	mirror glass plane	/RL/R	1	M270/273						

Model	Year	MG	SG	Illustration	Restrictions	UPD	18:29	26.01.2010	PORSCHE	PET	PORSCHE
GT3-1	2005	8	09	809-15		248					

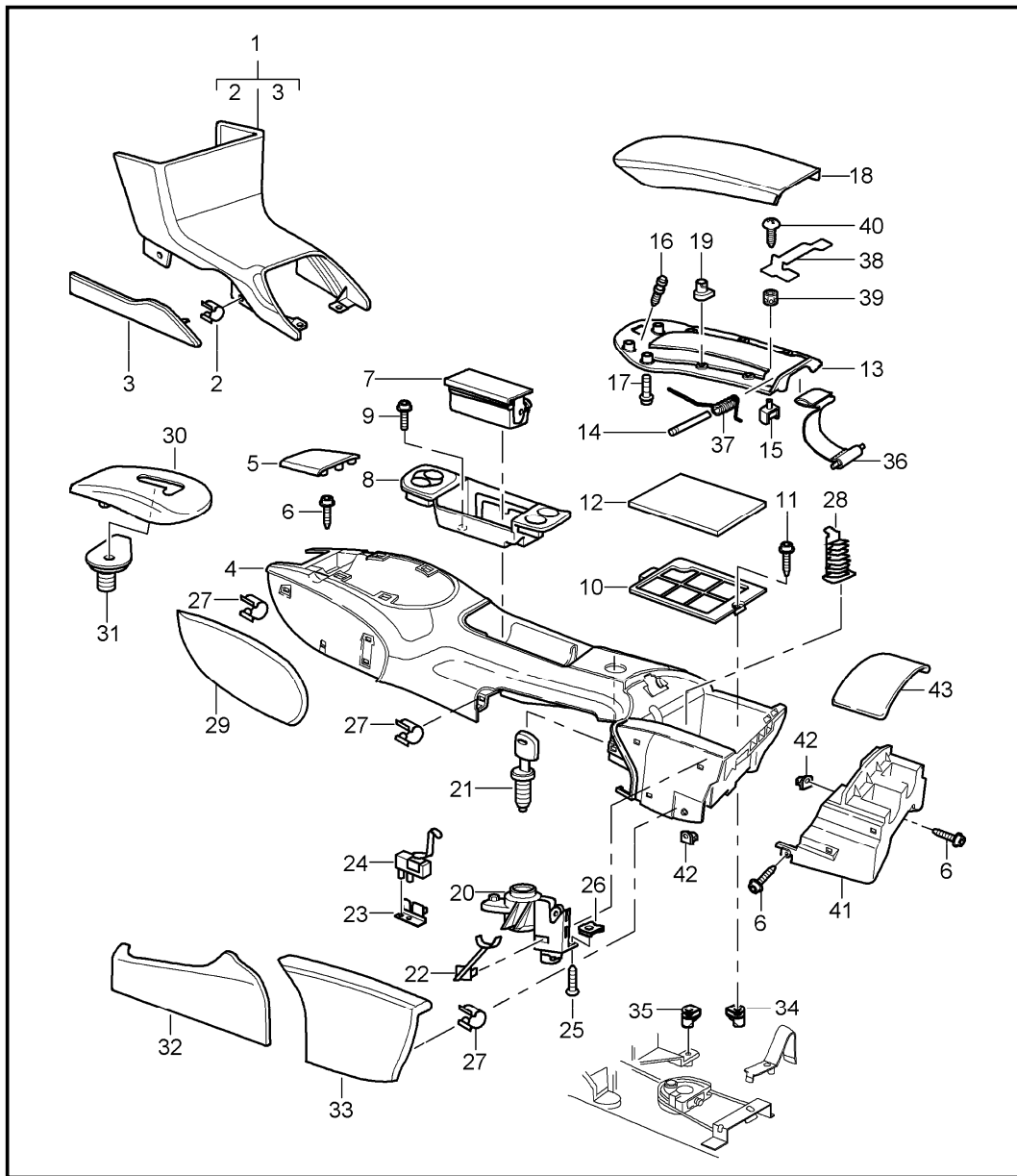


Pos	Part Number	Description	Remark	Qty	Model
		centre console front			
1	996 552 115 02	bracket		1	
		01C satin black			
1	996 552 973 01	bracket leather	01-	1	IXMF
		A11 black			
		D12 dark grey/natural	03-		
		T12 brown/natural	03-		
2	999 919 121 09	oval-head screw 5,0 X 16		4	
3	999 507 476 01	clamp 8,0 X 10,2		6	
(4)	996 552 091 06	cover leatherette	/L	1	
		A18 black	-00		
		A12 black	01-		
(4)	996 552 092 06	cover leatherette	/R	1	
		A18 black	-00		
		A12 black	01-		
4	996 552 091 07	cover leather	/L	1	
		A11 black			
		D12 dark grey/natural	03-		
		T12 brown/natural	03-		
(4)	996 552 092 07	cover leather	/R	1	
		A11 black			
		D12 dark grey/natural	03-		
		T12 brown/natural	03-		
(5)	996 552 267 05	support lower		1	

Model	Year	MG	SG	Illustration	Restrictions	UPD	18:29	26.01.2010	PORSCHE	PET	PORSCHE
GT3-1	2005	8	09	809-15		248					

Pos	Part Number	Description	Remark	Qty	Model	Pos	Part Number	Description	Remark	Qty	Model
6	999 084 629 09	hexagon nut M 6		4		(13)	996 552 981 00	box for cds leather	01-	1	IXMF/M424
7	999 920 011 40	plug-in nut 5,0 X 1,0 X 8		4			A11	black			
8	999 507 476 01	clamp 8,0 X 10,2		2			D12	dark grey/natural	03-		
9	996 552 113 02	cover carpet	/L	1		14	996 552 243 01	shelf		1	
	A10	black					01C	satin black			
	D11	dark grey/natural	03-			14	996 552 982 01	shelf leather	01-	1	IXMF
	T11	brown/natural	03-				A11	black			
(9)	996 552 114 02	cover carpet	/R	1			D12	dark grey/natural	03-		
	A10	black					T12	brown/natural	03-		
	D11	dark grey/natural	03-			15	996 552 335 00	trim for switch		1	M003
	T11	brown/natural	03-				01C	satin black			
10	996 552 253 01	shelf		1		15	996 552 983 00	trim for switch leather	01-	1	IXKW/XMF/XNN
	01C	satin black					A11	black			
10	996 552 994 01	shelf leather		-02	1		D12	dark grey/natural	03-		
	A11	black					T12	brown/natural	03-		
11	996 552 443 00	frame		01-	1						
	01C	satin black									
(11)	996 552 992 00	frame		01	1						/573 IXNN
		air-conditioning switch leather									
	A11	black									
12	996 552 763 00	cassette box		-02	4						M421
(12)	996 552 981 01	cassette box leather		01-02	1						IXMF/M421
	A11	black									
13	996 552 773 00	box for cds			1						M424

Model	Year	MG	SG	Illustration	Restrictions	UPD	18:29	26.01.2010	PORSCHE	PET	PORSCHE
GT3-1	2005	8	09	809-20		248					



Pos	Part Number	Description	Remark	Qty	Model
1	986 552 113 02	centre console centre		1	M002
	A10	black			
	D11	dark grey/natural	03-		
	T11	brown/natural	03-		
2	999 507 533 02	clamp 8,0 X 10,2		26	
3	986 552 513 02	lid carpet	/L	1	
	A10	black			
	D11	dark grey/natural	03-		
	T11	brown/natural	03-		
(3)	986 552 514 02	lid carpet	/R	1	
	A10	black			
	D11	dark grey/natural	03-		
	T11	brown/natural	03-		
4 A	996 552 125 02	centre console	-02	1	
	A03	black			
4	996 552 125 03	centre console	03-	1	
	A03	black			
4	986 552 995 09	centre console	-02	1	IXJB
	92U	arctic silver metallic			
4	986 552 995 09	centre console	01-	1	IXME
	39G	violet metallic	-01		
	746	black-metallic	-01		
	3W7	dark blue	-01		
	23I	wimbledon green metallic	-01		
	9A3	biarritz white	-01		

Model	Year	MG	SG	Illustration	Restrictions	UPD	18:29	26.01.2010	PORSCHE	PET	PORSCHE
GT3-1	2005	8	09	809-20		248					

Pos	Part Number	Description	Remark	Qty	Model	Pos	Part Number	Description	Remark	Qty	Model
	2A2	rainforest green metallic	-02			-	996 552 843 01	sound absorber centre		1	
	041	black				-	996 552 845 01	sound absorber rear		1	
	84A	guards red				5	986 552 241 02	cover front lacquered	/V	1	
	12H	speed yellow					A03	black			
	8A3	orient red metallic				6	999 919 121 09	oval-head screw 5,0 X 16		X	
	M5W	lapis blue metallic				7	996 552 595 01	insert ashtray		1	
	6A6	meridian metallic					A03	black			
	39C	midnight blue metallic				7	986 552 997 01	insert ashtray leather	01-	1	IXMZ
	6B4	seal grey metallic					A11	black			
	2B4	forest green metallic					D12	dark grey/natural	03-		
	3C8	cobalt blue metallic					T12	brown/natural	03-		
	92M	polar silver metallic				7	986 552 997 02	insert ashtray carbon	01-	1	IXMJ
	23F	slate grey metallic									
	1A8	zanzibar red									
	B9A	carrara white	02-								
	C9Z	basalt black metallic	02-			7	986 552 997 02	insert ashtray carbon	01-	1	IXMJ
	M6W	lagoon green metallic	03-								
4	986 552 995 09	centre console	03-	1	IXCE	7	986 552 997 00	insert ashtray lacquered	01-	1	
	V03	sport silver									
4	986 552 995 01	centre console leather	01	1	IXMZ		92T	arctic silver	-02		IXJB
	VRK	black					V03	silver	03-		IXCE
4	986 552 995 05	centre console leather	02-	1	IXMZ		G2X	prime coated			IXME
	VRK	black				8	996 552 095 01	ashtray	-00	1	
	D12	dark grey/natural	03-				A03	black			
	T12	brown/natural	03-			8	996 552 095 02	ashtray	01-	1	
4	986 552 995 08	centre console carbon	01-	1	IXMJ		A03	black			
						8	986 552 996 05	ashtray leather	01-	1	IXMZ
-	996 552 841 01	sound absorber front		1			A11	black			

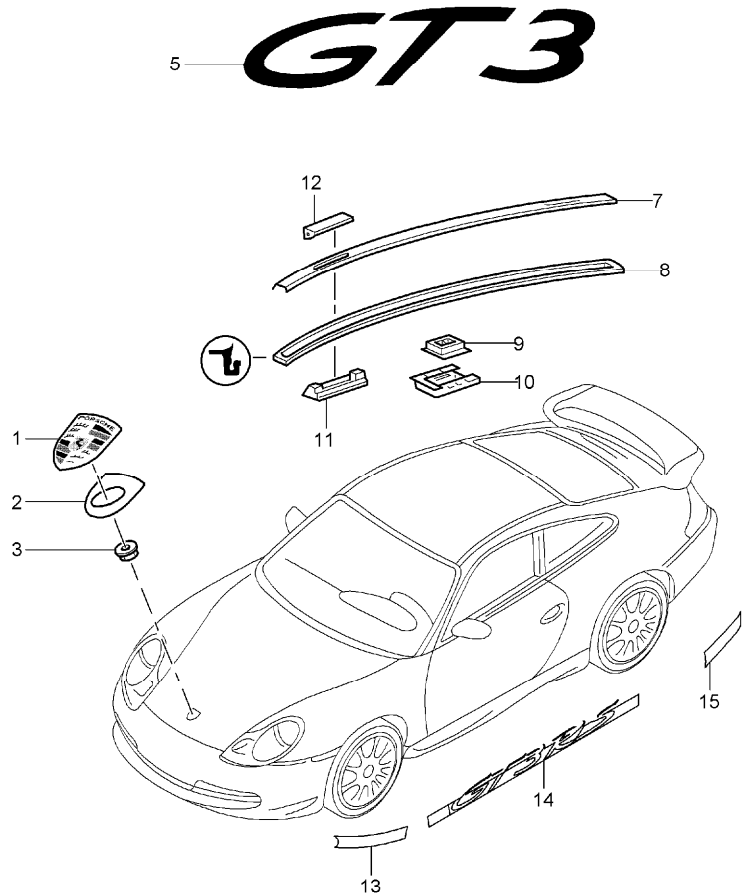
Model	Year	MG	SG	Illustration	Restrictions	UPD	18:29	26.01.2010	PORSCHE	PET	PORSCHE
GT3-1	2005	8	09	809-20		248					

Pos	Part Number	Description	Remark	Qty	Model	Pos	Part Number	Description	Remark	Qty	Model
	D12	dark grey/natural	03-			20	996 552 097 01	lock		1	
	T12	brown/natural	03-				01C	satin black			
8	986 552 996 08	ashtray carbon	01-	1	IXMJ	21	996 552 907 00	lock cylinder w/o stipulated lock number		1	
8	986 552 996 09	ashtray	01-	1	IXJB	21	996 552 907 01	lock cylinder state lock number		1	
	92T	arctic silver	-02			23	996 637 211 00	support		1	
	V03	silver	03-		IXCE	24	996 613 205 00	microswitch		1	
(9)	999 591 941 40	screw with expander nut		2		25	999 919 121 09	oval-head screw 5 X 16		3	
10	996 552 365 00	floor shelf		1		26	999 920 017 40	plug-in nut 3,5 X 2,5 X 5		3	
11	999 919 121 09	oval-head screw M 5 X 16		1		27	999 507 476 01	clamp 8,0 X 10,2		25	
12	996 552 665 00	insert shelf		1		28	996 552 695 00	coin box		1	
13	996 552 205 00	lid		1			01C	satin black			
	01C	satin black				29	996 552 087 05	cover leatherette	/L	1	
14	996 552 605 00	hinge pin		1			A18	black	-00		
16	996 552 833 00	rubber stop		2			A12	black	01-		
17	999 919 175 09	oval-head screw 3,5 X 12		8		(29)	996 552 088 05	cover leatherette	/R	1	
18	996 552 155 03	lid leather		1			A18	black	-00		
	A11	black					A12	black	01-		
	D12	dark grey/natural	03-			29	996 552 087 03	cover leather	/L	1	
	T12	brown/natural	03-				A11	black			
18	996 552 965 00	lid leather	01-	1	IXMZ		D12	dark grey/natural	03-		
	VRK	black					T12	brown/natural	03-		
	D12	dark grey/natural	03-			(29)	996 552 088 03	cover leather	/R	1	
	T12	brown/natural	03-				A11	black			
19	999 920 017 40	plug-in nut 3,5 X 2,5 X 5		8			D12	dark grey/natural	03-		

Model	Year	MG	SG	Illustration	Restrictions	UPD	18:29	26.01.2010	PORSCHE	PET	PORSCHE
GT3-1	2005	8	09	809-20		248					

Pos	Part Number	Description	Remark	Qty	Model	Pos	Part Number	Description	Remark	Qty	Model
	T12	brown/natural	03-			36	996 552 691 00	retaining belt with retaining pin		1	
(30)	996 552 655 01	retaining frame		1	M480						
32	996 552 283 02	cover handbrake		1		37	996 552 795 01	spring		1	
	A03	black				38	996 552 793 01	retaining bracket package box lid		1	
32	996 552 993 02	cover handbrake carbon	01-	1	IXMJ	39	999 507 645 02	threaded piece		2	
32	996 552 993 01	cover handbrake lacquered		1	IXCE/XME	40	999 073 081 02	tapping screw 4,2 X 13		2	
	92T	arctic silver metallic	-02			41	996 552 227 00	extension lower part		1	
	V03	sport silver	03-			42	999 920 011 40	plug-in nut 5,0 X 2 X 8		X	
33	996 552 089 02	cover leatherette	/L	1		43	996 552 127 00	extension upper part leather		1	
	A18	black	-00				A11	black			
	A12	black	01-				D12	dark grey/natural	03-		
(33)	996 552 090 02	cover leatherette	/R	1			T12	brown/natural	03-		
	A18	black	-00			(43)	996 552 962 00	extension upper part leather		1	IXMZ
	A12	black	01-				VRK	black			
33	996 552 089 03	cover leather	/L	1			D12	dark grey/natural	03-		
	A11	black					T12	brown/natural	03-		
	D12	dark grey/natural	03-								
	T12	brown/natural	03-								
(33)	996 552 090 03	cover leather	/R	1							
	A11	black									
	D12	dark grey/natural	03-								
	T12	brown/natural	03-								
35	999 920 012 40	plug-in nut 5,0 X 3,5 X 8		2							

Model	Year	MG	SG	Illustration	Restrictions	UPD	19:44	26.01.2010	PORSCHE	PET	PORSCHE
GT3-1	2005	8	10	810-00		248					



Pos	Part Number	Description	Remark	Qty	Model
		insignias decorative fittings			
1	997 559 211 00	lid emblem Information available	WW	1	
(1)	996 559 211 01	lid emblem Information available	WW	1	
2	A 901 559 215 20	desk pad		1	
(2)	7L5 853 611 B	desk pad		1	
3	999 591 423 03	tapping nut		2	
5	996 559 237 90	logo gt3		1	
		70C rally black * GT3 RS *			
(5)	996 559 237 92	logo * GT3 RS * riviera blue		04	M004/598
(5)	996 559 237 93	logo * GT3 RS * guards red		04	M004/597
7	996 559 401 00	roof edge strip G2X prime coated	/L	1	
(7)	996 559 402 00	roof edge strip G2X prime coated	/R	1	
(8)	996 559 721 00	gasket	/L	1	
8	996 559 722 00	gasket	/R	1	
9	996 559 405 01	adapter		10	
10	996 559 403 01	clip		10	
11	996 559 729 00	bracket for flap		4	
12	996 559 501 00	flap G2X prime coated	/V	2	
(12)	996 559 503 00	flap G2X prime coated	/H	2	

Model	Year	MG	SG	Illustration	Restrictions	UPD	19:44	26.01.2010	PORSCHE	PET	PORSCHE
GT3-1	2005	8	10	810-00		248					

Pos	Part Number	Description	Remark	Qty	Model	Pos	Part Number	Description	Remark	Qty	Model
13	996 559 331 90	decorative film front guards red	/L	04-	1 M004/597						
(13)	996 559 332 90	decorative film front guards red	/R	04-	1 M004/597						
13	996 559 331 91	decorative film front riviera blue	/L	04-	1 M004/598						
(13)	996 559 332 91	decorative film front riviera blue	/R	04-	1 M004/598						
14	996 559 333 90	decorative film lateral guards red	/L	04-	1 M004/597						
(14)	996 559 334 90	decorative film lateral guards red	/R	04-	1 M004/597						
14	996 559 333 91	decorative film lateral riviera blue	/L	04-	1 M004/598						
(14)	996 559 334 91	decorative film lateral riviera blue	/R	04-	1 M004/598						
15	996 559 335 90	decorative film rear guards red	/L	04-	1 M004/597						
(15)	996 559 336 90	decorative film rear guards red	/R	04-	1 M004/597						
15	996 559 335 91	decorative film rear riviera blue	/L	04-	1 M004/598						
(15)	996 559 336 91	decorative film rear riviera blue	/R	04-	1 M004/598						

PORSCHE

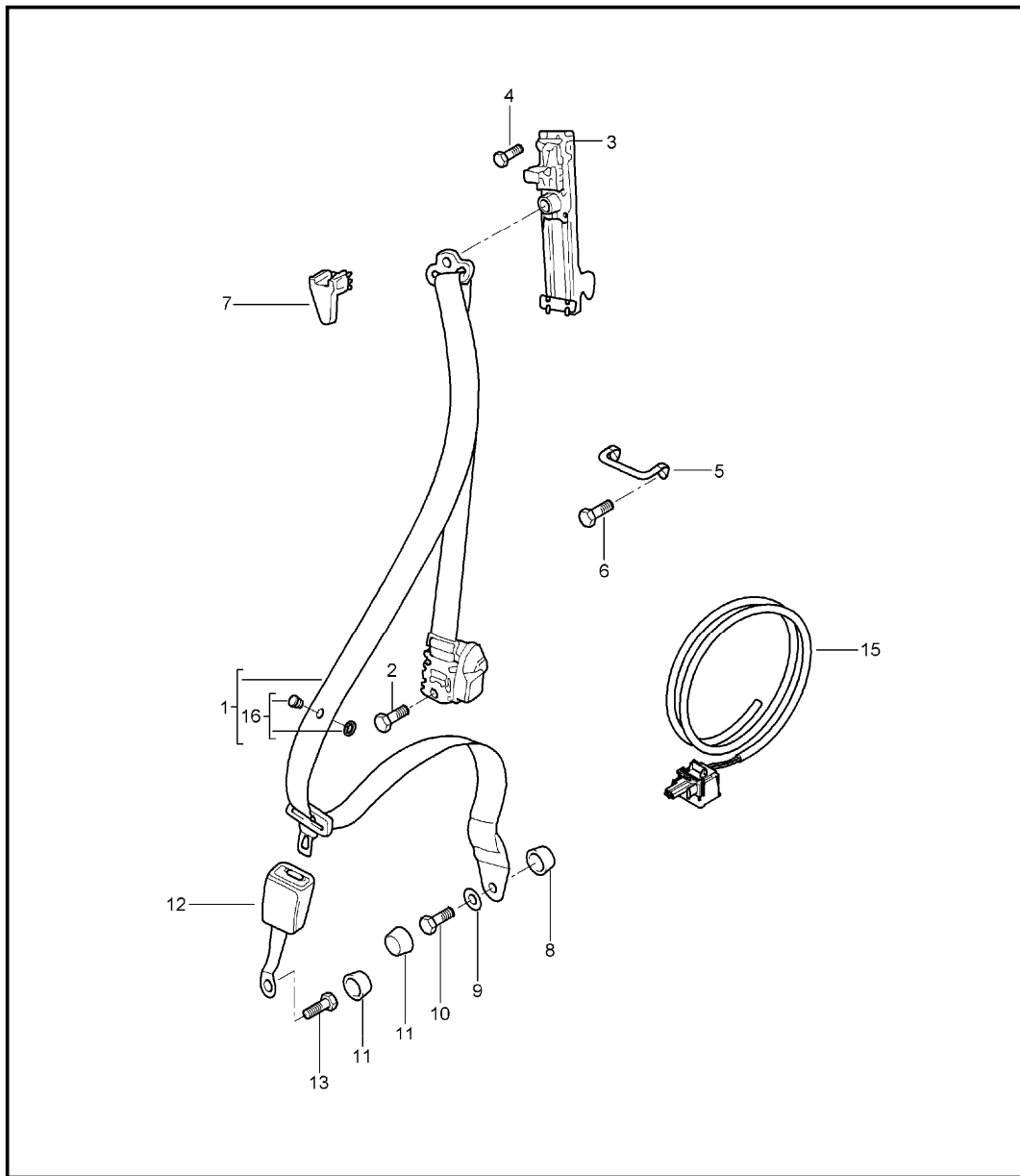
PET

PORSCHE

Model	Year	MG	SG	Illustration	Restrictions	UPD	19:44	26.01.2010
GT3-1	2005	8	10	810-05		248		

Pos	Part Number	Description	Remark	Qty	Model
		sill cover	01-		IXAA
1	996 559 983 02	sill cover	/L -02	1	
	G2X	prime coated			
(1)	996 559 984 02	sill cover	/R -02	1	
	G2X	prime coated			
1	996 559 983 03	sill cover	/L 03-	1	
	G2X	prime coated			
(1)	996 559 984 03	sill cover	/R 03-	1	
	G2X	prime coated			
3	996 559 985 01	adhesive film	/L -02	1	
(3)	996 559 986 01	adhesive film	/R -02	1	
(3)	986 559 990 02	adhesive film	03-	2	
5	999 507 640 09	u-clamp		18	
6	999 073 231 09	tapping screw ST 4,8 X 16		20	
6	999 073 061 02	tapping screw 4,8 X 16		2	
7	000 044 000 37	adhesive set		1	

Model	Year	MG	SG	Illustration	Restrictions	UPD	19:44	26.01.2010	PORSCHE	PET	PORSCHE
GT3-1	2005	8	12	812-00		248					

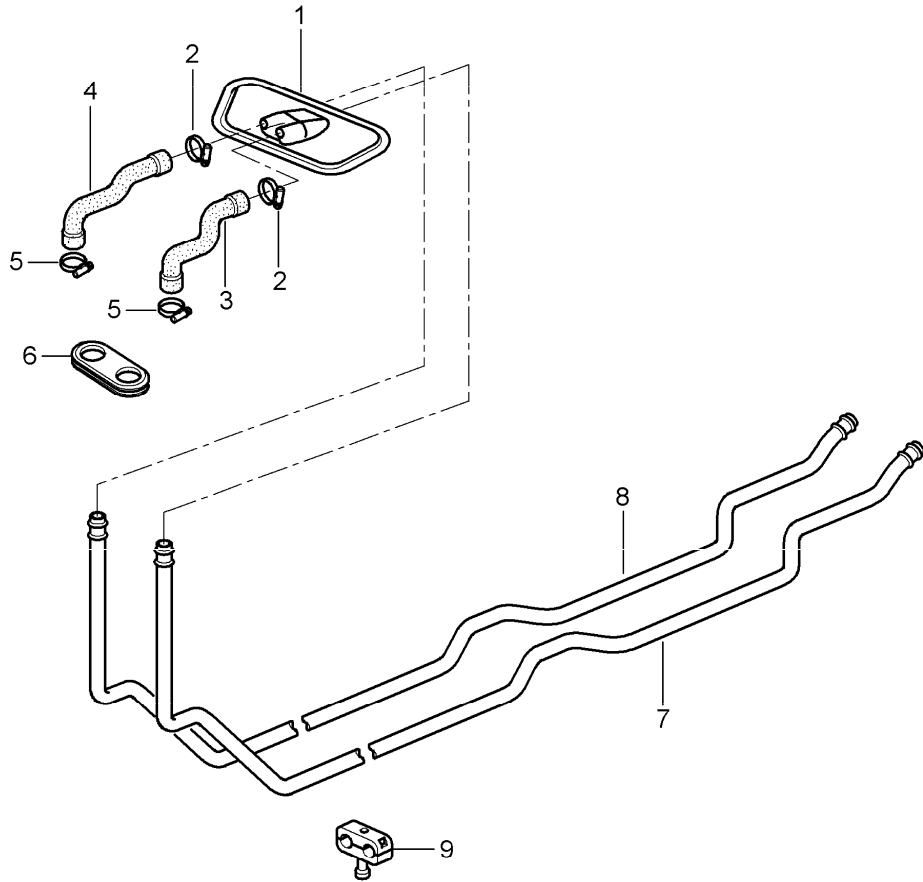


Pos	Part Number	Description	Remark	Qty	Model
1	996 803 033 90	seat belt roll cage			
		seat belt	/L	-01	1
		H03 maritime blue			
		N13 guards red			
		V02 speed yellow			
(1)	996 803 034 90	seat belt	/R	-01	1
		H03 maritime blue			
		N13 guards red			
		V02 speed yellow			
(1)	996 803 981 04	seat belt	/L	02-	1
		V02 speed yellow			
		H03 maritime blue			
		N13 guards red			
(1)	996 803 982 06	seat belt	/R	02-	1
		V02 speed yellow			
		H03 maritime blue			
		N13 guards red			
(1)	996 803 033 04	seat belt black	/L	-01	1
(1)	996 803 033 02	seat belt black	/L	02-	1
(1)	996 803 034 08	seat belt black	/R	-01	1
(1)	996 803 034 04	seat belt black	/R	02-	1
(1)	996 803 033 91	seat belt riviera blue	/L	04-	1 IXSZ/M004
(1)	996 803 034 91	seat belt riviera blue	/R	04-	1 IXSZ/M004
2	911 803 150 00	fastening screw			2
3	996 803 231 02	height adjustment			2

Model	Year	MG	SG	Illustration	Restrictions	UPD	19:44	26.01.2010	PORSCHE	PET	PORSCHE
GT3-1	2005	8	12	812-00		248					

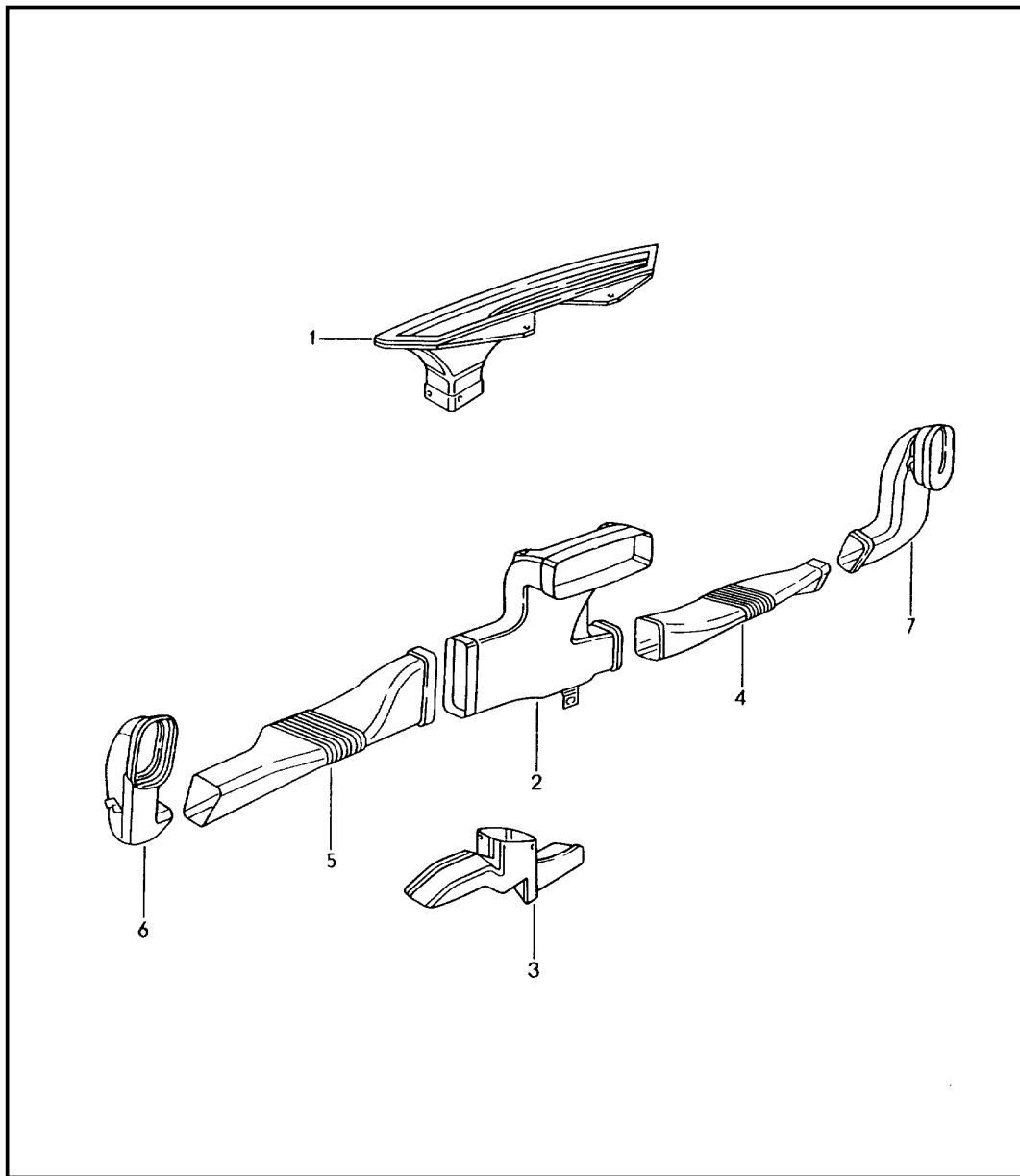
Pos	Part Number	Description	Remark	Qty	Model	Pos	Part Number	Description	Remark	Qty	Model
4	900 067 131 02	pan-head screw		2		--	K 996 580 982 01	roll cage	01-	1	
5	996 803 825 01	relay lever		2		--	K 996 580 982 02	roll cage	04-	1	M004
6	900 378 036 09	hexagon-head bolt		4							
7	996 803 541 00	cover		2							
	01C	black									
8	999 924 064 02	spacer sleeve		2							
9	211 857 771	washer		2							
10	999 075 073 09	screw		2							
11	811 857 845	cap		2							
	01C	black									
12	996 803 183 04	seat-belt buckle driver's side	-01	1							
12	996 803 183 07	seat-belt buckle	02-	1							
12	996 803 183 01	seat-belt buckle	-01	1							
12	996 803 183 08	seat-belt buckle	02-	1							
13	999 218 101 02	fastening screw		2							
15	996 612 991 10	cable driver's side for seat-belt tensioner		X							
15	996 612 991 00	cable passenger's side for seat-belt tensioner		X							
16	955 803 056 00	knob		2							
	HCP	black									
--	K 996 803 037 90	seat belt red 6-point	/L	1	M003						
--	K 996 803 038 90	seat belt 6-point red	/R	1	M003						
--	K 996 803 691 9A	fastening screw		2							
--	K 996 580 982 00	roll cage with installation parts	-00	1							

Model	Year	MG	SG	Illustration	Restrictions	UPD	19:45	26.01.2010	PORSCHE	PET	PORSCHE
GT3-1	2005	8	13	813-00		248					



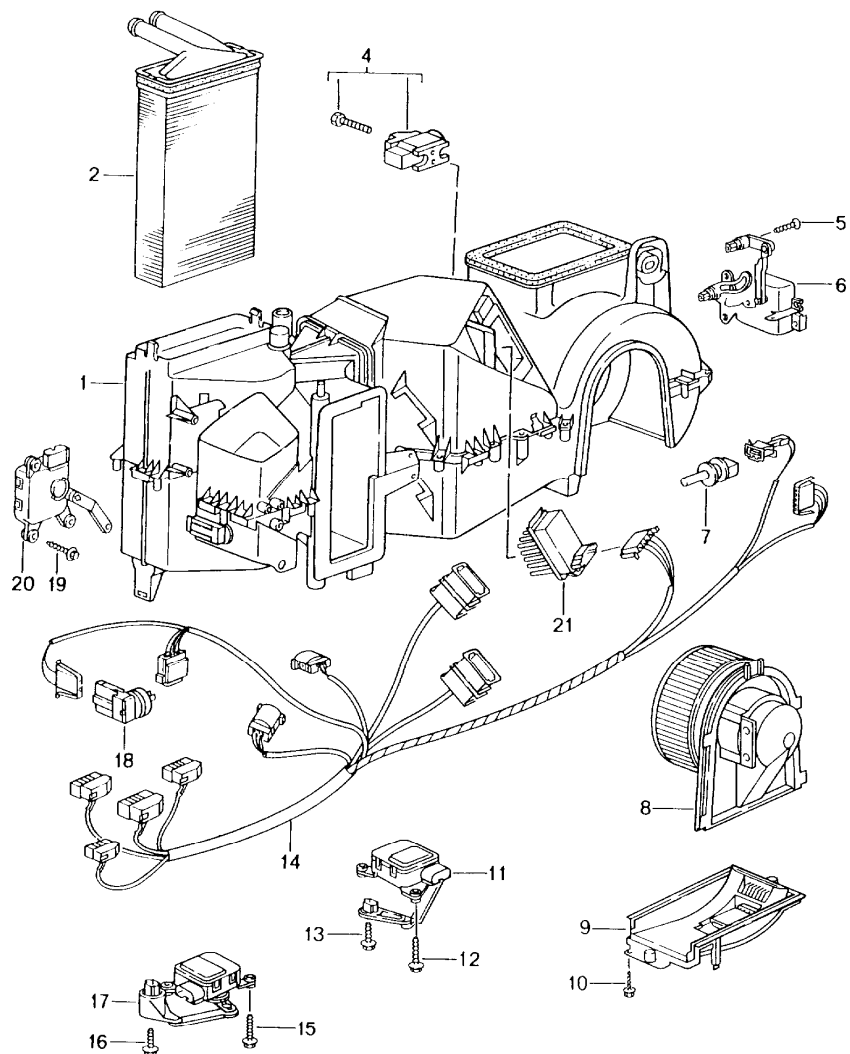
Pos	Part Number	Description	Remark	Qty	Model
		heating system 1 feed line return line			
1	996 572 263 02	gasket	/LL	1	
1	996 572 263 03	gasket	/RL	1	
2	999 512 441 02	hose clamp		1	
3	996 572 585 00	heater hose		1	
(3)	996 572 585 01	heater hose		1	
4	996 572 583 00	heater hose		1	
(4)	996 572 583 01	heater hose		1	
5	999 512 441 02	hose clamp		1	
6	996 572 765 01	grommet		1	
7	996 572 683 04	hot air duct		1	
8	996 572 681 04	hot air duct supply		1	
9	999 511 230 40	cable holder		4	
--	999 511 232 41	rubber mounting		4	

Model	Year	MG	SG	Illustration	Restrictions	UPD	19:45	26.01.2010	PORSCHE	PET	PORSCHE
GT3-1	2005	8	13	813-01		248					



Pos	Part Number	Description	Remark	Qty	Model
		heating air distributor			
1	996 572 631 00	defroster vent	/LL	1	
(1)	996 572 631 01	defroster vent	/RL	1	
2	996 572 171 00	air distributor	/LL -01	1	
2	996 572 171 04	air distributor	/LL 02-	1	
2	996 572 171 05	air distributor	/LL 03-	1	
(2)	996 572 171 01	air distributor	/RL -01	1	
(2)	996 572 171 05	air distributor	/RL 02-	1	
3	996 572 793 02	footwell outlet vent	/LL	1	
3	996 572 793 04	footwell outlet vent	/LL	1	M680
(3)	996 572 793 01	footwell outlet vent	/RL -02	1	
(3)	996 572 793 05	footwell outlet vent	/RL 03-	1	
(3)	996 572 793 06	footwell outlet vent	/RL 03-	1	M680
4	996 572 464 02	air duct	/LL /R	1	
4	996 572 464 00	air duct	/RL /R-	1	
5	996 572 463 00	air duct	/LL /L	1	
5	996 572 463 02	air duct	/RL /L	1	
6	996 572 767 00	air duct	/LL /L	1	
6	996 572 767 01	air duct	/RL /L	1	
7	996 572 768 00	air duct	/RL /R	1	
(7)	996 572 768 01	air duct	/LL /R	1	

Model	Year	MG	SG	Illustration	Restrictions	UPD	19:45	26.01.2010	PORSCHE	PET	PORSCHE
GT3-1	2005	8	13	813-05		248					

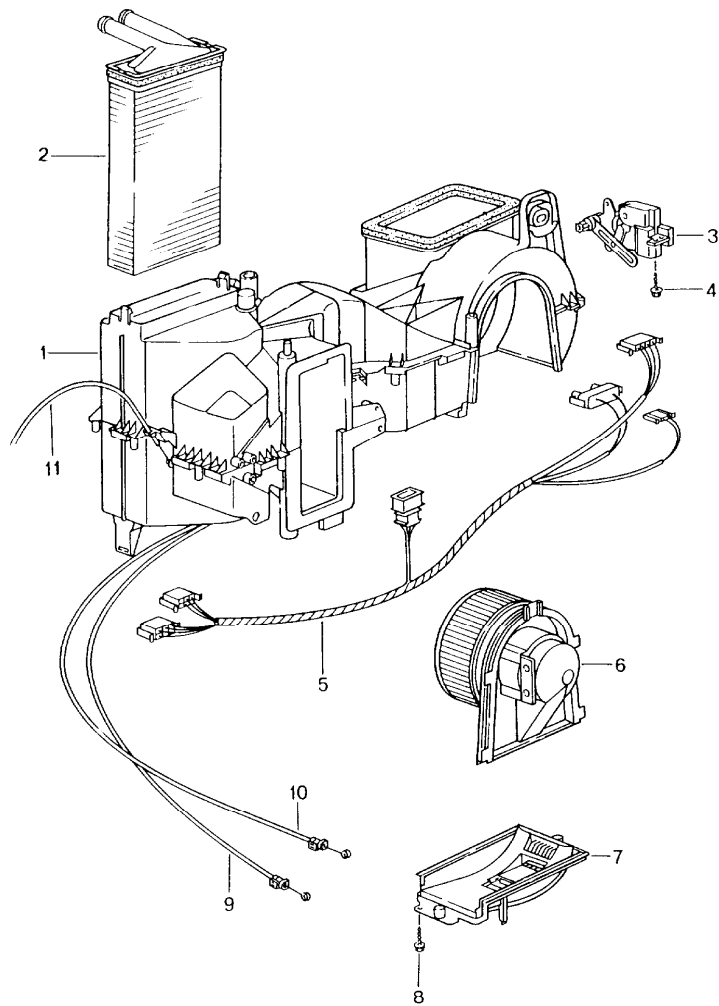


Pos	Part Number	Description	Remark	Qty	Model
		air conditioner single parts			M573
1	996 573 901 02	air conditioner	/LL	1	
1	996 573 901 01	air conditioner without heat exchanger with evaporator	/RL	1	
2	996 572 129 00	heat exchanger		1	
4	996 573 929 01	expansion valve		1	
5	900 143 102 02	tapping screw		2	
6	996 573 915 00	electric motor central valve	/LL	1	
6	996 573 915 01	electric motor central valve	/RL	1	
7	1J0 907 543 B	temperature sensor		1	
8	996 624 107 01	blower	/LL	1	
8	996 624 108 01	blower	/RL	1	
9	996 573 905 00	lid		1	
10	900 143 102 02	hexagon-head bolt		1	
11	996 573 919 00	electric motor temperature valve	/LL	1	
(11)	996 573 919 01	electric motor temperature valve	/RL	1	
12	900 143 102 02	hexagon-head bolt		1	
13	900 143 102 02	hexagon-head bolt		1	
14	996 622 047 00	wiring harness	/LL	1	
(14)	996 622 048 00	wiring harness	/RL	1	
15	900 143 102 02	hexagon-head bolt		1	
16	900 143 102 02	hexagon-head bolt		1	
17	996 573 917 00	electric motor defroster flap	/LL	1	
(17)	996 573 917 01	electric motor defroster flap	/RL	1	

Model	Year	MG	SG	Illustration	Restrictions	UPD	19:45	26.01.2010	PORSCHE	PET	PORSCHE
GT3-1	2005	8	13	813-05		248					

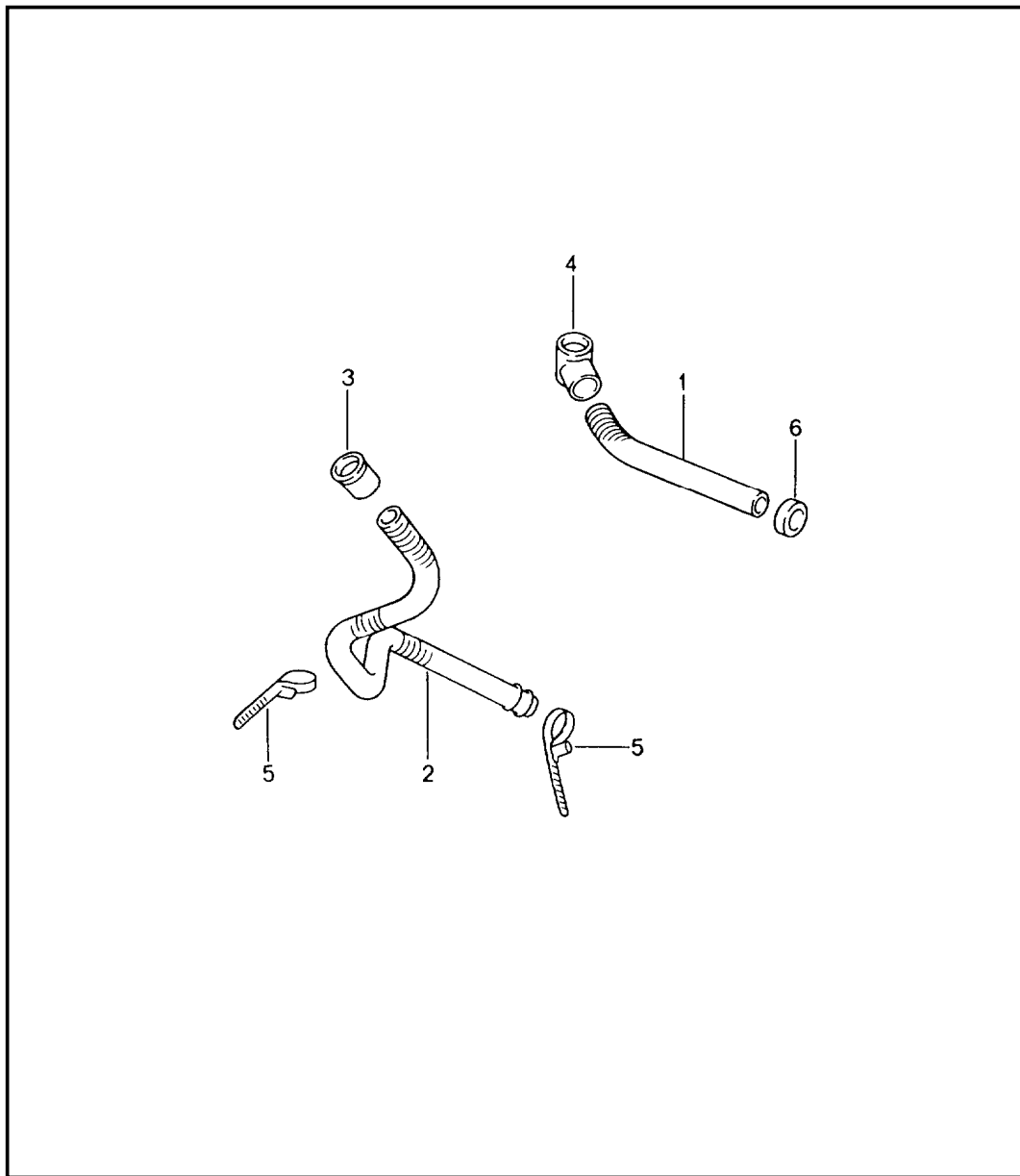
Pos	Part Number	Description	Remark	Qty	Model	Pos	Part Number	Description	Remark	Qty	Model
(17)	996 573 917 03	electric motor defroster flap		1							
18	1H0 907 543 A	temperature sensor		1							
19	900 143 102 02	hexagon-head bolt		1							
20	996 573 921 00	electric motor air flow sensor plate	/LL	1							
(20)	996 573 921 01	electric motor air flow sensor plate	/RL	1							
21	996 573 923 00	resistor		1							
--	996 573 925 00	intake air temper. sensor		1							
--	996 573 927 00	blower outlet sensor		1							
--	996 572 511 02	sound absorber	/LL	-02	1						
--	996 572 511 04	sound absorber	/LL	03-	1						
--	996 572 511 03	sound absorber	/RL	-02	1						
--	996 572 511 05	sound absorber	/RL	03-	1						

Model	Year	MG	SG	Illustration	Restrictions	UPD	19:45	26.01.2010	PORSCHE	PET	PORSCHE
GT3-1	2005	8	13	813-06		248					



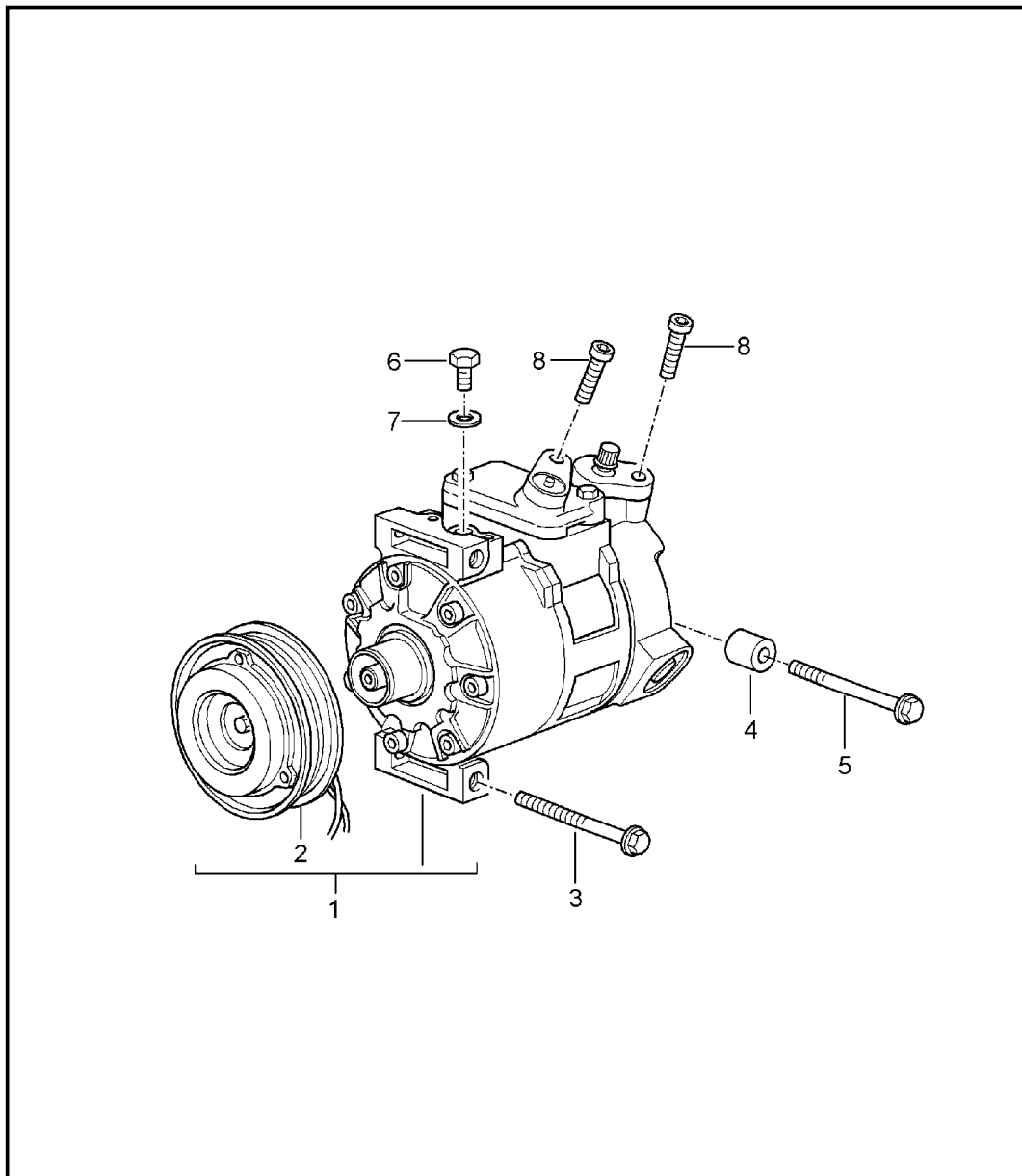
Pos	Part Number	Description	Remark	Qty	Model
		heater single parts			
1	996 572 901 00	housing	/LL	1	
(1)	996 572 901 01	housing	/RL	1	
2	996 572 129 00	heat exchanger		1	
3	996 572 915 00	electric motor		1	
4	999 919 049 02	tapping screw		1	
5	996 612 045 01	wiring harness	/LL	1	
(5)	996 612 046 01	wiring harness	/RL	1	
6	996 624 107 01	blower	/LL	1	
(6)	996 624 108 01	blower	/RL	1	
7	996 572 905 00	lid with resistor		1	
8	999 919 049 02	tapping screw		2	
9	996 572 605 00	traction defroster	/LL	1	
9	996 572 605 01	traction defroster	/RL	1	
10	996 572 607 00	traction temperature valve	/LL	1	
10	996 572 607 01	traction temperature valve	/RL	1	
11	996 572 601 00	traction central valve	/LL	1	
11	996 572 601 01	traction central valve	/RL	1	
--	477 819 343	clamp		3	

Model	Year	MG	SG	Illustration	Restrictions	UPD	19:45	26.01.2010	PORSCHE	PET	PORSCHE
GT3-1	2005	8	13	813-10		248					



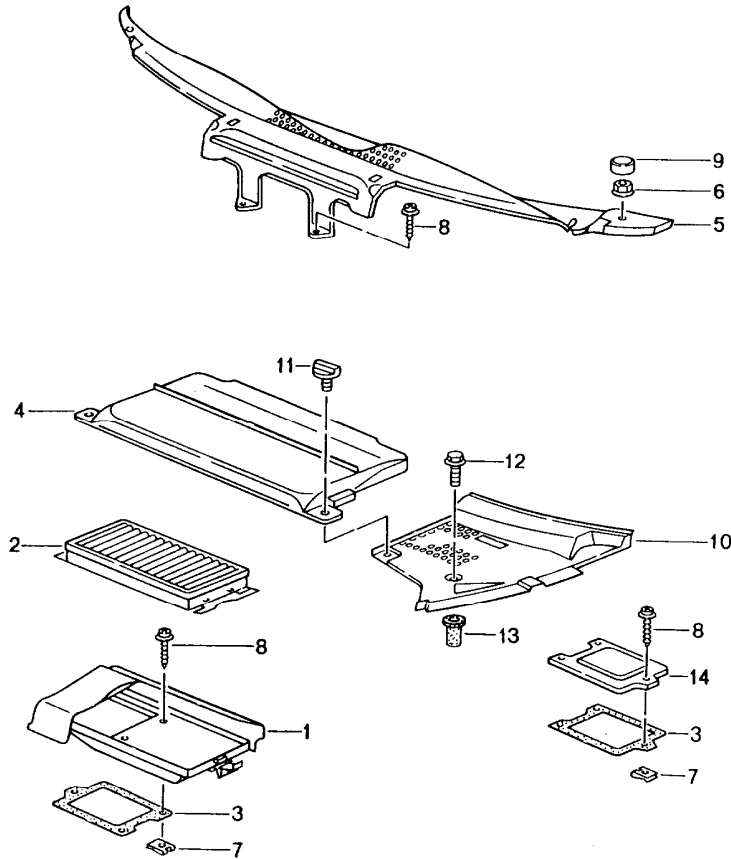
Pos	Part Number	Description	Remark	Qty	Model
		water drain tube mount sound absorber heater air conditioner			
1	996 504 643 00	water drain tube		1	
2	996 504 644 00	water drain tube		1	
3	996 504 645 00	grommet		1	
4	996 504 646 00	grommet		1	
5	999 513 049 40	tie-wrap		1	
6	999 702 156 40	grommet		1	
--	996 573 797 02	connecting piece		1	
--	996 573 795 01	grommet		1	
--	996 573 793 01	water drain tube		1	
--	996 573 794 01	water drain tube		1	

Model	Year	MG	SG	Illustration	Restrictions	UPD	19:46	26.01.2010	PORSCHE	PET	PORSCHE
GT3-1	2005	8	13	813-15		248					



Pos	Part Number	Description	Remark	Qty	Model
		compressor			
1	> 996 126 011 52	compressor		1	
2	996 573 926 00	magnetic clutch		1	
3	900 378 075 09	hexagon-head bolt M 8X90		1	
4	996 126 102 71	spacer sleeve		1	
5	900 378 136 09	hexagon-head bolt M 8X120		1	
6	996 573 926 01	hexagon-head bolt		1	
7	996 573 926 02	sealing ring		1	
8	900 067 252 02	hexagon socket head bolt		2	

Model	Year	MG	SG	Illustration	Restrictions	UPD	19:46	26.01.2010	PORSCHE	PET	PORSCHE
GT3-1	2005	8	13	813-20		248					

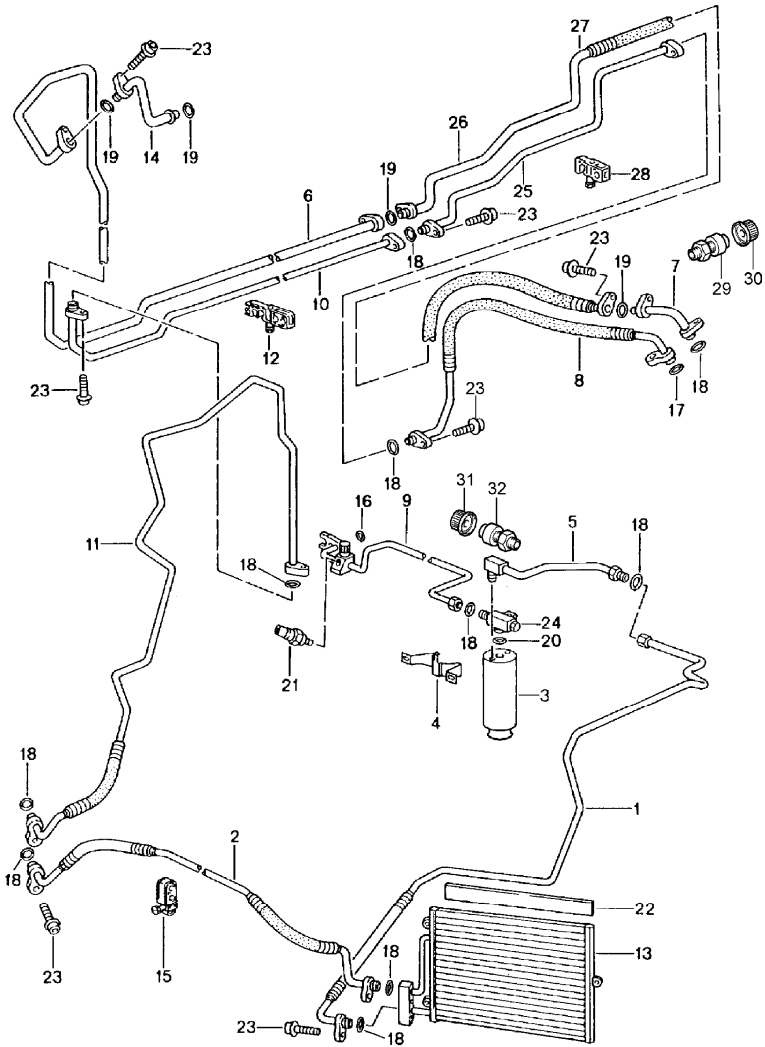


Pos	Part Number	Description	Remark	Qty	Model
		particle filter cowl panel covering			
1	996 572 019 02	housing	/LL	1	
1	996 572 019 03	housing	/RL	1	
2	996 572 219 02	particle filter		1	
2	996 571 219 03	particle filter		1	M571
3	996 572 221 01	gasket		1	
4	996 572 729 00	cover	/LL	1	
(4)	996 572 729 02	cover	/RL	1	
5	996 572 563 06	cowl panel covering	/LL	1	
	01C	black			
		use also:			
-	996 572 931 00	gasket		1	
5	996 572 563 03	cowl panel covering	/RL	-00	1
	01C	black			
5	996 572 563 07	cowl panel covering	/RL	01-	1
	01C	black			
		use also:			
-	996 572 931 00	gasket		1	
6	999 049 008 40	plastic nut		2	
7	999 591 722 02	speed nut		3	
8	999 073 142 09	combination tapping screw		3	
(9)	996 572 569 01	cap	/L	1	
	01C	black			
(9)	996 572 570 01	cap	/R	1	
	01C	black			
10	996 572 561 01	cover	/L	1	
	01C	black			
(10)	996 572 562 01	cover	/R	1	

Model	Year	MG	SG	Illustration	Restrictions	UPD	19:46	26.01.2010	PORSCHE	PET	PORSCHE
GT3-1	2005	8	13	813-20		248					

Pos	Part Number	Description	Remark	Qty	Model	Pos	Part Number	Description	Remark	Qty	Model
	01C	black									
11	999 590 045 40	screw plug		X							
12	999 073 143 09	oval-head screw		2							
13	999 500 092 00	nut		2							
14	996 572 719 01	lid	-02	2							
14	996 572 719 02	lid	04	2							

Model	Year	MG	SG	Illustration	Restrictions	UPD	19:46	26.01.2010	PORSCHE	PET	PORSCHE
GT3-1	2005	8	13	813-25		248					

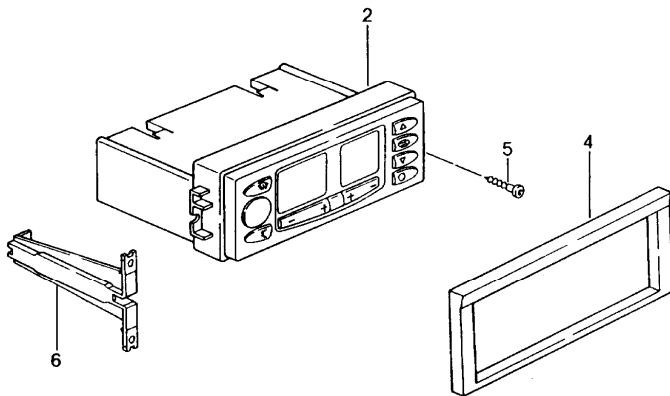
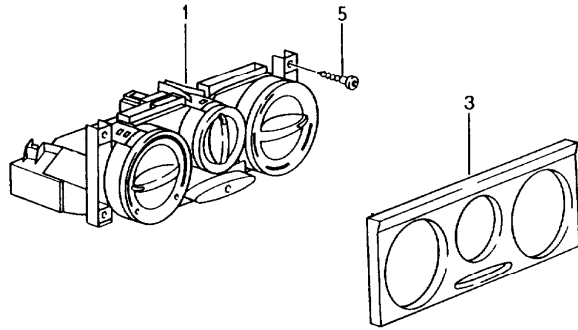


Pos	Part Number	Description	Remark	Qty	Model
		refrigerant circuit			
1	996 573 105 03	refrigerant line		1	
2	996 573 104 02	refrigerant line		1	
3	944 573 143 01	desiccator		1	
4	996 573 451 00	support		1	
5	996 573 106 00	refrigerant line		1	
6	996 573 091 01	refrigerant line		1	
7	996 573 099 90	refrigerant line		1	
8	996 573 097 03	refrigerant line		1	
9	996 573 108 01	pressure line	/RL	1	
(9)	996 573 108 03	pressure line	/LL	1	
10	996 573 092 01	pressure line		1	
11	996 573 094 02	refrigerant line		1	
12	996 347 543 00	cable holder		2	
13	996 573 111 00	condenser		2	
14	996 573 093 02	intake pipe	/LL	1	
14	996 573 093 03	intake pipe	/RL	1	
15	996 347 543 00	cable holder		1	
16	999 707 247 40	o-ring 7,5X2		2	
17	999 707 382 40	o-ring 23,8X2,4		8	
18	999 707 250 40	o-ring 10,6X2		8	
19	999 707 252 40	o-ring 17X2		3	
20	999 707 262 40	o-ring 6,7X1,8		X	
21	964 613 137 01	pressure switch		1	
22	996 573 711 00	cover strip		2	
23	900 067 247 02	combination screw		X	

Model	Year	MG	SG	Illustration	Restrictions	UPD	19:46	26.01.2010	PORSCHE	PET	PORSCHE
GT3-1	2005	8	13	813-25		248					

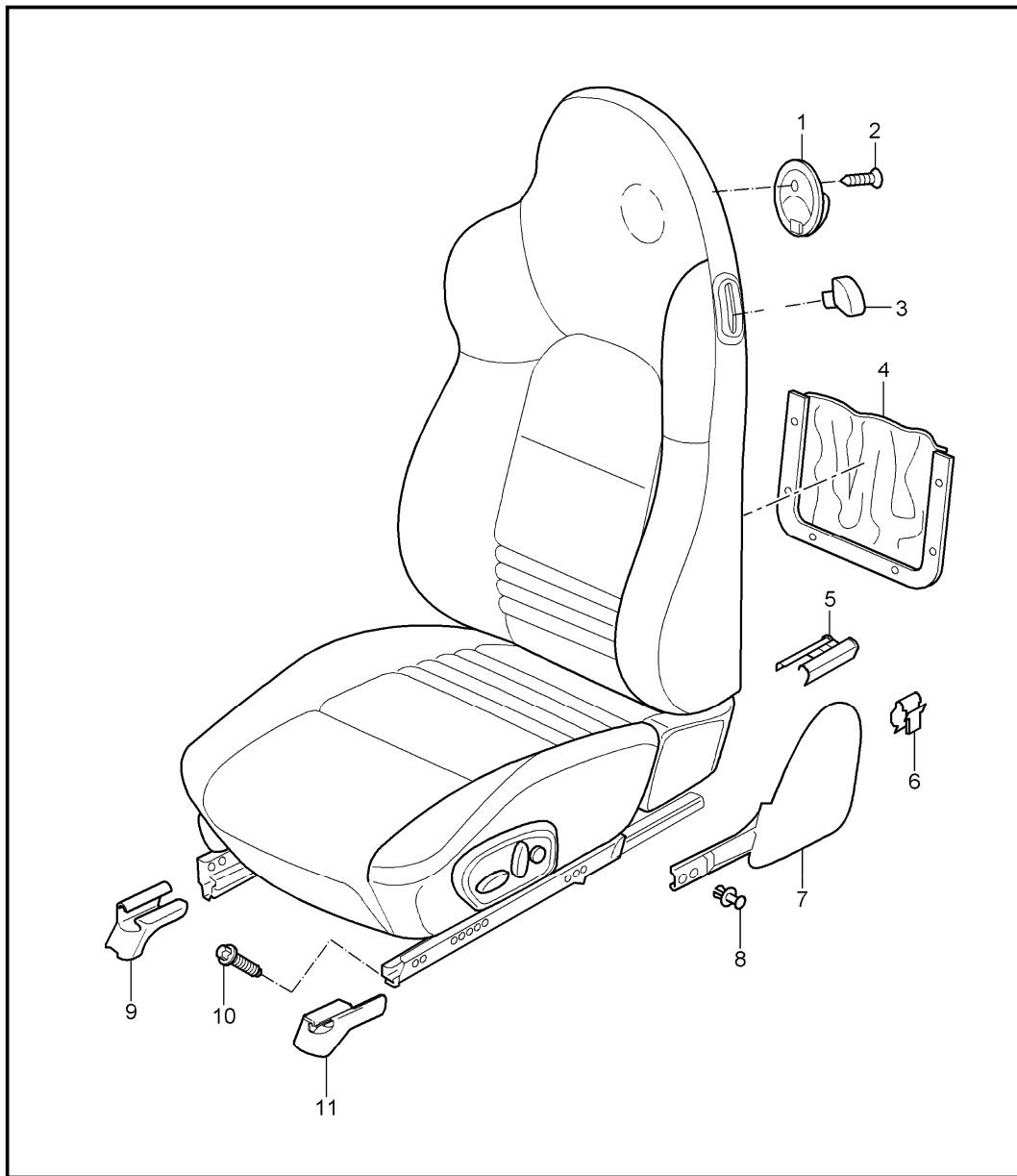
Pos	Part Number	Description	Remark	Qty	Model	Pos	Part Number	Description	Remark	Qty	Model
24	993 573 243 00	distributing piece		1							
25	996 573 096 03	pressure line		1							
26	996 573 095 90	intake pipe		1							
28	999 511 230 40	cable holder use also:		X							
--	999 511 231 41	rubber mounting		X							
29	996 573 465 00	valve		1							
30	944 573 663 01	valve cap		1							
31	944 573 663 02	valve cap		1							
32	996 573 466 00	valve		1							

Model	Year	MG	SG	Illustration	Restrictions	UPD	19:46	26.01.2010	PORSCHE	PET	PORSCHE
GT3-1	2005	8	13	813-45		248					



Pos	Part Number	Description	Remark	Qty	Model
		control switch			
1	996 572 101 00	control part	-01	1	
	01C	black			
1	996 572 101 01	control part	02-	1	
	01C	black			
-	900 631 132 90	bulb		1	
2	996 653 101 03	control part	-00	1	M573
	EFR	black			
2	996 653 101 07	control part	01-	1	
	EFR	black			
3	996 552 153 01	cover		1	
	01C	black			
4	996 552 677 00	cover		1	M573
	01C	black			
(4)	996 552 339 00	cover		1	/662 M573
	01C	black			
--	191 853 615 A	grommet for POS.4		X	
5	900 143 076 09	tapping screw		X	
6	996 573 501 00	adapter		2	M573

Model	Year	MG	SG	Illustration	Restrictions	UPD	19:46	26.01.2010	PORSCHE	PET	PORSCHE
GT3-1	2005	8	17	817-20		248					

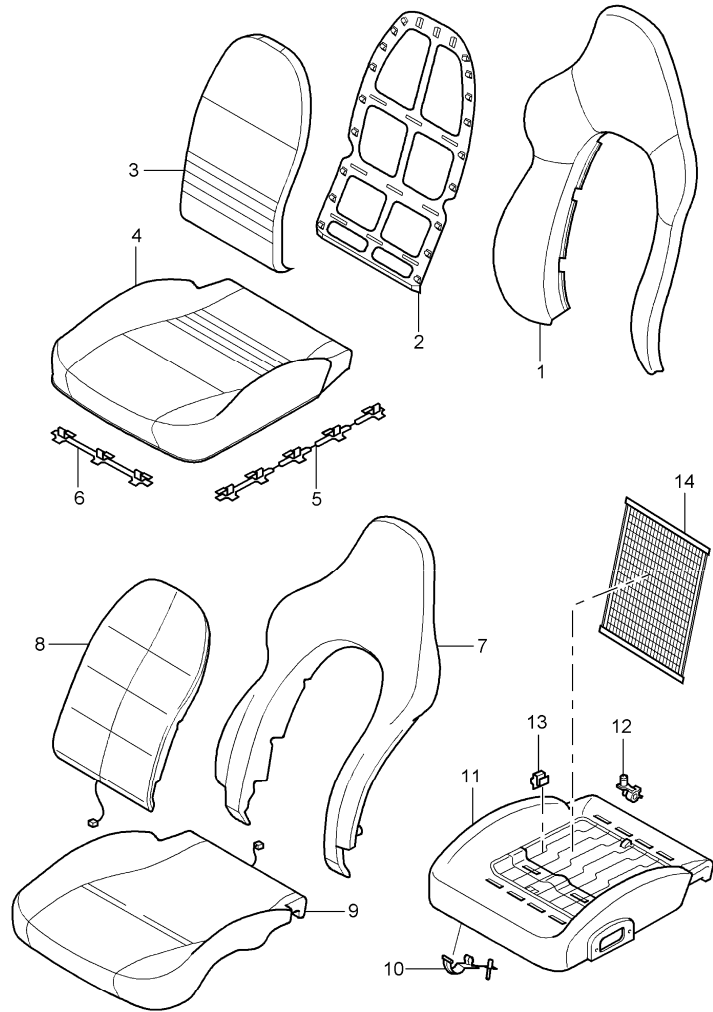


Pos	Part Number	Description	Remark	Qty	Model
		sports seat			GT3
		sports seat complete not available			
(1)	996 521 781 00	crest	-00	2	
1	996 521 373 00	coat hook	01-	2	
	A03	black			
(2)	999 919 183 09	oval-head screw crest	-00	2	
		M 3,5 X 25			
2	999 919 199 09	countersunk-head screw coat hook	00-	2	
		M 5,0 X 25			
3	996 521 321 01	control button	/L	98	2
(3)	996 521 421 00	control button	/L	99-	2
(3)	996 521 322 01	control button	/R	98	2
(3)	996 521 422 00	control button	/R	99-	2
4	996 521 313 01	bag leather		2	M983
		8YR			
5	996 521 357 00	cover rear	/L	-99	2
		01C			
(5)	996 521 358 00	cover rear	/R	-99	2
		01C			
6	999 507 592 01	cable clamp cover		2	
		1,0 - 6,0			
7	996 521 315 01	cap	/L	1	
		A03			
(7)	996 521 316 01	cap	/R	1	
		A03			
8	999 507 599 40	expansion rivet		2	
		10			

Model	Year	MG	SG	Illustration	Restrictions	UPD	19:46	26.01.2010	PORSCHE	PET	PORSCHE
GT3-1	2005	8	17	817-20		248					

Pos	Part Number	Description	Remark	Qty	Model	Pos	Part Number	Description	Remark	Qty	Model
9	A 996 521 362 00	cover seat rail inner	/L	-00	1						
	01C	satin black									
(9)	996 521 362 01	cover seat rail inner	/L	01-	1						
	01C	satin black									
(9)	A 996 521 361 00	cover seat rail inner	/R	-00	1						
	01C	satin black									
(9)	996 521 361 01	cover seat rail inner	/R	01-	1						
	01C	satin black									
10	999 141 039 07	screw seat rail M 10 X 28		03-	8	IXSE/XSF					
						M369/370					
11	A 996 521 360 00	cover outer	/R	-00	1						
	01C	satin black									
11	996 521 360 01	cover outer	/R	01-	1						
	01C	satin black									
(11)	A 996 521 359 00	cover outer	/L	-00	1						
	01C	satin black									
(11)	996 521 359 01	cover outer	/L	01-	1						
	01C	satin black									

Model	Year	MG	SG	Illustration	Restrictions	UPD	19:46	26.01.2010	PORSCHE	PET	PORSCHE
GT3-1	2005	8	17	817-25		248					

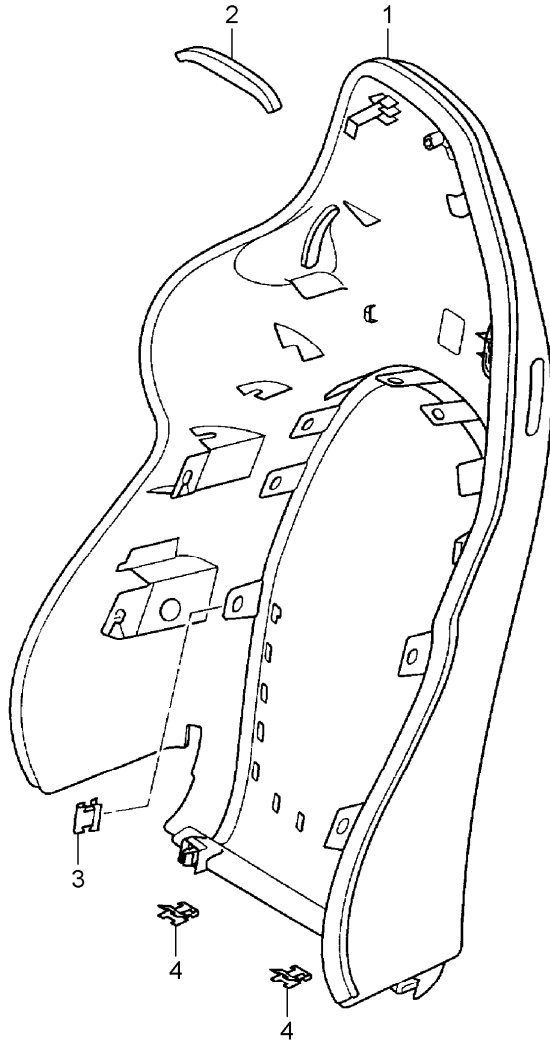


Pos	Part Number	Description	Remark	Qty	Model
		cover foam part sports seat			GT3
1	996 521 993 02	backrest cover with porsche crest outer part leather	99-	2	IXSC/M983
		ETO black			
		T11 brown/natural			
		D11 dark grey/natural			
1	996 521 155 04	backrest cover outer part leather	-01	2	M983
		8YR black			
(1)	996 521 155 05	cover backrest outer part leather	02-	2	IXSU/M983
		ERZ black			
		VRA dark grey/natural			
		VRB brown/natural			
(1)	996 521 155 06	cover backrest outer part leather	01-	2	M983
		ERZ black			
		VRA dark grey/natural			
		VRB brown/natural			
2	996 521 551 00	frame	-00	2	
2	996 521 551 01	frame backrest cushion cover centre	01-	2	
3	996 521 151 01	backrest cushion cover leather	-00	2	M983
		8YR black			

Model	Year	MG	SG	Illustration	Restrictions	UPD	19:46	26.01.2010	PORSCHE	PET	PORSCHE
GT3-1	2005	8	17	817-25		248					

Pos	Part Number	Description	Remark	Qty	Model	Pos	Part Number	Description	Remark	Qty	Model
(3)	996 521 151 05	backrest cushion cover leather	01-	2	M983	8	996 521 531 00	foam part backrest cushion without heating		2	
	ETO	black									
(3)	996 521 151 07	cover	03-	2	IXSU/M983	(8)	996 521 537 00	foam part backrest cushion without heating	02-	2	IXSU
	ETO	black									
	D11	dark grey/natural				(9)	996 521 521 04	foam part seat cushion without heating	-00	2	
	T11	brown/natural									
4	996 521 165 02	seat cover leather		2	M983	(9)	996 521 571 01	foam part seat cushion without heating	01-	2	
	EAF	black				(9)	996 521 523 01	foam part seat cushion without heating	02-	2	IXSU
(4)	996 521 165 04	cover seat cushion leather without heating	01-	2		10	996 521 597 00	clip cushion carrier		8	
	ERZ	black				(10)	996 521 937 00	clip cushion carrier	01-	10	
(4)	996 521 165 05	cover seat cushion	02-	2	IXSU/M983	11	996 521 509 00	cushion carrier seat cushion	-00	2	
	ERZ	black				(11)	996 521 505 00	cushion carrier seat cushion	01-	2	
	VRA	dark grey/natural									
	VRB	brown/natural				12	999 507 506 40	cable holder 5,0		1	
5	996 521 543 00	clamp cover seat cushion lengthways	-00	4		13	999 651 314 01	cable clamp 3,0 - 4,0		8	M002
6	996 521 541 00	clamp cover seat cushion transverse	-00	6		14	996 521 507 01	mat seat cushion cushion carrier		1	
7	996 521 535 01	foam part	98	2							
(7)	996 521 535 02	foam part	99	2							
(7)	996 521 535 03	foam part backrest frame	00-	2							
(7)	996 521 535 05	foam part backrest outer part	02-	2	IXSU						

Model	Year	MG	SG	Illustration	Restrictions	UPD	19:47	26.01.2010	PORSCHE	PET	PORSCHE
GT3-1	2005	8	17	817-30		248					

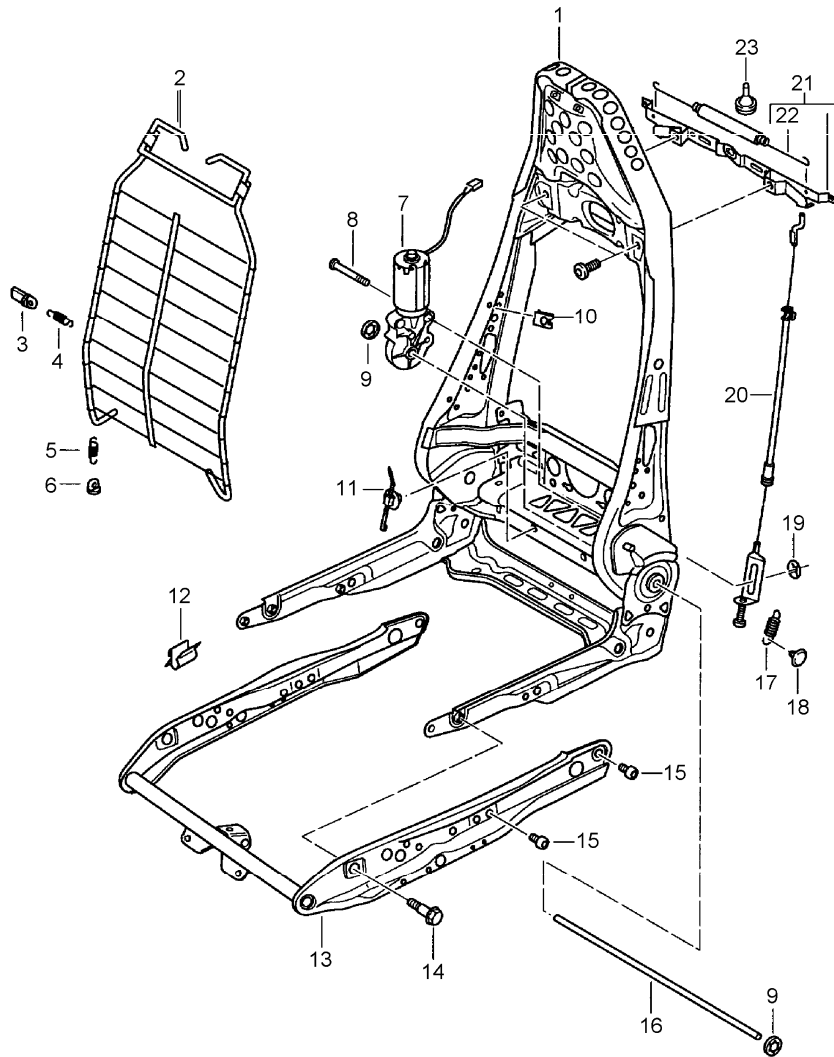


Pos	Part Number	Description	Remark	Qty	Model
		backrest shell sports seat			GT3
(1)	996 521 083 06	backrest shell lacquered	-01	2	
	A03	black			
(1)	986 521 303 11	backrest shell sports seat	01-	1	M375/376
	A03	black			
(1)	996 521 992 02	backrest shell sports seat lacquered	00-	2	IXSA
	80K	guards red			
	747	black			
	9A3	biarritz white			
	12G	speed yellow			
	92T	arctic silver metallic			
	746	black			
	2A2	rainforest green metallic			
	1A9	zanzibar red			
	8A4	orient red metallic			
	6A7	meridian metallic			
	6B5	seal grey metallic			
	3A9	lapis blue metallic			
	92E	polar silver metallic			
	37U	cobalt blue metallic			
	22E	forest green metallic			
	22D	slate grey metallic			
	37W	midnight blue metallic			
	347	dark blue			
	23I	wimbledon green metallic			
	39G	violet metallic			

Model	Year	MG	SG	Illustration	Restrictions	UPD	19:47	26.01.2010	PORSCHE	PET	PORSCHE
GT3-1	2005	8	17	817-30		248					

Pos	Part Number	Description	Remark	Qty	Model	Pos	Part Number	Description	Remark	Qty	Model
(1)	986 521 987 03	backrest shell sports seat	01-	2	IXSB						
	A11	black									
(1)	996 521 987 03	cover sports seat	-01	2	IXSB						
	A11	black									
(1)	996 521 992 06	backrest shell sports seat lacquered aluminium coloured	04	2	IXCG						
	V03	sport silver									
2	996 521 885 00	foam part		2							
3	999 507 594 01	u-clamp mount backrest cover 1,0 - 2,0		14							
4	311 881 247	clamp mount cover centre part		2							

Model	Year	MG	SG	Illustration	Restrictions	UPD	19:47	26.01.2010	PORSCHE	PET	PORSCHE
GT3-1	2005	8	17	817-40		248					

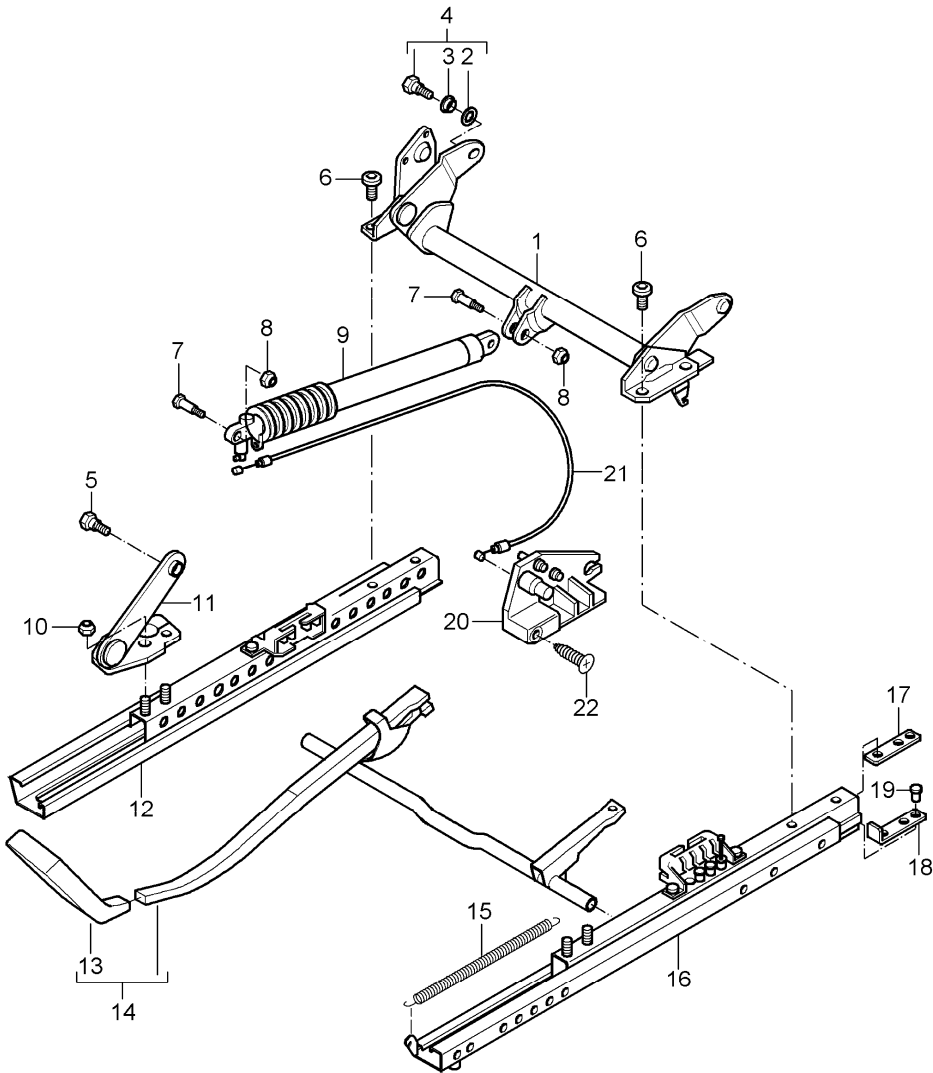


Pos	Part Number	Description	Remark	Qty	Model
		backrest frame seat frame sports seat			GT3
1	996 521 329 01	backrest frame		2	
2	996 521 355 01	mat		2	
3	996 521 367 00	support spring centre		8	
4	996 521 333 00	spring centre		8	
5	996 521 331 01	spring lower		4	
6	996 521 365 00	support spring lower		4	
7	996 624 321 00	engine for backrest adjustment		2	M002
8	999 073 141 02	oval-head screw M 6 X 42,5		2	M002
9	999 507 597 01	clamping washer 10,0		4	
10	999 507 598 02	speed nut M 5		8	
11	999 513 063 40	cable holder 12,0 - 35		4	
12	999 651 313 07	cable clamp 6,0		2	M002
13	996 521 227 00	seat frame		1	
14	996 521 681 01	bearing pin complete		1	
15	999 141 027 02	oval-head screw M 8 X 10		8	
16	996 521 343 01	drive shaft for backrest adjustment		2	
17	999 522 032 00	tension spring 0,7 X 7,5 X 15		4	
18	999 703 474 40	stopper		4	

Model	Year	MG	SG	Illustration	Restrictions	UPD	19:47	26.01.2010	PORSCHE	PET	PORSCHE
GT3-1	2005	8	17	817-40		248					

Pos	Part Number	Description	Remark	Qty	Model	Pos	Part Number	Description	Remark	Qty	Model
19	N 900 114 02	clamping washer 4		4							
20	996 521 185 00	cable		4							
21	996 521 175 00	backrest locking lever		2							
22	996 521 195 00	clutch power spring		2							
23	996 521 403 00	rubber buffer		2							

Model	Year	MG	SG	Illustration	Restrictions	UPD	19:47	26.01.2010	PORSCHE	PET	PORSCHE
GT3-1	2005	8	17	817-45		248					

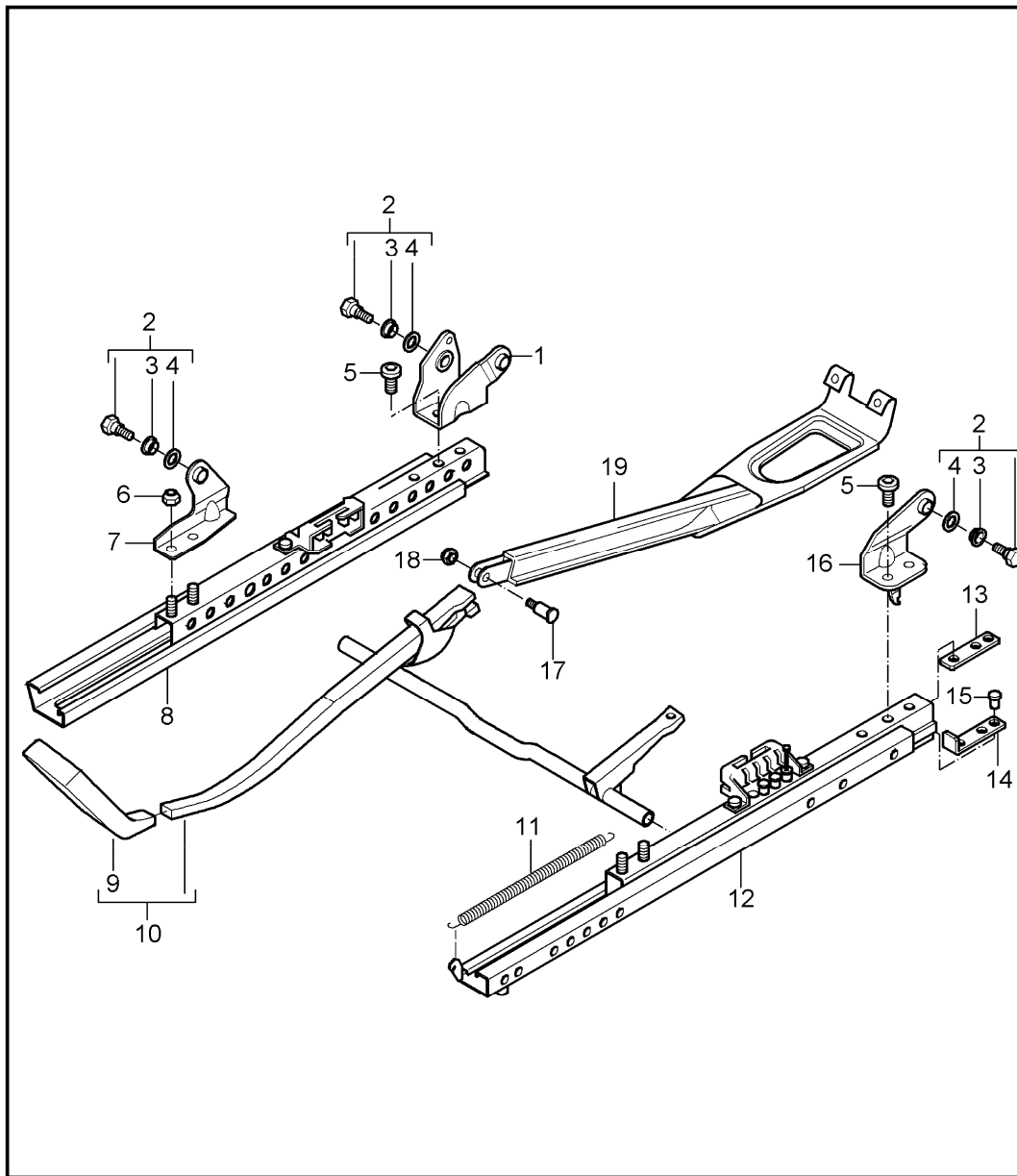


Pos	Part Number	Description	Remark	Qty	Model
		seat adjuster sports seat with height adjustment			GT3
1	996 521 641 00	pipe rear	/L	1	M375
(1)	996 521 642 00	pipe rear	/R	1	M376
3	999 209 051 00	spacer sleeve 12,4 x 2,8		2	
4	996 521 259 02	screw complete	/H	4	M539/540
5	996 521 681 00	bearing pin seat frame	/V	4	
6	986 521 659 00	screw adapter		8	
7	999 311 008 01	square screw mount gas-pressure spring M 5 X 23,6		2	
8	986 521 687 00	nut mount gas-pressure spring		2	
9	996 521 615 01	gas-pressure spring		1	M539/540
10	900 910 003 07	hexagon nut adapter M 8		8	
(11)	986 521 679 00	adapter seat frame front	/L	2	M375/376
11	986 521 680 00	adapter seat frame front	/R	2	M375/376
12	996 521 692 01	seat rail inner	/R	1	M375
(12)	996 521 691 01	seat rail inner	/L	1	M376
13	996 521 617 01	handle	/L	1	M375
(13)	996 521 618 01	handle	/R	1	M376

Model	Year	MG	SG	Illustration	Restrictions	UPD	19:47	26.01.2010	PORSCHE	PET	PORSCHE
GT3-1	2005	8	17	817-45		248					

Pos	Part Number	Description	Remark	Qty	Model	Pos	Part Number	Description	Remark	Qty	Model
14	996 521 621 01	lever complete	/L	1	M375						
(14)	996 521 622 01	lever complete	/R	1	M376						
15	996 521 645 00	clutch power spring		2							
16	996 521 689 01	seat rail outer	/L	1	M375						
(16)	996 521 690 01	seat rail outer	/R	1	M376						
17	986 521 643 00	threaded plate		4							
(18)	996 521 603 01	stop short		4							
19	996 521 601 00	fixing clip stop		4							
20	996 521 675 00	adjusting mechanism	/L	1	M539						
(20)	996 521 676 00	adjusting mechanism	/R	1	M540						
21	986 521 683 00	bowden cable		2	M539/540						
22	999 919 180 07	countersunk-head screw M 5 X 18		2							

Model	Year	MG	SG	Illustration	Restrictions	UPD	19:47	26.01.2010	PORSCHE	PET	PORSCHE
GT3-1	2005	8	17	817-50		248					

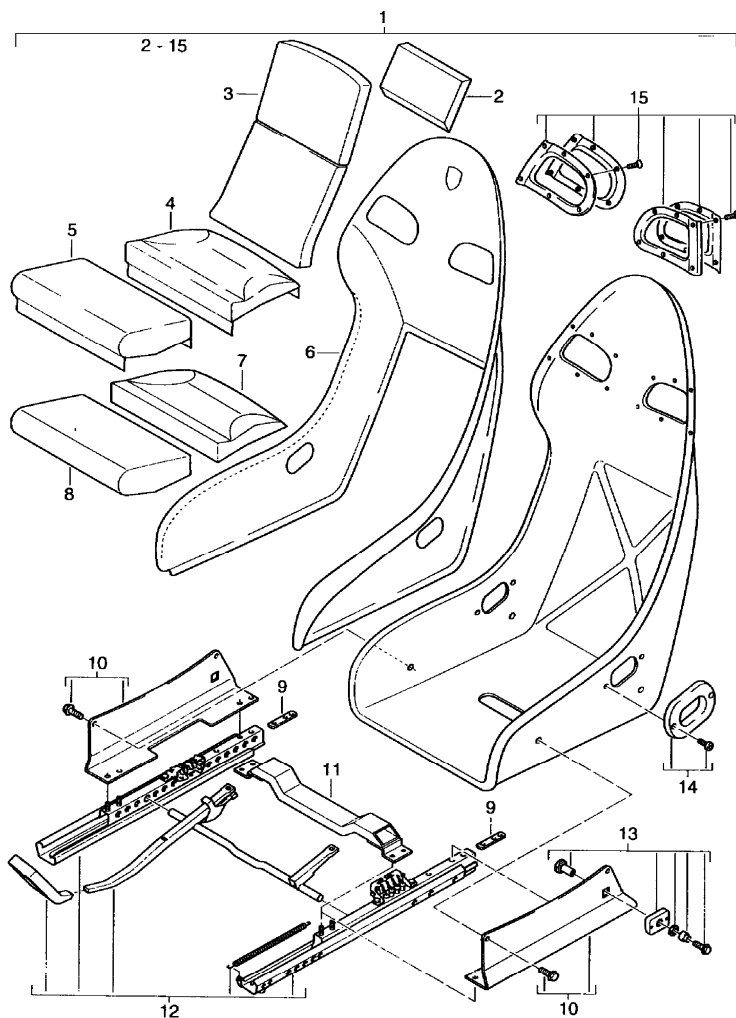


Pos	Part Number	Description	Remark	Qty	Model
		seat adjuster sports seat without height adjustment			GT3
1	986 521 640 00	adapter mounting seat-belt buckle inner rear		1	M376
2	996 521 259 02	screw adapter seat-belt buckle inner rear		8	
3	999 924 156 00	bush F12 X 14 X 6,5		4	
4	999 209 051 00	spacer sleeve 12,4 X 2,8		2	
5	986 521 659 00	screw adapter seat-belt buckle		8	
6	900 910 003 07	hexagon nut M 8 adapter		8	
(7)	986 521 679 00	adapter seat frame front	/L	1	
7	986 521 680 00	adapter seat frame front	/R	1	
8	996 521 692 01	seat rail inner	/R	1	M375
(8)	996 521 691 01	seat rail inner	/L	1	M376
9	996 521 617 01	handle seat adjuster	/L	1	M375
(9)	996 521 618 01	handle seat adjuster	/R	1	M376
10	996 521 621 01	lever seat adjuster complete	/L	1	M375
(10)	996 521 622 01	lever seat adjuster complete	/R	1	M376

Model	Year	MG	SG	Illustration	Restrictions	UPD	19:47	26.01.2010	PORSCHE	PET	PORSCHE
GT3-1	2005	8	17	817-50		248					

Pos	Part Number	Description	Remark	Qty	Model	Pos	Part Number	Description	Remark	Qty	Model
11	996 521 645 00	clutch power spring		2	M375/376						
12	996 521 689 01	seat rail outer	/L	1	M375						
(12)	996 521 690 01	seat rail outer	/R	1	M376						
13	986 521 643 00	threaded plate		4	M375/376						
14	996 521 603 01	stop		4	M375/376						
15	996 521 601 00	fixing clip stop		4	M375/376						
16	986 521 690 00	adapter seat frame rear outer	/R	1	M376						
17	999 311 008 01	square screw M 5 X 23,6		1							
18	986 521 687 00	nut		1							
19	986 521 667 00	seat adjuster guard		1							
21	996 521 665 00	stop seat		1							

Model	Year	MG	SG	Illustration	Restrictions	UPD	19:47	26.01.2010	PORSCHE	PET	PORSCHE
GT3-1	2005	8	17	817-90		248					

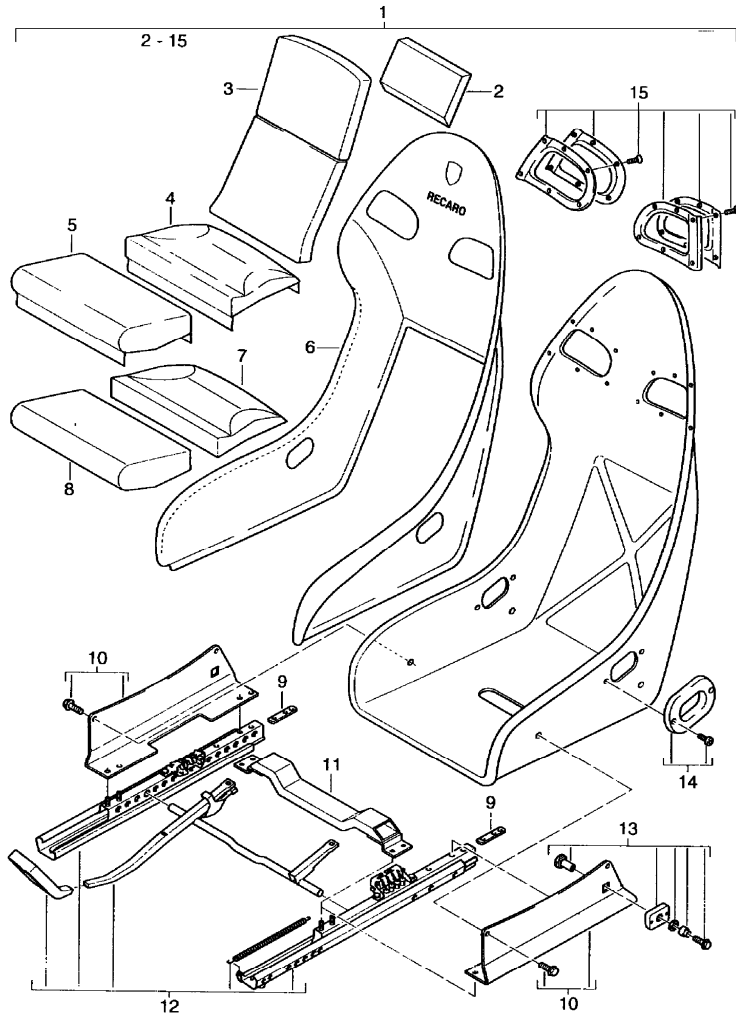


Pos	Part Number	Description	Remark	Qty	Model
		bucket seat cover perlon velour			GT3
1	996 521 985 00	bucket seat cloth	/LL/L	1	IXSE/M990
(1)	996 521 986 00	bucket seat cloth	/LL/R	1	IXSF/M990
(1)	996 521 985 02	bucket seat perlon velour	/RL/L	1	IXSE/M990
(1)	996 521 986 02	bucket seat perlon velour	/RL/R	1	IXSF/M990
(1)	996 521 985 04	bucket seat cloth	/LL/L	1	IXSE/M003/M990
(1)	996 521 986 04	bucket seat cloth	/LL/R	1	IXSF/M003/M990
(1)	996 521 985 05	bucket seat cloth	/RL/L	1	IXSE/M003/M990
(1)	996 521 986 05	bucket seat cloth	/RL/R	1	IXSF/M003/M990
(1)	996 521 985 06	bucket seat	/LL	1	IXSS/M990
(1)	996 521 985 08	bucket seat	/RL	1	IXSS/M990
(1)	996 521 985 07	bucket seat ERZ black	/LL	1	IXSS/M983
(1)	996 521 985 09	bucket seat ERZ black	/RL	1	IXSS/M983
(1)	996 521 985 10	bucket seat	/LL	1	IXSS/M003/M990
(1)	996 521 985 11	bucket seat	/RL	1	IXSS/M003/M990
(1)	996 521 986 06	bucket seat cloth	/LL	1	IXSR/M990
(1)	996 521 986 08	bucket seat cloth	/RL	1	IXSR/M990
(1)	996 521 986 07	bucket seat	/LL	1	IXSR/M983

Model	Year	MG	SG	Illustration	Restrictions	UPD	19:47	26.01.2010	PORSCHE	PET	PORSCHE
GT3-1	2005	8	17	817-90		248					

Pos	Part Number	Description	Remark	Qty	Model	Pos	Part Number	Description	Remark	Qty	Model
(1)	996 521 986 09	ERZ black bucket seat	/RL	1	IXSR/M983	(10)	996 521 924 90	parts kit adapter seat rail	/R	2	IXSF/XSR
(1)	996 521 986 10	ERZ black bucket seat	/LL	1	IXSR/M003/ M990	(10)	996 521 923 91	adapter seat rail with bores seat	/LL -03	2	IXSG
(1)	996 521 986 11	bucket seat	/RL	1	IXSR/M003/ M990	(10)	996 521 923 92	adapter seat rail without bores seat	/LL -03	2	IXSG
2	996 521 911 90	lumbar support	/L/R	2	IXSE/XSF						
3	996 521 913 90	backrest cushion	/L/R	2	IXSE/XSF/ M990	(10)	996 521 923 93	adapter	/LL -03	2	IXSG
4	996 521 915 90	perlon velour black cover for cushion	/L/R	2	IXSE/XSF/ M990	(10)	996 521 923 95	adapter seat rail	/LL 04-	2	IXSG
5	996 521 919 90	seat cushion rear cover for cushion	/L/R	2	IXSE/XSF/ M990	11	996 521 933 90	cross member 6-point seat belt		X	M003
6	996 521 988 00	seat cushion front perlon velour black outer lining perlon velour black	/L/R	2	M990	12	996 521 929 90	parts kit seat rail	/L	1	
7	996 521 917 90	foam part	/L/R	2	IXSE/XSF/XSG IXSR/XSS	(12)	996 521 930 90	parts kit seat rail	/R	1	
8	996 521 921 90	seat cushion rear foam part	/L/R	2	IXSE/XSF/XSG IXSR/XSS	(13)	996 521 925 90	set of fastening parts seat-belt buckle inner		2	
9	996 521 931 90	stop short	/L/R	2	IXSE/XSF/XSG IXSR/XSS	13	996 521 927 90	set of fastening parts seat-belt buckle outer		2	
(9)	996 521 603 01	stop short		2	M375/376	14	996 521 907 90	parts kit rosette belt lower		2	
10	996 521 923 90	parts kit adapter	/L	2	IXSE/XSS	15	996 521 905 90	parts kit rosette belt upper		2	

Model	Year	MG	SG	Illustration	Restrictions	UPD	19:48	26.01.2010	PORSCHE	PET	PORSCHE
GT3-1	2005	8	17	817-95		248					



Pos	Part Number	Description	Remark	Qty	Model
		bucket seat with whole-leather cover			GT3
1	996 521 985 01	bucket seat leather	/LL/L	1	IXSE/M983
	ERZ	black			
(1)	996 521 986 01	bucket seat leather	/LL/R	1	IXSF/M983
	ERZ	black			
(1)	996 521 985 03	bucket seat leather	/RL/L	1	IXSE/M983
	ERZ	black			
(1)	996 521 986 03	bucket seat leather	/RL/R	1	IXSF/M983
	ERZ	black			
2	996 521 911 90	lumbar support	/L/R	2	IXSE/XSF IXSG/XSR/XSS
3	996 521 989 00	backrest cushion	/L/R	2	IXSE/XSF/XSR
	B50	space grey			
	C50	graphite grey			
	D11	dark grey/natural			
	ERZ	black			
	G10	metropole blue			
	J30	nephrite green			
	M30	boxster red			
	P11	cinnamon brown			
	S30	savanna			
	T11	brown/natural			
	8YR	black			
4	996 521 990 00	cover for cushion seat cushion rear	/L/R	2	IXSE/XSF/XSR IXSS/M983
	B50	space grey			

Model	Year	MG	SG	Illustration	Restrictions	UPD	19:48	26.01.2010	PORSCHE	PET	PORSCHE
GT3-1	2005	8	17	817-95		248					

Pos	Part Number	Description	Remark	Qty	Model	Pos	Part Number	Description	Remark	Qty	Model
	C50	graphite grey				8	996 521 921 90	foam part seat cushion front	/L/R	2	IXSE/XSF IXSG/XSR/XSS
	D11	dark grey/natural									
	ERZ	black				9	996 521 931 90	stop	/L/R	2	IXSE/XSF IXSG/XSR/XSS
	G10	metropole blue				(9)	996 521 603 01	stop short	/L/R	2	M375/376
	J30	nephrite green									
	M30	boxster red				10	996 521 923 90	parts kit adapter	/L	2	IXSE/XSS
	P11	cinnamon brown				(10)	996 521 924 90	parts kit adapter	/R	2	IXSF/XSR
	S30	savanna				(10)	996 521 923 93	adapter parts kit seat rail left seat	LL	2	
	T11	brown/natural									
	8YR	black									
5	996 521 991 00	cover for cushion seat cushion front	/L/R	2	IXSE/XSF IXSR/XSS M983	11	996 521 933 90	cross member 6-point seat belt seat rail	/LL	1	/M001 IXSG IXSR/XSS
	B50	space grey									
	C50	graphite grey				(11)	996 521 933 90	cross member 6-point seat belt seat rail 6-point seat belt	/L/R	1	IXSE/XSF IXSR/XSS M003
	D11	dark grey/natural									
	ERZ	black									
	G10	metropole blue				12	996 521 929 90	parts kit left seat seat rail		1	IXSE/XSS
	J30	nephrite green									
	M30	boxster red									
	P11	cinnamon brown				(12)	996 521 930 90	6-point seat belt parts kit right seat seat rail		1	IXSR/XSS
	S30	savanna									
	T11	brown/natural				(13)	996 521 925 90	set of fastening parts seat-belt buckle inner		2	
	8YR	black									
6	996 521 988 01	outer lining leather	/L/R	2	IXSE/XSF/XSR IXSS/M983	13	996 521 927 90	set of fastening parts seat-belt buckle outer		2	
	ERZ	black									
7	996 521 917 90	foam part seat cushion rear	/L/R	2	IXSE/XSF IXSG/XSR/XSS	14	996 521 907 90	parts kit rosette belt lower		2	

Model	Year	MG	SG	Illustration	Restrictions	UPD	19:48	26.01.2010	PORSCHE	PET	PORSCHE
GT3-1	2005	8	17	817-95		248					

Pos	Part Number	Description	Remark	Qty	Model	Pos	Part Number	Description	Remark	Qty	Model
15	996 521 905 90	parts kit rosette belt upper	/L/R	2							
10	996 521 923 91	adapter	99-	1							
10	996 521 923 92	adapter	99-	1							

PORSCHE

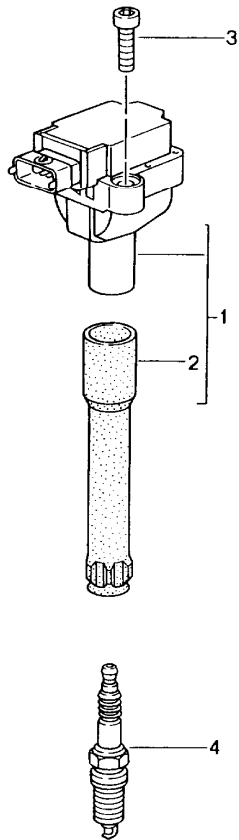
PET

PORSCHE

Model	Year	MG	SG	Illustration	Restrictions	UPD	19:48	26.01.2010
GT3-1	2005	8	98	898-00R		248		

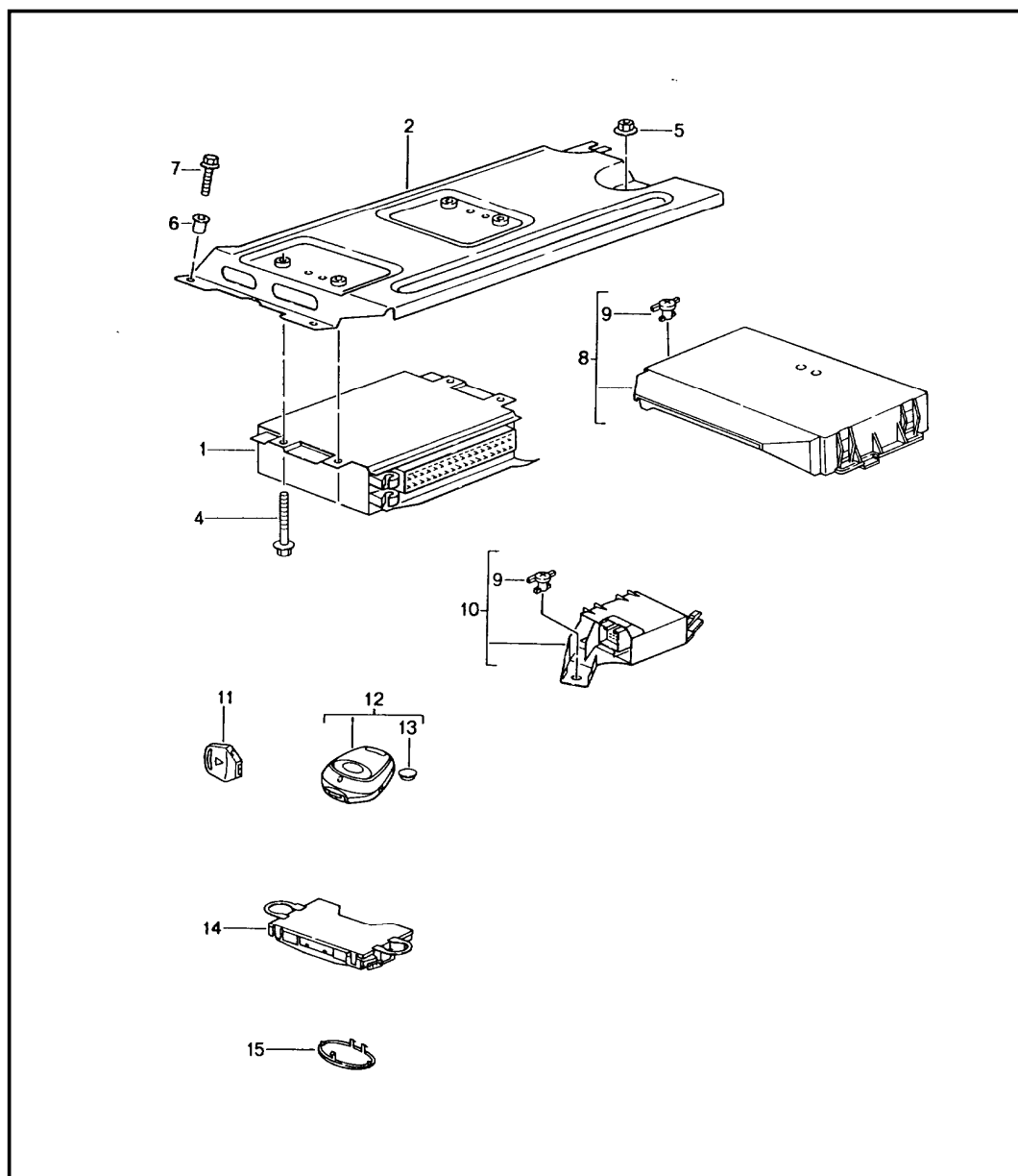
Pos	Part Number	Description	Remark	Qty	Model
		repair kits set of locks			
>>	>>996 538 001 03	set of locks	-01	1	M531/532
>>	>>996 538 001 06	set of locks	02-	1	M531/532
>>	>>996 538 001 04	set of locks	/LL -01	1	M534/535
>>	>>996 538 001 07	set of locks	/LL 02-	1	M534/535
>>	>>996 538 001 05	set of locks	/RL -01	1	M534/535
>>	>>996 538 001 08	set of locks	/RL 02-	1	M534/535

Model	Year	MG	SG	Illustration	Restrictions	UPD	19:48	26.01.2010	PORSCHE	PET	PORSCHE
GT3-1	2005	9	01	901-00		248					



Pos	Part Number	Description	Remark	Qty	Model
		ignition system			
1	W 996 602 101 01	ignition coil		6	
1	A 996 602 104 00	ignition coil		6	
1	997 602 104 00	ignition coil		6	
-	999 652 916 40	connector housing		6	
-	999 650 052 12	connector		18	
-	999 704 161 40	gasket		18	
2	W 996 602 103 01	spark plug connector		6	
2	996 602 105 00	spark plug connector		6	
3	900 067 089 09	pan-head screw M 6 X 25		12	
4	999 170 195 90	spark plug 14FR 6LDU		6	M96.76/79
4	999 170 129 90	spark plug Y 5DDC	04	6	M96.79 M004

Model	Year	MG	SG	Illustration	Restrictions	UPD	19:48	26.01.2010	PORSCHE	PET	PORSCHE
GT3-1	2005	9	01	901-03		248					



Pos	Part Number	Description	Remark	Qty	Model
1	996 618 601 04	control units control unit - dme -	-02	1	
(1)	996 618 604 00	control unit - dme -	04-	1	
2	996 618 129 00	support control unit - dme -	-00	1	
(2)	996 618 129 01	support control unit - dme -	01-	1	
4	900 378 036 01	hexagon-head bolt M 6 X 12		4	
5	999 084 629 01	hexagon nut M 6		1	
6	999 500 078 00	sheetmetal press nut M 6	-00	2	
7	900 075 413 09	combination screw M 6 X 16 Z2	-00	2	
(7)	999 084 629 01	hexagon nut M 6	01-	2	
8	996 618 260 06	control unit immobiliser central locking system alarm system	-00	1	M534
8	996 618 262 02	control unit immobiliser central locking system alarm system	01-	1	M534
-	996 612 034 00	cable antenna for POS. 8	01-	1	M534
8	996 618 260 07	control unit immobiliser central locking system alarm system	-00	1	M535
8	996 618 262 03	control unit immobiliser central locking system alarm system	01-	1	M535

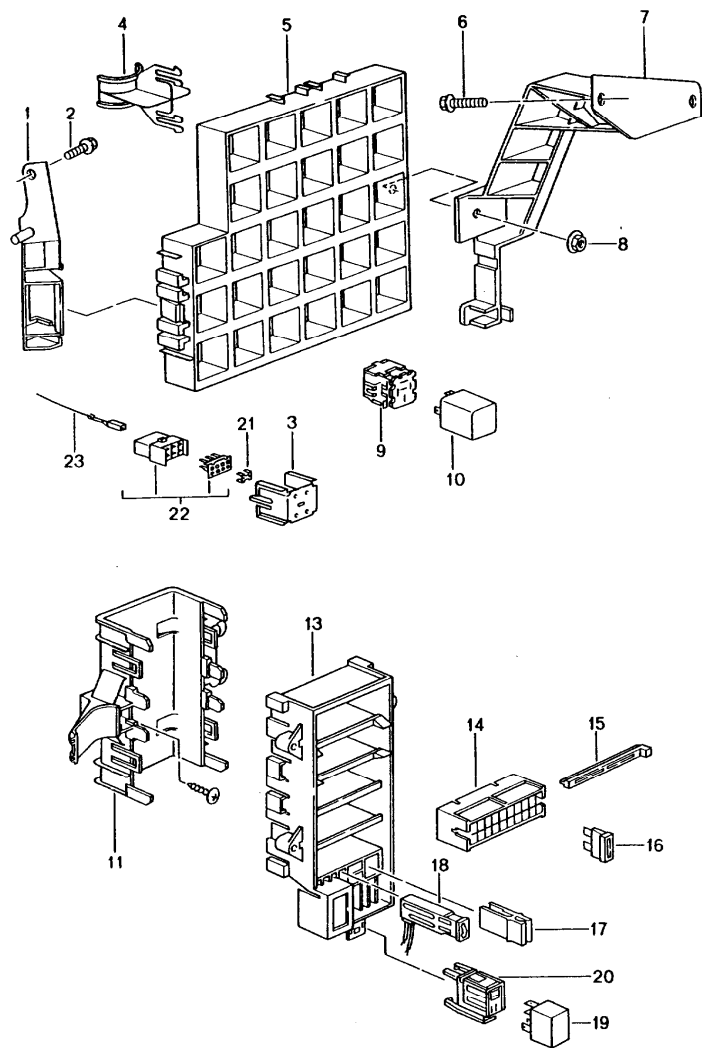
Model	Year	MG	SG	Illustration	Restrictions	UPD	19:48	26.01.2010	PORSCHE	PET	PORSCHE
GT3-1	2005	9	01	901-03		248					

Pos	Part Number	Description	Remark	Qty	Model	Pos	Part Number	Description	Remark	Qty	Model
-	996 612 035 00	cable antenna for POS. 8	01-	1	M535	-	996 637 247 00	Handheld transmitter upper part for 996.637.243.00	-00	1	
-	999 607 064 00	fuse 15 A for POS. 8		X		12 U	996 637 244 30	Handheld transmitter	01-03	1	M534
-	999 507 925 40	fixing clip for wiring harness seat		1		12	996 637 244 40	Handheld transmitter	01-	1	M534
-	999 650 161 40	plug socket for POS. 8		1		-	996 637 353 00	Handheld transmitter upper part for 996.637.244.30/40	01-	1	
-	999 650 099 12	connector		X		12	996 637 243 01	Handheld transmitter	(AUS) -00	1	M535
-	999 650 097 40	cap white		1		-	996 637 247 00	Handheld transmitter upper part for 996.637.243.01	-00	1	
-	999 650 101 40	cap white		1	M534	12 U	996 637 244 36	Handheld transmitter	(AUS) 01-03	1	M535
-	999 650 102 40	cap blue		1	M535	12	996 637 244 42	Handheld transmitter	(AUS) 01-	1	M535
-	999 650 113 40	plug socket 12-pole black		1		-	996 637 353 00	Handheld transmitter upper part for 996.637.244.31/36/42	01-	1	
-	N 903 353 04	connector 2,5		X		12	996 637 243 02	Handheld transmitter	(J) -00	1	
-	N 903 352 04	connector 1,0		X		-	996 637 247 00	Handheld transmitter upper part for 996.637.243.02	-00	1	
9	996 618 261 00	locking device		1		12 U	996 637 244 32	Handheld transmitter	(J) 01-03	1	
10	996 618 159 01	signal transducer		1		12	996 637 244 44	Handheld transmitter	(J) 01-	1	
11	996 637 041 00	key lamp		1	M532	-	996 637 353 00	Handheld transmitter upper part for 996637.244.32/44	01-	1	
-	928 537 630 02	bulb for key lamp		X		-	996 637 443 00	crest coloured for key lamp and Handheld transmitter	02-	1	
12	996 637 243 00	Handheld transmitter	-00	1	M534	13	999 611 108 00	battery		1	M534/535
						14	996 618 210 02	sensor interior monitoring		1	M534/535

Model	Year	MG	SG	Illustration	Restrictions	UPD	19:48	26.01.2010	PORSCHE	PET	PORSCHE
GT3-1	2005	9	01	901-03		248					

Pos	Part Number	Description	Remark	Qty	Model	Pos	Part Number	Description	Remark	Qty	Model
-	999 650 236 40	plug socket		1							
-	999 650 256 22	connector		4							
(15)	996 618 212 02	trim cover		2							

Model	Year	MG	SG	Illustration	Restrictions	UPD	19:48	26.01.2010	PORSCHE	PET	PORSCHE
GT3-1	2005	9	02	902-00		248					

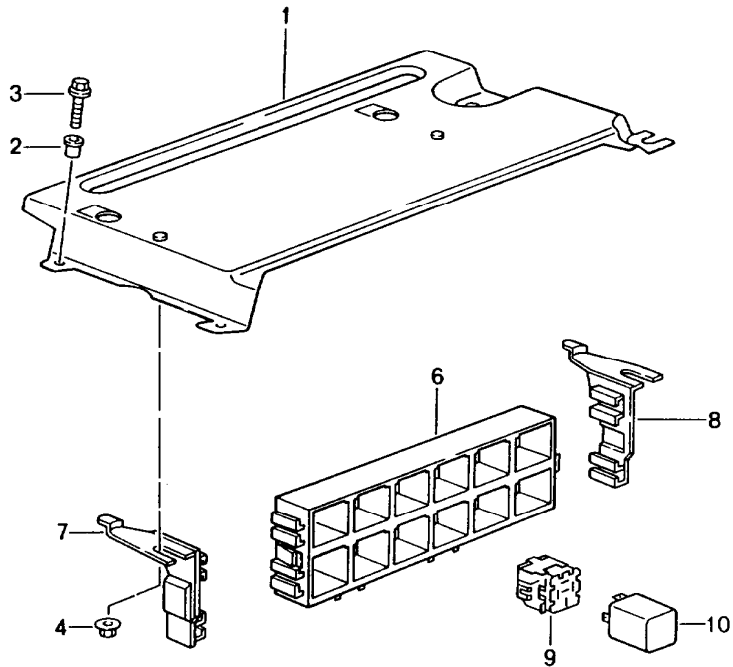


Pos	Part Number	Description	Remark	Qty	Model
		central electrical system dashboard			
1	996 610 117 00	support	/LL/L	1	
(1)	996 610 119 00	support	/RL/L	1	
2	900 378 155 09	hexagon-head bolt M 6 X 16 ASP		1	
3	996 610 104 00	retaining frame		X	
(4)	996 610 115 00	cable holder		X	
5	996 610 109 00	relay carrier support frame		1	
6	900 378 155 09	hexagon-head bolt M 6 X 16 ASP		2	
7	996 610 116 00	support	/LL/R	1	
(7)	996 610 118 00	support	/RL/R	1	
8	900 377 010 01	hexagon nut M 6		1	
9	928 610 511 00	relay carrier		X	
10	-	relay			
S3	1H0 953 227	flasher relay		1	
S4	996 615 117 00	control unit rear window heating		1	
S5	999 657 005 90	relay	-00	1	M618
S6/7	996 615 111 00	relay		1	M606
S8	996 618 113 00	relay headlight washer system	04-	1	M288
S9	141 951 253 B	relay KL. XE		1	
S10	141 951 253 B	relay fanfare		1	
S12	141 951 253 B	relay	(J)	1	
S13	996 615 101 00	relay fuel pump		1	
S16	996 615 103 00	interval relay		1	

Model	Year	MG	SG	Illustration	Restrictions	UPD	19:48	26.01.2010	PORSCHE	PET	PORSCHE
GT3-1	2005	9	02	902-00		248					

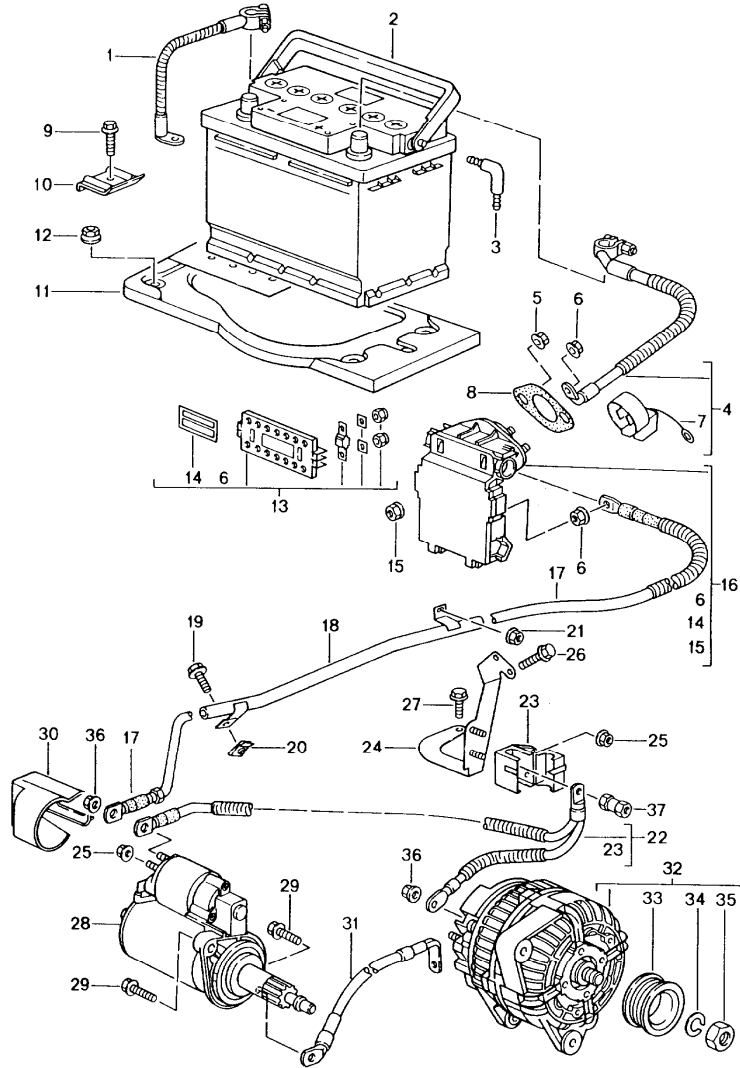
Pos	Part Number	Description	Remark	Qty	Model	Pos	Part Number	Description	Remark	Qty	Model
S18	141 951 253 B	relay heating		1		-	996 610 217 05	assignment sticker fuse	04-	X	M002
S19	141 951 253 B	relay radiator fan 1 setting 1		1		-	996 610 217 95	assignment sticker fuse	-00	X	M003
S20	141 951 253 B	relay radiator fan 1 setting2		1		-	996 610 217 96	assignment sticker fuse emergency operation lid	-02	X	M003
S21	141 951 253 B	relay radiator fan 2 setting 1		1		18	996 610 240 00	terminal clamp	04-	1	
S22	141 951 253 B	relay radiator fan 2 setting2		1		19	999 657 006 90	relay	04-	1	
						20	999 650 538 40	plug socket 5-pole	04-	1	
11	996 610 210 00	lid		1		-	-	cover for housing fuse see group 8 / 07 / 02		X	
13	996 610 211 01	bracket		1							
14	999 650 209 40	fuse holder		X							
15	999 650 210 40	slide		X							
16	999 607 082 00	fuse 5 A		X		21	999 650 319 22	contact bridge 4-pole		X	
16	999 607 083 00	fuse 7 , 5 A		X		(21)	999 650 318 22	contact bridge 8-pole		X	
(16)	999 607 085 00	fuse 15 A		X		22	999 650 317 40	plug socket 8-pole		X	
(16)	999 607 087 00	fuse 25 A		X		23	999 650 320 22	contact bush 2,8 / 0,75		X	
(16)	999 607 010 00	fuse 30 A		X		(23)	999 650 321 22	contact bush 2,8 / 2,5		X	
(16)	999 607 089 00	fuse 40 A		X							
17	996 610 214 00	tool		X							
-	996 610 217 01	assignment sticker fuse F >>99YS6 90343		X	M002						
-	996 610 217 02	assignment sticker fuse F 99YS6 90344>>	-00	X	M002						
-	996 610 217 04	assignment sticker fuse	-02	X	M002						

Model	Year	MG	SG	Illustration	Restrictions	UPD	19:49	26.01.2010	PORSCHE	PET	PORSCHE
GT3-1	2005	9	02	902-01		248					



Pos	Part Number	Description	Remark	Qty	Model
		central electrical system rear end			
1	996 610 129 00	mounting plate	-00	1	
(1)	996 610 129 02	mounting plate	01-05	1	
2	999 500 078 00	nut	-00	2	
3	900 075 413 09	combination screw M 6 X 16 Z2	-00	2	
(3)	999 084 629 01	hexagon nut M 6	01-	2	
4	900 380 015 01	hexagon nut M 6		2	
6	996 610 111 00	relay carrier support frame		1	
7	996 610 126 00	support	/R	1	
8	996 610 127 00	support	/L	1	
9	928 610 511 00	relay carrier		X	
10	-	relay			
S1	141 951 253 B	relay - dme -		1	
S2	141 951 253 B	relay ignition		1	
S4 A	964 615 215 00	relay air conditioner		1	M573
S4	999 657 018 90	relay air conditioner		1	M573
S7	996 615 110 00	relay starter		1	
S8	141 951 253 B	relay blower engine compartment		1	

Model	Year	MG	SG	Illustration	Restrictions	UPD	19:49	26.01.2010	PORSCHE	PET	PORSCHE
GT3-1	2005	9	02	902-05		248					



Pos	Part Number	Description	Remark	Qty	Model
		battery power distributor starter generator battery main switch			M003
1	997 611 090 00	ground strap	/LL	1	
(1)	997 611 091 00	ground strap	/RL	1	
2	999 611 053 20	battery 50 AH	-02	1	
2	999 611 060 20	battery 60 AH	04-	1	
3	893 915 507	angled pipe		1	
4	996 612 090 09	cable battery power distributor	/LL	-02	1 M002
(4)	996 612 090 10	cable battery power distributor	/RL	-02	1 M002
(4)	996 612 090 10	cable battery power distributor		04-	1 M002
5	900 380 005 09	hexagon nut VM 8		2	
6	900 084 030 02	hexagon nut M 8 for power distributor		2	
7	996 610 309 00	protection cap terminal clamp power distributor		1	
8	996 610 302 00	flange gasket for power distributor		1	
9	900 378 123 09	hexagon-head bolt M 8 X 12	-02	1	
9	900 378 017 01	hexagon-head bolt M 8 X 20	-02	1	M197
9	900 378 017 01	hexagon-head bolt M 8 X 20	04-	1	
10	996 611 209 00	rail	-02	1	M197

Model	Year	MG	SG	Illustration	Restrictions	UPD	19:49	26.01.2010	PORSCHE	PET	PORSCHE
GT3-1	2005	9	02	902-05		248					

Pos	Part Number	Description	Remark	Qty	Model	Pos	Part Number	Description	Remark	Qty	Model
10	996 611 209 00	rail	04-	1		6	900 084 030 02	hexagon nut M 8		2	
(10)	996 611 209 90	rail	-02	1							
(11) A	996 504 151 02	carrier plate for battery		1		14	996 610 311 00	seal label red use also: POS. 8		2	
(11)	997 504 151 01	carrier plate for battery		1							
-	996 504 622 01	gasket carrier plate for battery		1		17	996 612 041 01	cable power distributor starter		1	
12	999 084 630 01	hexagon nut VM 8 SB		4				when required order also:			
13	996 610 306 00	repair kit replacement fuse element comprising:		1		-	996 610 187 00	cable holder	01-	1	
-	-	fuse element 50 AMPERE		1		-	999 919 172 09	hexagon-head bolt 7,0 X 14	01-	1	
-	-	fuse element 80 AMPERE		1		18	996 610 340 00	guide tube		1	
-	-	hexagon nut M 5		4		19 A	900 075 497 02	hexagon-head bolt M 5 X 10 Z2		1	
6	900 084 030 02	hexagon nut M 8		1		19	900 075 497 01	combination screw M 5 X 10 Z2		1	
-	-	intermediate layer		4		20 A	999 507 702 02	speed nut M 5		1	
-	-	cover blue		1		20	999 507 702 01	speed nut M 5		1	
14	996 610 311 00	seal label red		2		21	900 377 010 01	hexagon nut M 6		1	
14	996 610 311 00	seal label red		2		22	996 607 031 91	wiring harness with connection point generator starter	-02	1	
15	900 084 031 02	hexagon nut M 6 for power distributor		7		22	996 607 031 92	wiring harness with connection point generator starter	04-	1	
16	996 610 308 00	repair kit replacement power distributor comprising:		1		23	996 611 201 01	connection point complete		1	
-	-	power distributor complete		1		24	996 607 125 92	support connection point		1	
15	900 084 031 02	hexagon nut M 6		7		25	900 377 010 01	hexagon nut M 6		3	

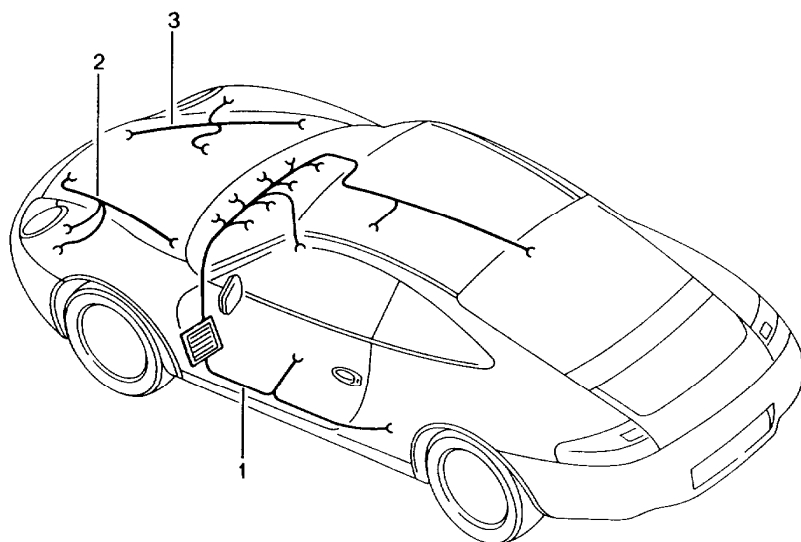
Model	Year	MG	SG	Illustration	Restrictions	UPD	19:49	26.01.2010	PORSCHE	PET	PORSCHE
GT3-1	2005	9	02	902-05		248					

Pos	Part Number	Description	Remark	Qty	Model	Pos	Part Number	Description	Remark	Qty	Model
26	900 378 036 01	hexagon-head bolt M 6 X 12		2		-	000 043 204 23	spring washer B4		2	
27	900 378 022 09	hexagon-head bolt M 8 X 25		1				mounting parts generator			
28	> 996 604 107 00	starter		1		-	900 378 167 09	hexagon-head bolt M 10 X 110	-01	1	
29	900 378 101 09	hexagon-head bolt AM 10 X 35		2		-	900 378 129 09	hexagon-head bolt M 10 X 130	02-	1	
30	996 604 118 00	protection cap starter		1		-	900 377 011 09	hexagon nut M 10	02-	1	
31	996 607 034 00	ground strap engine body	-02	1		-	900 378 098 09	hexagon-head bolt AM 10 X 60		1	
31	996 607 034 01	ground strap engine body	04-	1		36	900 377 003 03	hexagon nut M 8		2	
32	> 996 603 012 03	generator	-02	1		37	999 076 069 02	hexagon nut M 8		1	
32	A 997 603 012 04	generator	04-	1		- K	996 612 927 80	battery main switch		1	M003
32	> 997 603 012 06	generator	04-	1		-	996 612 333 95	wiring harness	-02	1	M003
-	999 650 166 40	plug socket		1		-	996 612 090 95	cable battery battery main switch	/LL	-02	1 M003
-	999 652 694 12	connector		1		-	996 612 090 96	cable battery battery main switch	/RL	-02	1 M003
-	999 704 161 40	gasket		1		-	996 612 090 96	cable battery battery main switch	/RL	-02	1 M003
-	999 652 965 40	gasket		1		-	996 612 090 96	cable battery battery main switch	/RL	-02	1 M003
33	996 603 151 55	pulley		1		- K	996 612 393 90	cable battery main switch power distributor	/LL	-02	1 M003
34	N 012 016 1	lock ring B 16		1		-	996 612 393 95	cable battery main switch power distributor	/RL	-02	1 M003
35	900 034 013 01	hexagon nut M 16 X 1,5		1		-	911 606 225 00	retaining bracket	-02	1	M003
-	996 603 113 00	protection cap for POS. 35		1		-	900 151 027 02	washer 5,3	-02	1	M003
-		mounting parts regulator generator				-	900 075 361 02	hexagon-head bolt M 5 X 12		2	M003
-	000 043 204 22	oval-head screw M 4 X 19 micro-self-locking		2		-	999 511 208 02	cable holder	/RL	-02	1 M003
-						-	900 378 030 09	hexagon-head bolt M 6 X 20	/RL	-02	1 M003

Model	Year	MG	SG	Illustration	Restrictions	UPD	19:49	26.01.2010	PORSCHE	PET	PORSCHE
GT3-1	2005	9	02	902-05		248					

Pos	Part Number	Description	Remark	Qty	Model	Pos	Part Number	Description	Remark	Qty	Model
-	996 613 183 95	rocker switch outer complete with cover	-02	1	M003	-	K 996 612 393 90	cable battery main switch power distributor	04-	1	M003
-	996 613 185 95	pressure switch inner complete with cover	-02	1	M003						
-	K 996 612 921 70	assembly kit battery main switch comprising:	04-	1	M003/581						
-	K 996 612 227 70	battery main switch	04-	1	M003						
-	K 996 613 185 70	switch inner complete with trim for switch	04-	1	M003/581						
-	900 378 074 01	hexagon-head bolt M 8 X 16	04-	1	M003						
-	900 075 459 09	combination screw M 6 X 12	04-	1	M003						
-	K 996 612 921 75	assembly kit battery main switch comprising:	04-	1	M003						
-	K 996 612 227 70	battery main switch	04-	1	M003						
-	K 996 613 185 75	switch inner complete with trim for switch	04-	1	M003						
-	900 378 074 01	hexagon-head bolt M 8 X 16	04-	1	M003						
-	900 075 459 09	combination screw M 6 X 12	04-	1	M003						
-	K 996 613 183 70	rocker switch outer complete with cover	04-	1	M003						
-	K 996 613 261 80	rocker switch outer	04-	1	M003						

Model	Year	MG	SG	Illustration	Restrictions	UPD	19:49	26.01.2010	PORSCHE	PET	PORSCHE
GT3-1	2005	9	02	902-10		248					

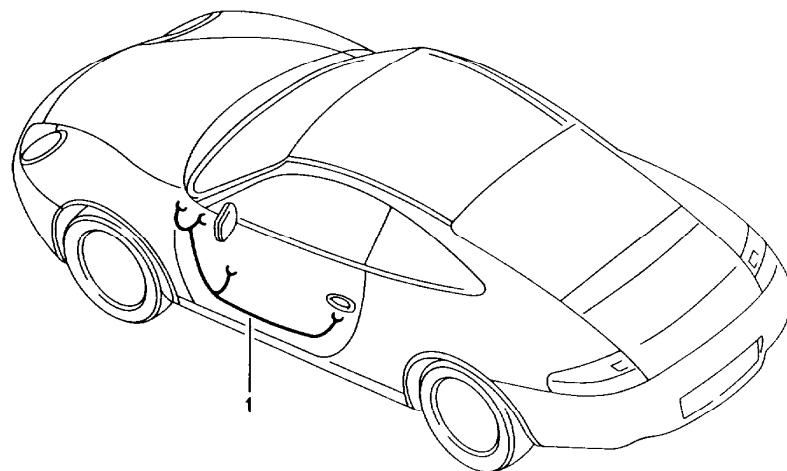


Pos	Part Number	Description	Remark	Qty	Model
		wiring harnesses passenger compartment glove compartment FRONT luggage compartment repair kit anti-lock brake system brake pad wear indicator front axle			
1	996 612 903 00	wiring harness passenger compartment vehicle identification no. indicate		1	
-	996 610 120 00	support plug socket diagnostic connector		1	
-	999 651 302 40	fixing clip wiring harness passenger compartment door sill		X	
-	999 651 284 40	fixing clip wiring harness passenger compartment door sill		X	
		connection point X 11 / 12			
-	999 652 931 40	pin connector socket		2	
-	999 652 570 22	contact pin 2,5 - 1		X	
-	999 652 571 22	contact pin 2,5 - 2,5		X	
-	999 652 932 40	pin connector socket 10-pole black		2	
-	999 652 923 40	cap black		2	
-	999 652 933 40	pin connector socket 10-pole white		2	
-	999 652 922 40	cap white		2	
-	999 652 921 40	locking device blue		4	

Model	Year	MG	SG	Illustration	Restrictions	UPD	19:49	26.01.2010	PORSCHE	PET	PORSCHE
GT3-1	2005	9	02	902-10		248					

Pos	Part Number	Description	Remark	Qty	Model	Pos	Part Number	Description	Remark	Qty	Model
-	999 652 983 22	contact pin 0,63 - 0,5		X		-	996 612 958 70	repair kit wiring harness	/V/R -02	1	
-	996 622 501 00	wiring harness glove compartment	02-	1		-	996 612 958 91	repair kit wiring harness	/V/R 04-	1	
-	999 650 564 40	support microswitch	02-	1		-	986 606 136 00	protective tube		2	
-	999 650 565 40	support connector housing	02-	1				repair kit wiring harness rear axle see group 9 / 02 / 20			
2	996 612 303 01	wiring harness FRONT luggage compartment F >>99YS6 90343	/L	1							
2	996 612 303 05	wiring harness FRONT luggage compartment F 99YS6 90344>>	/L -00	1							
2	996 612 303 10	wiring harness FRONT luggage compartment	/L 01	1							
2	996 612 303 15	wiring harness FRONT luggage compartment	/L 02-	1							
2	996 612 313 15	wiring harness FRONT luggage compartment	/L 04-	1	M601						
3	996 612 302 01	wiring harness FRONT luggage compartment	/R -01	1							
3	-	wiring harness FRONT luggage compartment is a component of wiring harness passenger compartment	/R 02-	1							
		repair kit wiring harness anti-lock brake system brake pad wear indicator front axle									
-	996 612 957 90	repair kit wiring harness	/V/L 00	1							
-	996 612 957 70	repair kit wiring harness	/V/L -02	1							
-	996 612 957 91	repair kit wiring harness	/V/L 04-	1							
-	996 612 958 90	repair kit wiring harness	/V/R 00	1							

Model	Year	MG	SG	Illustration	Restrictions	UPD	19:49	26.01.2010	PORSCHE	PET	PORSCHE
GT3-1	2005	9	02	902-15		248					

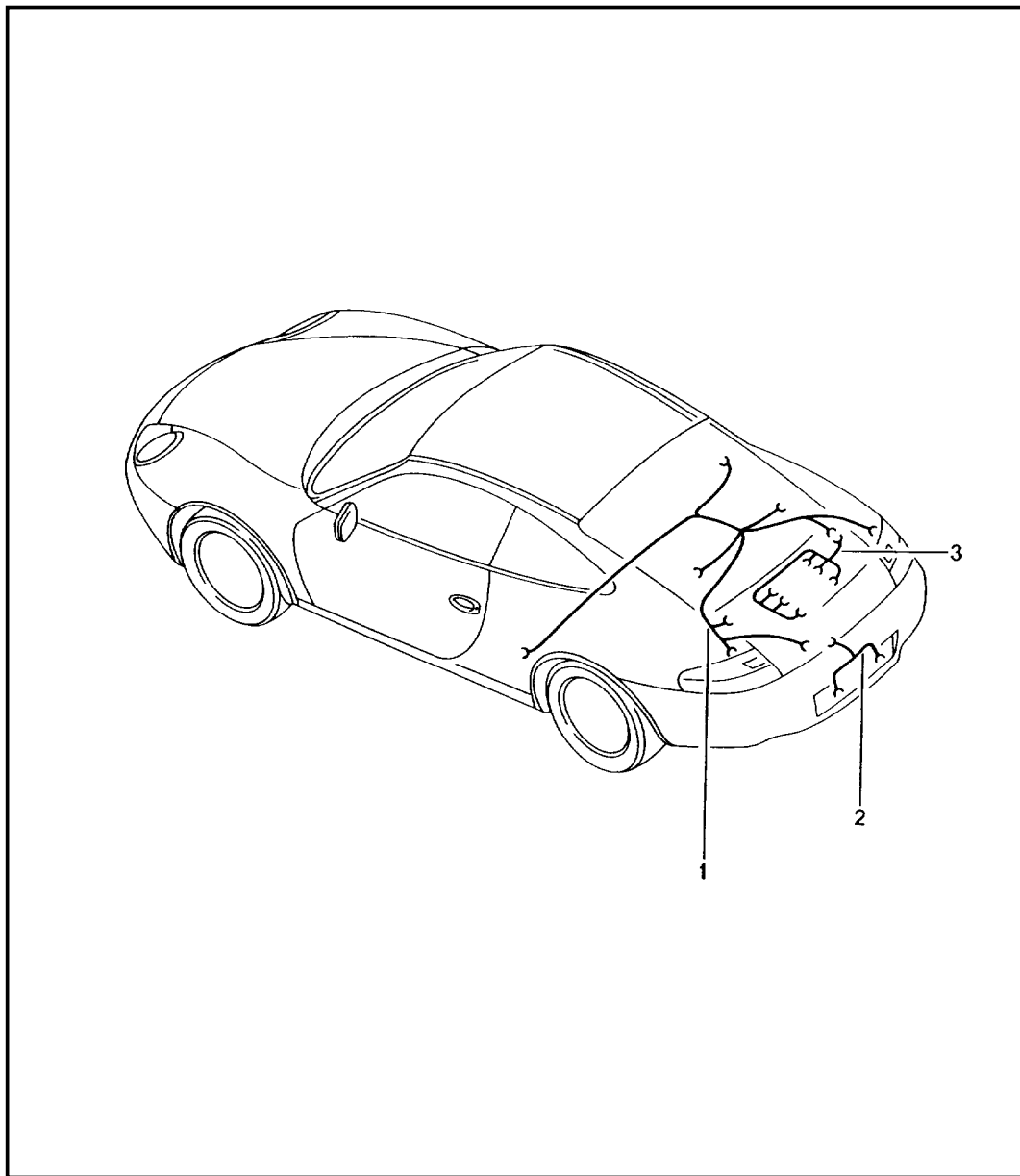


Pos	Part Number	Description	Remark	Qty	Model
		wiring harnesses driver's door passenger's door			
1	986 612 602 05	wiring harness driver's door passenger's door	-00	2	
1	986 612 642 05	wiring harness driver's door passenger's door	-00	2	M563
1	996 612 630 05	wiring harness driver's door	-00	1	M273
1	996 612 634 03	wiring harness driver's door	-00	1	M273/563
1	996 612 634 11	wiring harness driver's door	01-	1	
(1)	996 612 632 05	wiring harness passenger's door	-00	1	M273
(1)	996 612 635 03	wiring harness passenger's door	-00	1	M273/563
(1)	996 612 635 11	wiring harness passenger's door	01-	1	
		connection point X 11 / 12			
-	999 652 930 40	plug socket		2	
-	999 652 567 22	cylindrical socket 2,5 - 1		X	
-	999 652 568 22	cylindrical socket 2,5 - 2,5		X	
-	999 652 927 40	plug socket 10-pole white		2	
-	999 652 924 40	cap white		2	
-	999 652 928 40	plug socket 10-pole black		2	
-	999 652 925 40	cap black		2	
-	999 652 921 40	locking device blue		4	

Model	Year	MG	SG	Illustration	Restrictions	UPD	19:49	26.01.2010	PORSCHE	PET	PORSCHE
GT3-1	2005	9	02	902-15		248					

Pos	Part Number	Description	Remark	Qty	Model	Pos	Part Number	Description	Remark	Qty	Model
-	999 652 901 22	connector 0,63 - 0,5 mount wiring harness doors		X							
-	996 610 320 01	cable guide		2	M273						
-	999 703 470 40	cable clamp		2	M273						
-	999 507 627 02	cable clamp		2							
-	996 610 141 01	rubber boot a-pillar		2							
-	996 610 144 00	frame reinforcement rubber boot a-pillar mount connection point a-pillar		2							
-	999 919 237 00	oval-head screw 5 X 20		2							
-	999 507 649 40	expansion rivet 4,8		2							
-	996 610 321 00	cable holder door arrester		2							

Model	Year	MG	SG	Illustration	Restrictions	UPD	19:49	26.01.2010	PORSCHE	PET	PORSCHE
GT3-1	2005	9	02	902-20		248					

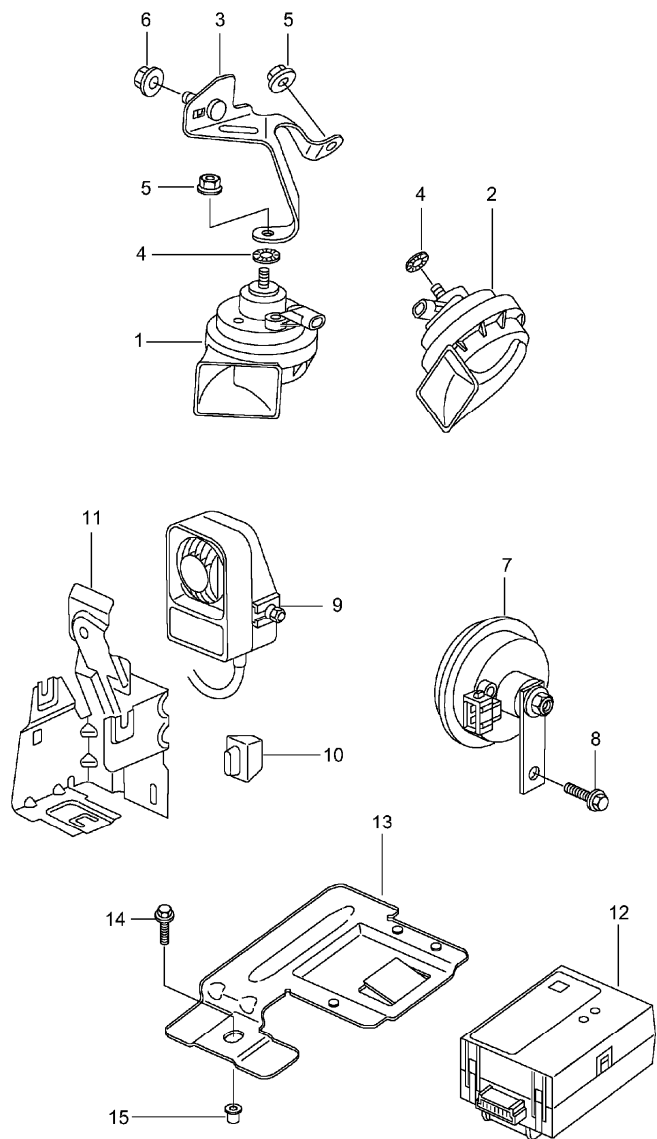


Pos	Part Number	Description	Remark	Qty	Model
		wiring harnesses rear end license plate light engine repair kit anti-lock brake system brake pad wear indicator rear axle			
1	996 612 905 00	wiring harness rear end vehicle identification no. indicate		00 1	
1	996 612 801 92	wiring harness rear end	01-02	1	
1	996 612 905 00	wiring harness rear end vehicle identification no. indicate	04-	1	
2	996 612 060 00	wiring harness license plate light	-01	1	
2	996 612 062 00	wiring harness license plate light	02-	1	
-	999 650 013 40	fixing clip connection point wiring harness license plate light		1	
3	K 996 607 012 98	wiring harness engine	-02	1	
(3)	996 607 014 92	wiring harness engine	04-	1	
-	996 607 121 00	cable guide	/L	-02 1	
-	996 607 122 00	cable guide	/R	-02 1	
-	996 607 101 02	support connection point wiring harness engine		1	
(3)	996 612 401 70	wiring harness transmission cooling	04-	1	
		repair kit wiring harness anti-lock brake system brake pad wear indicator rear axle			

Model	Year	MG	SG	Illustration	Restrictions	UPD	19:49	26.01.2010	PORSCHE	PET	PORSCHE
GT3-1	2005	9	02	902-20		248					

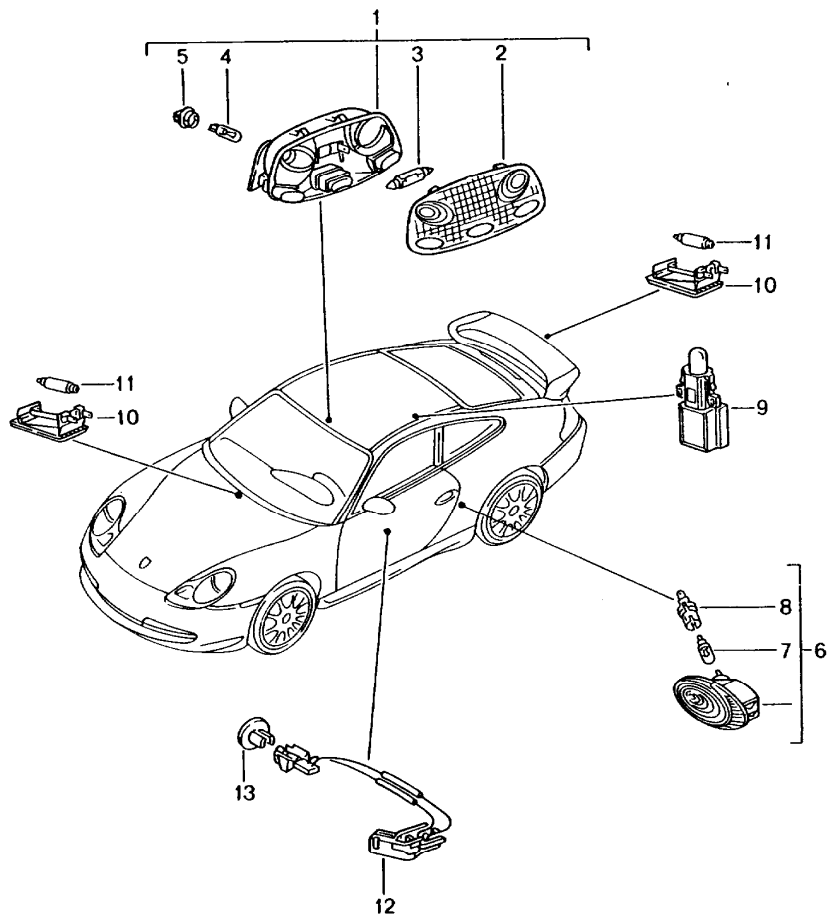
Pos	Part Number	Description	Remark	Qty	Model	Pos	Part Number	Description	Remark	Qty	Model
-	996 612 953 01	repair kit wiring harness	/H/L	-02	1						
-	996 612 964 00	repair kit wiring harness	/H/L	04-	1						
-	996 612 954 01	repair kit wiring harness	/H/R	-02	1						
-	996 612 965 00	repair kit wiring harness	/H/R	04-	1						
		repair kit wiring harness front axle see group 9 / 02 / 10									

Model	Year	MG	SG	Illustration	Restrictions	UPD	19:50	26.01.2010	PORSCHE	PET	PORSCHE
GT3-1	2005	9	03	903-00		248					



Pos	Part Number	Description	Remark	Qty	Model
		fanfare horn alarm system			M536
1	996 635 206 04	fanfare high-pitched		1	
2	996 635 205 04	fanfare low-pitched		1	
-	999 650 490 40	plug socket		2	
-	999 650 135 22	connector		4	
-	999 650 126 40	gasket		4	
3	996 635 150 00	support		1	
4	N 042 121 3	shake-proof washer A 6,4		2	
5	900 380 015 01	hexagon nut M 6		2	
6	900 377 003 03	hexagon nut M 8		1	
7 A	996 637 117 02	horn for alarm system		1	
7	996 637 117 03	horn for alarm system		1	
8	900 075 459 09	combination screw M 6 X 12 Z2		1	
9	996 618 237 04	alarm siren		1	M536
10	999 703 459 40	rubber mounting		02-	1 M536
11	996 637 420 01	support	/LL	02-	1 M536
(11)	996 637 419 01	support	/RL	02-	1 M536
12	996 618 265 01	tilt sensor		02-	1 M536
13	996 637 421 00	support		02-	1 M536
14	900 378 179 09	hexagon-head bolt M 6 X 16		02-	1 M536
15	999 500 078 00	sheetmetal press nut M 6		02-	1 M536

Model	Year	MG	SG	Illustration	Restrictions	UPD	19:50	26.01.2010	PORSCHE	PET	PORSCHE
GT3-1	2005	9	03	903-04		248					

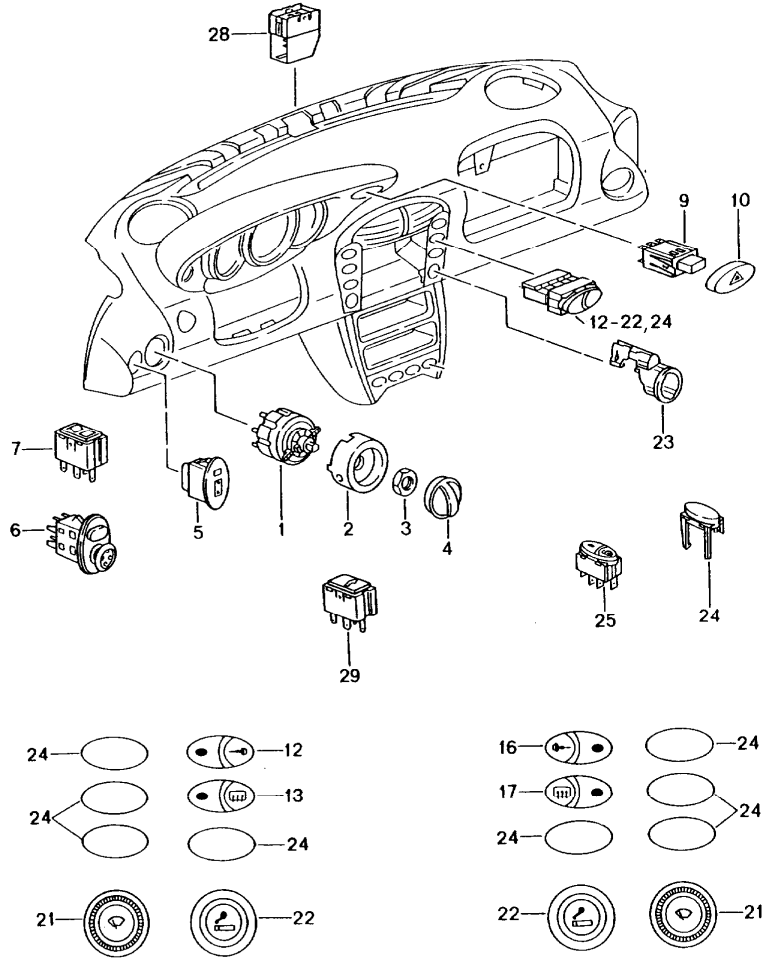


Pos	Part Number	Description	Remark	Qty	Model
		interior lights luggage compartment lamp engine compartment lamp glove compartment light combined lights door opener			
1	996 632 051 01	interior light	-01	1	
1	996 632 051 10	interior light	02	1	
1	996 632 053 10	interior light	04-	1	
2	996 632 151 00	lens	-02	1	
2	996 632 153 10	lens	04-	1	
3	900 631 106 90	bulb 10 W		1	
4	999 631 134 90	bulb 6 W		2	
5	999 632 018 00	bulb socket		2	
6	996 632 132 01	door guard light		2	
7	999 631 032 90	bulb 5 W		2	
8	161 949 111	bulb socket		2	
9	996 632 113 00	ashtray light		1	
10	997 632 201 00	light		2	
-	815 971 989 B	plug socket		2	
-	N 017 490 6	connector		4	
(10)	928 632 101 00	glove compartment light	04-	1	
11	900 631 106 90	linolite lamp 10 W luggage compartment lamp engine compartment lamp		2	
(11)	999 631 018 90	linolite lamp 3 W glove compartment light	04-	1	
-	999 631 137 90	bulb	-01	4	M274

Model	Year	MG	SG	Illustration	Restrictions	UPD	19:50	26.01.2010	PORSCHE	PET	PORSCHE
GT3-1	2005	9	03	903-04		248					

Pos	Part Number	Description	Remark	Qty	Model	Pos	Part Number	Description	Remark	Qty	Model
-	999 631 147 90	bulb 3 W vanity mirror		02-	4	M274					
12	996 632 121 02	combined lights driver's door door opener ignition starter lock	/LL	01-	1						
(12)	996 632 124 02	combined lights driver's door door opener ignition starter lock	/RL	01-	1						
(12)	996 632 122 02	combined lights passenger's door door opener	/LL	01-	1						
(12)	996 632 123 02	combined lights passenger's door door opener	/RL	01-	1						
13	996 632 125 00	rosette driver's door combined lights ignition starter lock	/LL	01-	1						
(13)	996 632 126 00	rosette driver's door combined lights ignition starter lock	/RL	01-	1						

Model	Year	MG	SG	Illustration	Restrictions	UPD	19:50	26.01.2010	PORSCHE	PET	PORSCHE
GT3-1	2005	9	03	903-05		248					



Pos	Part Number	Description	Remark	Qty	Model
		switch			
1	996 613 535 00	light switch		1	
-	999 650 346 40	terminal sleeve housing		1	
-	999 650 343 40	lid		1	
-	999 652 437 12	connector \$ 4,0		X	
-	999 652 351 22	connector \$ 2,5		X	
2	996 613 631 01	headlight unit	/LL	1	
(2)	996 613 632 01	headlight unit	/RL	1	
-	999 652 972 40	plug socket		1	
-	999 652 973 40	cap		1	
-	999 652 901 22	connector		5	
3	999 034 030 09	hexagon nut M 16 X 1		1	
4	996 613 533 01	rotary knob	-01	1	
	A01	gloss black			
4	996 613 533 10	rotary knob	02-	1	
	A05	black mat			
5	996 613 230 01	potentiometer	-00	1	M605
	A01	gloss black headlight levelling system			
6	996 613 241 00	switch		1	M273
	01C	satin black door mirror			
-	993 612 501 00	plug socket		1	
-	N 903 352 04	connector		5	
-	999 652 790 12	cylindrical socket		2	
7	996 613 423 00	cover rear spoiler		1	
-	999 650 035 40	plug socket		1	
-	999 650 330 00	connector		5	

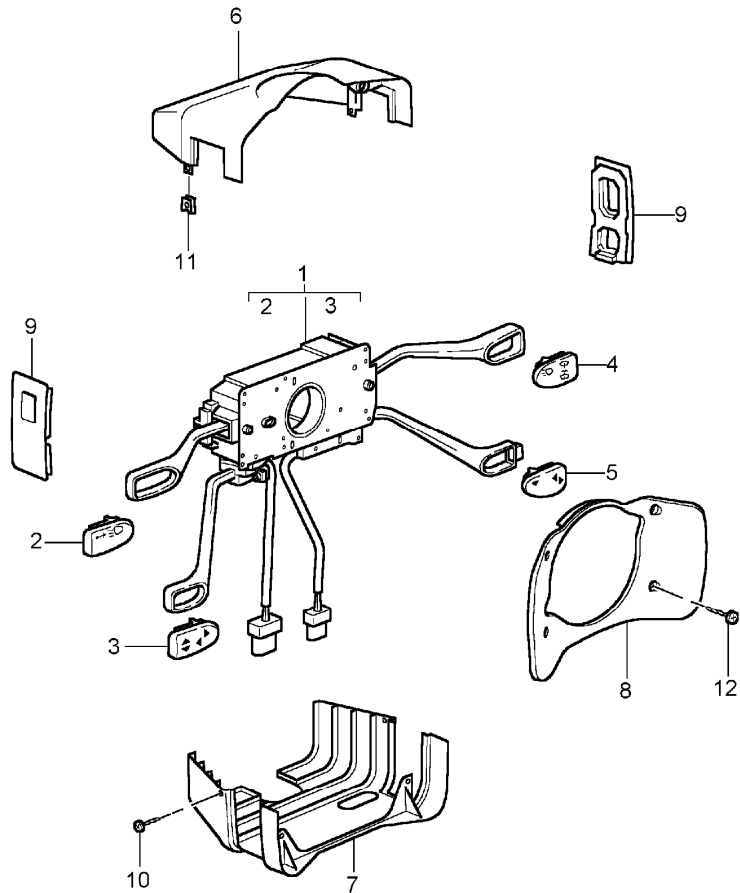
Model	Year	MG	SG	Illustration	Restrictions	UPD	19:50	26.01.2010	PORSCHE	PET	PORSCHE
GT3-1	2005	9	03	903-05		248					

Pos	Part Number	Description	Remark	Qty	Model	Pos	Part Number	Description	Remark	Qty	Model
9	996 613 120 01	hazard warning light sw.		1		16	996 613 143 10	tip switch	/RL	02-	1
10	996 613 121 00	key	-01	1			A05	black mat central locking system			
	A02	gloss black									
10	996 613 121 10	key	02-	1		-	999 650 107 40	plug socket			1
	A05	black mat				-	999 650 330 00	connector			5
-	999 650 191 40	plug socket		1		17	996 613 133 00	tip switch	/RL	-01	1
-	999 650 192 40	locking device		1			A02	gloss black heating rear window door mirror			
-	999 652 475 22	connector		9							
-	-	rosette hazard warning light sw. see group 8 / 09 / 00		X		17	996 613 133 10	tip switch	/RL	02-	1
							A05	black mat heating rear window door mirror			
12	996 613 144 00	tip switch	/LL	-01	1						
	A02	gloss black central locking system				-	999 650 110 40	plug socket			1
12	996 613 144 10	tip switch	/LL	02-	1	-	999 650 103 12	connector			5
	A05	black mat central locking system				21	996 613 115 00	potentiometer		-01	1
-	999 650 107 40	plug socket		1			A02	gloss black wipe interval			
-	999 650 330 00	connector		5		21	996 613 115 10	potentiometer		02-	1
13	996 613 134 00	tip switch	/LL	-01	1		A05	black mat wipe interval			
	A02	gloss black heating rear window door mirror				22	996 652 101 00	cigarette lighter		-01	1
13	996 613 134 10	tip switch	/LL	02-	1	22 A	996 652 101 10	cigarette lighter		02-	1
	A05	black mat heating rear window door mirror					A05	black mat			
-	999 650 110 40	plug socket		1		22	997 652 101 00	cigarette lighter		02-	1
-	999 650 103 12	connector		5			A05	black mat			
16	996 613 143 00	tip switch	/RL	-01	1	-	999 650 284 40	plug socket			1
	A02	gloss black central locking system				-	999 652 735 12	connector			3
						23	996 652 102 01	headlight unit		-01	1
						23	996 652 102 10	headlight unit		02-	1
						24	996 552 425 00	cover		-00	X

Model	Year	MG	SG	Illustration	Restrictions	UPD	19:50	26.01.2010	PORSCHE	PET	PORSCHE
GT3-1	2005	9	03	903-05		248					

Pos	Part Number	Description	Remark	Qty	Model	Pos	Part Number	Description	Remark	Qty	Model
	A01	gloss black									
(24)	986 613 425 00	cover		-01	X						
	A01	gloss black switch display specimen									
(24)	996 613 425 10	cover		02-	X						
	A05	black mat switch display specimen									
25	996 613 151 00	tip switch		-01	2						
	A02	gloss black power windows									
25	996 613 151 10	tip switch		02-	2						
	A05	black mat power windows									
-	999 650 109 40	plug socket	/L		1						
-	999 650 330 00	connector	/L		5						
-	999 650 035 40	plug socket	/R		1						
-	999 650 330 00	connector	/R		5						
28	996 653 251 00	light alarm system with sensor			1	M534/535					
						M573					
-	999 650 221 40	plug socket			1						
29	996 613 105 10	tip switch		04-	1						
	A05	black mat lid front									
(29)	996 613 106 10	tip switch		04-	1						
	A05	black mat lid rear									

Model	Year	MG	SG	Illustration	Restrictions	UPD	19:50	26.01.2010	PORSCHE	PET	PORSCHE
GT3-1	2005	9	03	903-10		248					

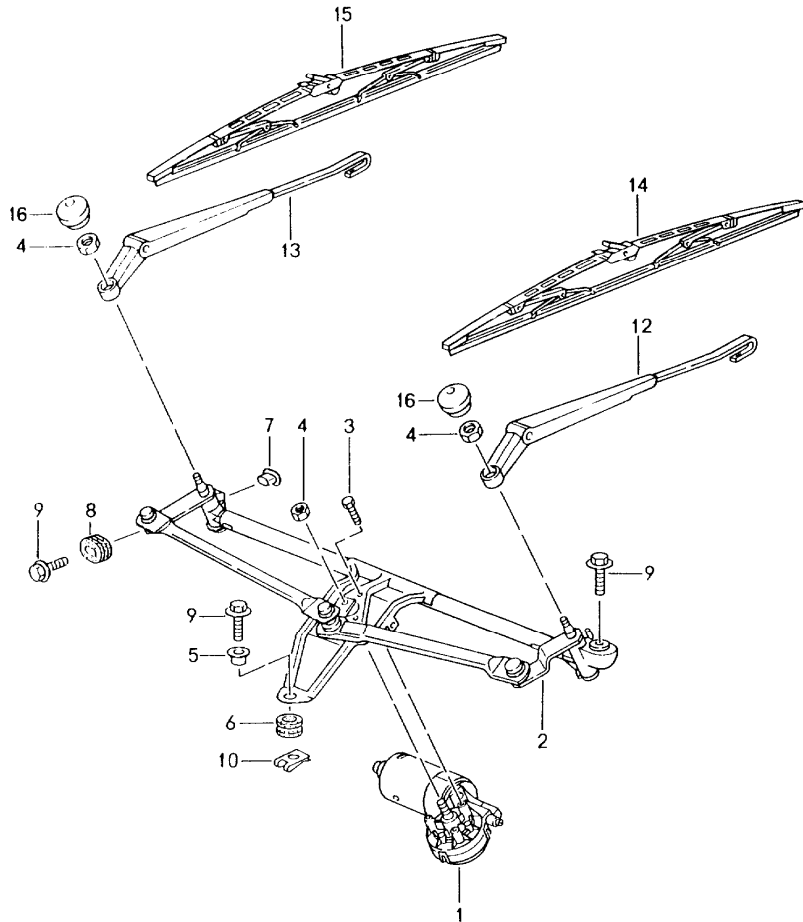


Pos	Part Number	Description	Remark	Qty	Model
1	996 613 219 10	steering column switch		1	M454/659
	EWC	satin black/gloss black	04-		
1	996 613 215 10	steering column switch		1	M659
	EWC	black mat/satin black	02-		
1	996 613 213 10	steering column switch		1	
	EWC	black mat/satin black	-02		
-	999 652 640 40	plug socket	/L	1	
-	999 652 639 22	contact bush	/L	X	
-	999 652 641 40	plug socket	/R	1	
-	999 652 639 22	contact bush	/R	X	
-	999 650 056 40	plug socket		1	M659
-	999 650 057 40	cap		1	M659
-	999 652 901 22	contact bush		X	M659
-	999 652 972 40	plug socket	04-	1	M454
-	999 652 973 40	cap	04-	1	M454
-	999 652 901 22	contact bush	04-	X	M454
		when required order also:			
2	996 613 509 00	cap with symbol	-01	1	
	A01	gloss black direction indicator light high beam			
2	996 613 509 10	cap with symbol	02-	1	
	A05	black mat direction indicator light high beam			
3	996 613 503 01	cap with symbol	-01	1	M659
	A01	gloss black			
3	996 613 503 10	cap with symbol	02-	1	M659
	A05	black mat			
4	996 613 507 10	cap with symbol	04-	1	M288

Model	Year	MG	SG	Illustration	Restrictions	UPD	19:50	26.01.2010	PORSCHE	PET	PORSCHE
GT3-1	2005	9	03	903-10		248					

Pos	Part Number	Description	Remark	Qty	Model	Pos	Part Number	Description	Remark	Qty	Model
	A05	black mat				10	900 143 002 07	tapping screw B 2,9 X 9,5		2	
(4)	996 613 508 00	cap with symbol	-01	1		11	999 591 888 02	speed nut B 2,9		2	
	A01	gloss black				12	900 143 072 02	oval-head sheetmetal screw B 3,5 X 19		4	
(4)	996 613 508 10	cap with symbol	02-	1							
	A05	black mat									
5	996 613 504 10	cap with symbol	04-	1	M454						
	A05	black mat german									
(5)	996 613 505 10	cap with symbol	04-	1	M454						
	A05	black mat english									
(5)	996 613 506 10	cap with symbol	04-	1	M454						
	A05	black mat french									
6	996 552 273 01	switch housing lacquered		1							
	A03	black									
7	996 552 275 03	switch housing lacquered		1							
	A03	black									
-	996 610 206 00	support for connector housing		1							
8	996 552 277 00	cover lacquered		1							
	A03	black									
9	993 552 573 00	cover		X							
	01C	satin black									
			04-	1	M454						
				1	M659						
(9)	993 552 573 01	cover		X							
	01C	satin black									
			04-		M454/659						
			04-		M454						
					M659						

Model	Year	MG	SG	Illustration	Restrictions	UPD	19:50	26.01.2010	PORSCHE	PET	PORSCHE
GT3-1	2005	9	04	904-00		248					

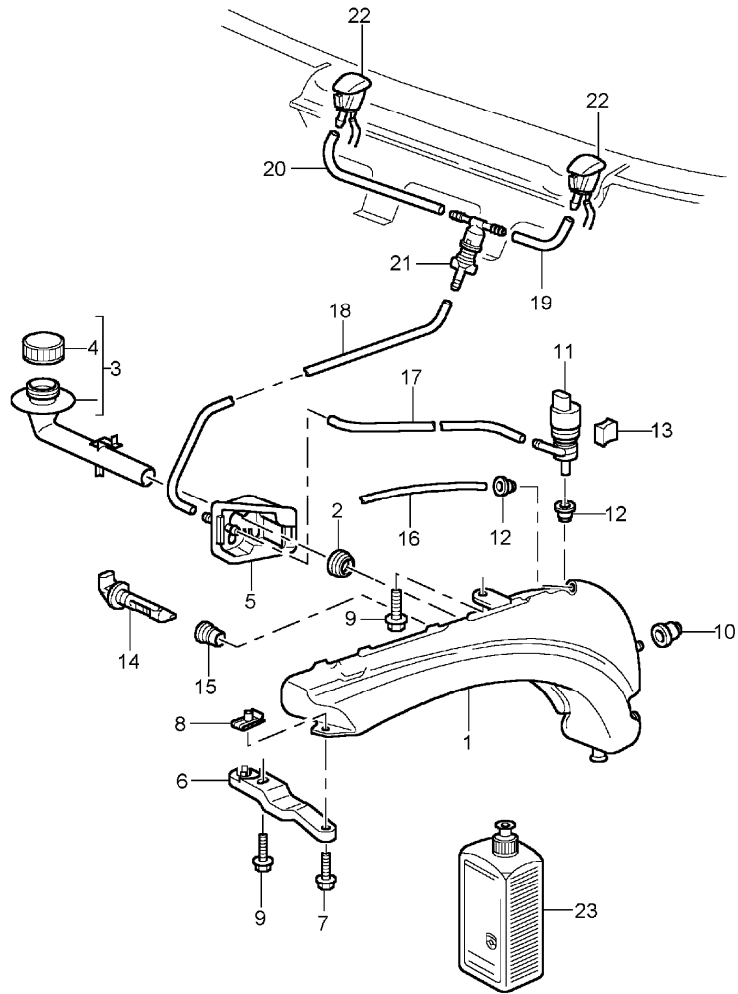


Pos	Part Number	Description	Remark	Qty	Model
		windscreen wiper system			
1	A 997 624 105 00	wiper motor	/LL	1	
1	997 624 105 01	wiper motor	/LL	1	
(1)	A 997 624 106 00	wiper motor	/RL	1	
(1)	997 624 106 01	wiper motor	/RL	1	
2	997 628 235 00	crank drive	/LL	1	
(2)	997 628 236 00	crank drive	/RL	1	
3	900 075 014 02	hexagon-head bolt M 6 X 18	-04	3	
(3)	999 073 359 09	torx screw M 6 X 18	05	3	
4	900 076 064 01	hexagon nut M 8		3	
5	999 924 102 02	bearing sleeve		1	
6	999 702 204 50	rubber bush		1	
7	996 628 713 00	bearing sleeve		1	
8	996 628 703 00	rubber bush		1	
9	A 999 075 075 09	combination screw M 6 X 22 SC		3	
9	999 075 075 01	combination screw M 6 X 22 SC		3	
10	999 507 246 02	speed nut M 6		1	
12	A 996 628 028 00	wiper arm driver's side	/LL	1	
12	997 628 027 00	wiper arm driver's side	/LL	1	
(12)	A 996 628 027 01	wiper arm passenger's side	/RL	1	
(12)	997 628 030 00	wiper arm passenger's side	/RL	1	
13	A 996 628 028 01	wiper arm passenger's side	/LL	1	
13	997 628 029 00	wiper arm passenger's side	/LL	1	

Model	Year	MG	SG	Illustration	Restrictions	UPD	19:50	26.01.2010	PORSCHE	PET	PORSCHE
GT3-1	2005	9	04	904-00		248					

Pos	Part Number	Description	Remark	Qty	Model	Pos	Part Number	Description	Remark	Qty	Model
(13)	A 996 628 027 00	wiper arm	/RL	1							
(13)	997 628 028 00	wiper arm driver's side	/RL	1							
(14)	996 628 901 08	wiper blade set driver's side passenger's side	/LL	1							
(15)	996 628 901 08	wiper blade set driver's side passenger's side	/RL	1							
16	944 628 305 01	cap		2							

Model	Year	MG	SG	Illustration	Restrictions	UPD	19:51	26.01.2010	PORSCHE	PET	PORSCHE
GT3-1	2005	9	04	904-10		248					

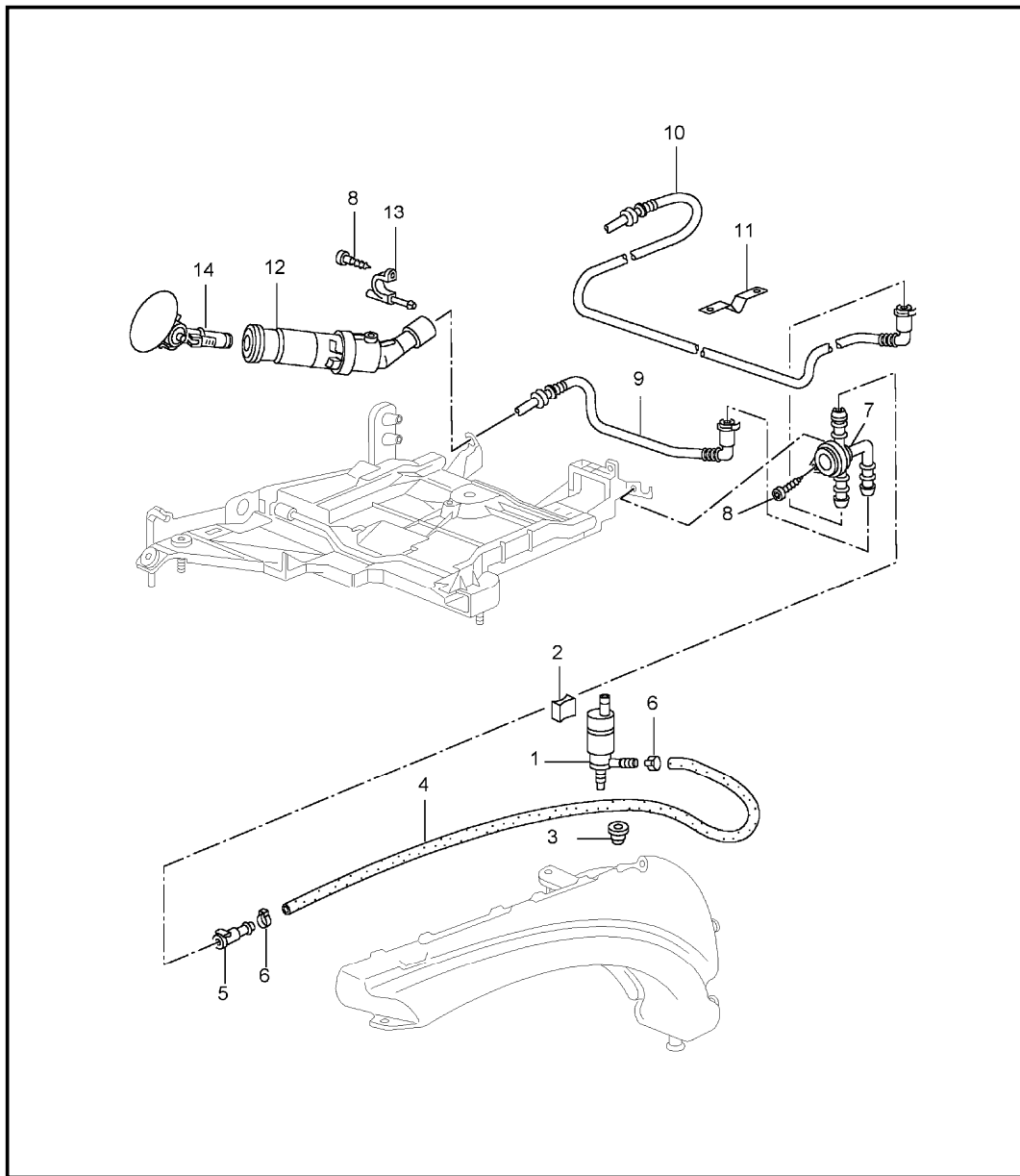


Pos	Part Number	Description	Remark	Qty	Model
		windscreen washer system			
1	996 528 701 00	water reservoir	04-	1	M288
(1)	996 528 701 01	water reservoir		1	
2	996 528 711 00	gasket		1	
3	996 528 605 00	filler neck		1	
4	996 528 607 00	lid		1	
5	996 528 615 01	bracket		1	
-	999 137 091 40	joining socket repair material for bracket 996.528.615.00/01		X	
(6)	996 528 611 02	support	04-	1	M288
7	900 378 030 09	hexagon-head bolt M 6 X 20	04-	1	M288
8	999 591 882 02	speed nut M 6	04-	1	M288
9	900 378 154 01	hexagon-head bolt AM 8 X 35 SB	04-	2	M288
10	999 702 221 40	grommet		2	
11	996 628 172 00	pump		1	
12	431 955 465 B	gasket		2	
13	993 628 213 00	spacer	04-	1	M288
14	996 628 105 00	tank gauge switch		1	
15	996 528 721 00	gasket		1	
16	999 181 347 40	breather pipe 245 MM 640 MM	04-	*	M288
-	999 181 815 40	hose 5,0 X 2,5		*	
17	-	400 MM		1	
18	-	560 MM		1	
19	-	80 MM		1	
20	-	380 MM		1	

Model	Year	MG	SG	Illustration	Restrictions	UPD	19:51	26.01.2010	PORSCHE	PET	PORSCHE
GT3-1	2005	9	04	904-10		248					

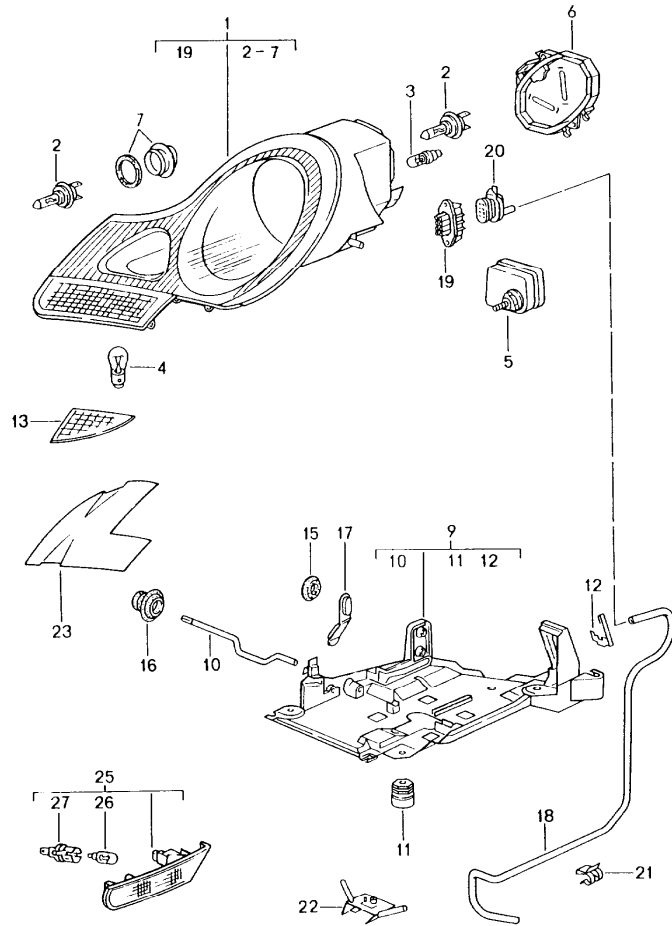
Pos	Part Number	Description	Remark	Qty	Model	Pos	Part Number	Description	Remark	Qty	Model
21	996 628 102 00	t-piece		1							
(22)	996 628 077 03	nozzle not adjustable		2							
		when required order also:									
-	997 612 976 00	repair kit wiring harness		2							
23	999 901 017 41	window cleaner 250 ML summer		X							
23	999 901 033 40	window cleaner 1000 ML winter		X							

Model	Year	MG	SG	Illustration	Restrictions	UPD	19:51	26.01.2010	PORSCHE	PET	PORSCHE
GT3-1	2005	9	04	904-21		248					



Pos	Part Number	Description	Remark	Qty	Model
		headlight washer system	04-		M288
1	996 624 502 00	pump		1	
2	993 628 213 00	spacer		1	
(3)	996 628 393 00	gasket with strainer		1	
-	999 181 750 40	hose 10 X 3		*	
4	-	1020 MM		1	
5	996 628 204 00	quick-connecting lock		1	
6	999 512 673 00	hose clamp		2	
7	996 628 160 00	distributing piece		1	
8	999 919 017 02	oval-head screw 4,0 X 16		3	
9	996 628 135 00	pipeline	/L	1	
10	996 628 136 01	pipeline	/R	1	
11	996 628 110 00	support		2	
12	996 628 161 00	jet carrier	/L	1	
(12)	996 628 162 00	jet carrier	/R	1	
13	996 631 116 00	guide pin		2	
14	996 628 143 00	trim cover with nozzle	/L	1	
(14)	996 628 144 00	trim cover with nozzle	/R	1	

Model	Year	MG	SG	Illustration	Restrictions	UPD	19:51	26.01.2010	PORSCHE	PET	PORSCHE
GT3-1	2005	9	05	905-00		248					

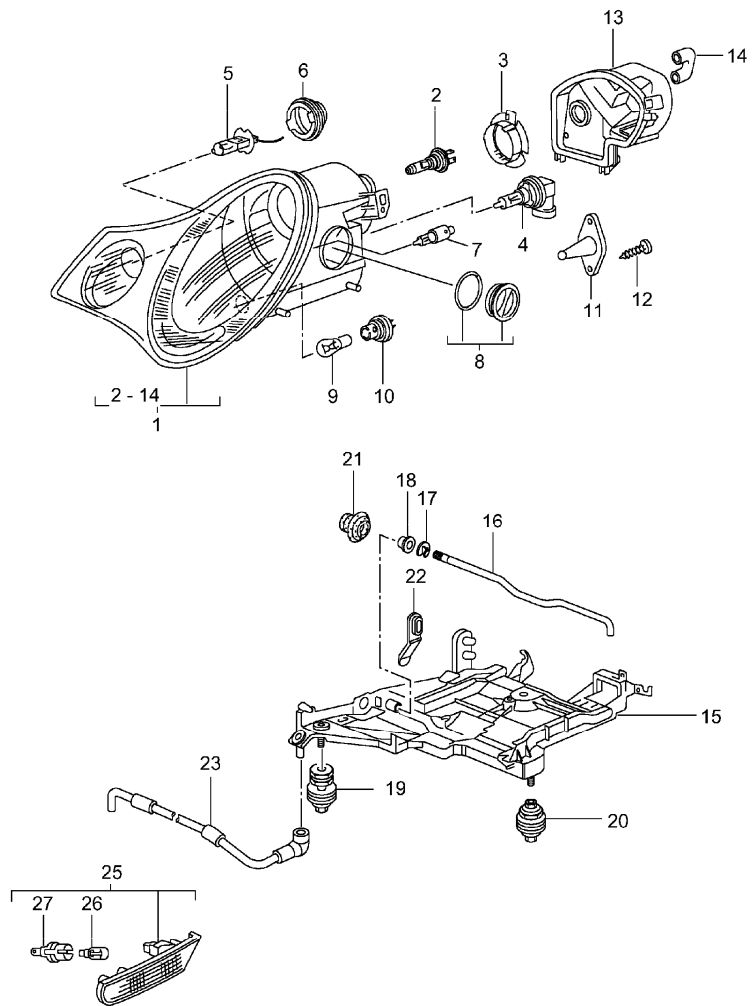


Pos	Part Number	Description	Remark	Qty	Model
		headlamp direction indicator light	-01		
1	996 631 163 01	headlamp	/L	1	
1	996 631 164 01	headlamp	/R	1	
1	996 631 163 11	headlamp	/L	1	M492
1	996 631 164 11	headlamp	/R	1	M492
2	999 631 133 90	halogen bulb H 7		6	
3	999 631 032 90	bulb 5 W		2	
4	900 631 131 90	bulb 21 W yellow		2	
5	993 624 209 00	electric motor headlight levelling system		2	
6	996 631 231 00	protective cap headlamp		2	
7	996 631 233 00	protective cap fog headlamp		2	
9	996 631 041 00	mounting	/L	1	
(9)	996 631 042 00	mounting	/R	1	
10	996 631 243 00	clamping bow		2	
11	996 631 077 00	fastening part		6	
12	996 631 245 00	locking device connector housing	/L	1	
(12)	996 631 246 00	locking device connector housing	/R	1	
13	996 631 045 00	trim cover	/L	1	
(13)	996 631 046 00	trim cover	/R	1	
15	803 803 583 A	rubber sleeve		2	
16	999 703 413 40	stopper		2	
17	993 631 170 03	stopper		6	
18	996 631 641 03	breather pipe	/L	1	
(18)	996 631 642 03	breather pipe	/R	1	

Model	Year	MG	SG	Illustration	Restrictions	UPD	19:51	26.01.2010	PORSCHE	PET	PORSCHE
GT3-1	2005	9	05	905-00		248					

Pos	Part Number	Description	Remark	Qty	Model	Pos	Part Number	Description	Remark	Qty	Model
19	999 652 832 40	connector housing headlamp		2							
20	999 650 150 40	connector housing wiring harness		2							
-	999 652 744 20	connector		16							
-	999 704 161 40	gasket		16							
21	999 651 317 09	fastening clamp breather pipe		X							
(21)	999 651 276 40	cable holder breather pipe wing strut		X							
(21)	999 651 282 40	cable holder breather pipe front apron		X							
22	996 631 693 00	support mount front apron		1							
23	996 631 137 00	set cover foil headlamp for Right-hand drive vehicles in rh traffic countries		1							
(23)	996 631 138 00	set cover foil headlamp for Left-hand drive vehicles in lh traffic countries		1							
		direction indicator light									
25	996 631 043 01	direction indicator light	/L	1							
(25)	996 631 044 01	direction indicator light	/R	1							
-	999 652 838 40	plug socket		2							
-	999 652 771 12	connector		4							
-	999 704 161 40	gasket		4							
26	999 631 138 90	bulb 5 W yellow		2							
(27)	996 631 133 01	bulb socket		2							

Model	Year	MG	SG	Illustration	Restrictions	UPD	19:51	26.01.2010	PORSCHE	PET	PORSCHE
GT3-1	2005	9	05	905-02		248					

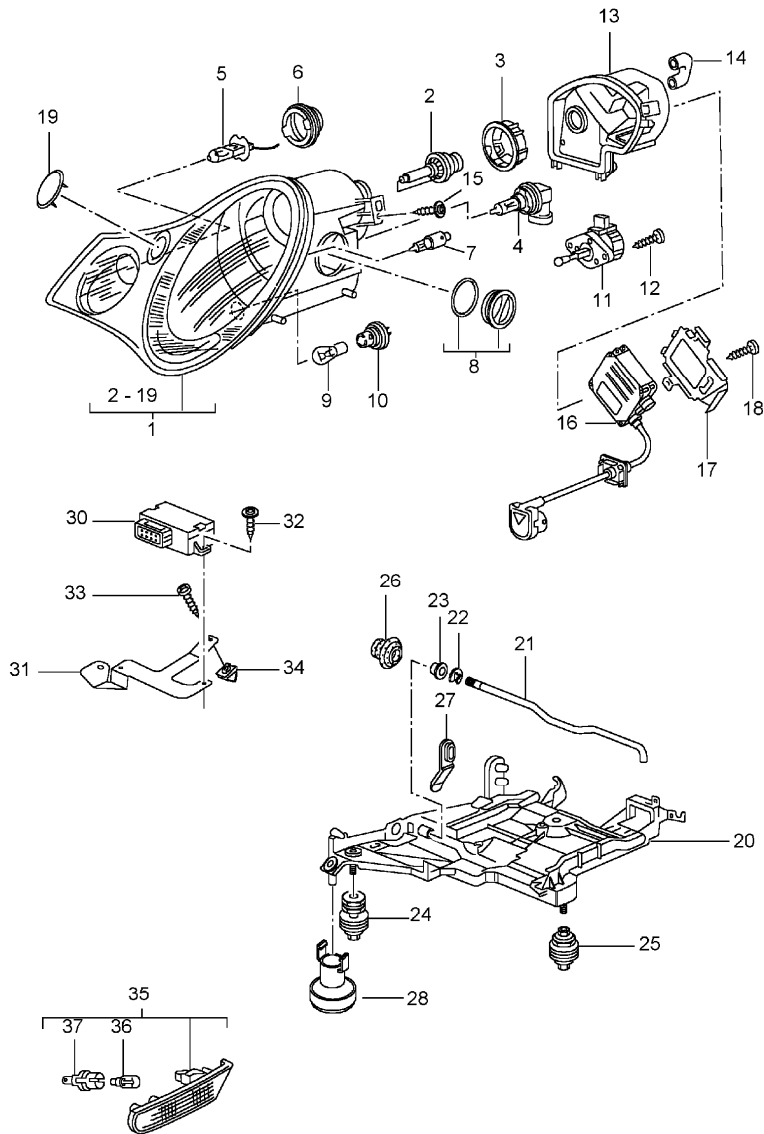


Pos	Part Number	Description	Remark	Qty	Model
		headlamp direction indicator light	03-		
1	996 631 055 50	headlamp	/L	1	
1	996 631 056 50	headlamp	/R	1	
1	996 631 065 50	headlamp	/L	1	M492
1	996 631 066 50	headlamp	/R	1	M492
2	999 631 133 90	halogen bulb H 7		2	
3	996 631 128 00	bulb socket		2	
4	999 631 143 90	halogen bulb H 9		2	
5	900 631 126 90	halogen bulb H 3		2	
6	996 631 123 00	protective cap fog headlamp		2	
7	999 631 140 90	bulb H 6 W position light		2	
8	996 631 134 00	protective cap position light		2	
9	900 631 131 90	bulb 21 W yellow direction indicator light		2	
10	996 631 118 00	bulb socket direction indicator light		2	
11	996 631 114 00	bearing bracket		2	
12	999 919 093 02	oval-head screw 4,0 X 10		4	
13	996 631 101 50	protective cap headlamp	/L	1	
(13)	996 631 102 50	protective cap headlamp	/R	1	
14	996 631 120 00	breather adapter		2	
15	996 631 173 00	mounting	/L	1	
(15)	996 631 174 00	mounting	/R	1	

Model	Year	MG	SG	Illustration	Restrictions	UPD	19:51	26.01.2010	PORSCHE	PET	PORSCHE
GT3-1	2005	9	05	905-02		248					

Pos	Part Number	Description	Remark	Qty	Model	Pos	Part Number	Description	Remark	Qty	Model
16	996 631 273 00	clamping bow		2							
17	900 116 004 09	lock washer		2							
18	996 631 272 00	bearing sleeve		2							
19	996 631 079 00	fastening part		4							
20	996 631 078 00	fastening part		2							
21	999 703 413 40	stopper		2							
22	993 631 170 03	stopper		6							
-	996 631 140 00	sealing washer ventilation pipe		2							
(23)	996 631 149 00	ventilation component		2							
		direction indicator light									
25	996 631 043 01	direction indicator light	/L	1							
(25)	996 631 044 01	direction indicator light	/R	1							
26	999 631 138 90	bulb 5 W yellow		2							
(27)	996 631 133 01	bulb socket		2							

Model	Year	MG	SG	Illustration	Restrictions	UPD	19:51	26.01.2010	PORSCHE	PET	PORSCHE
GT3-1	2005	9	05	905-03		248					

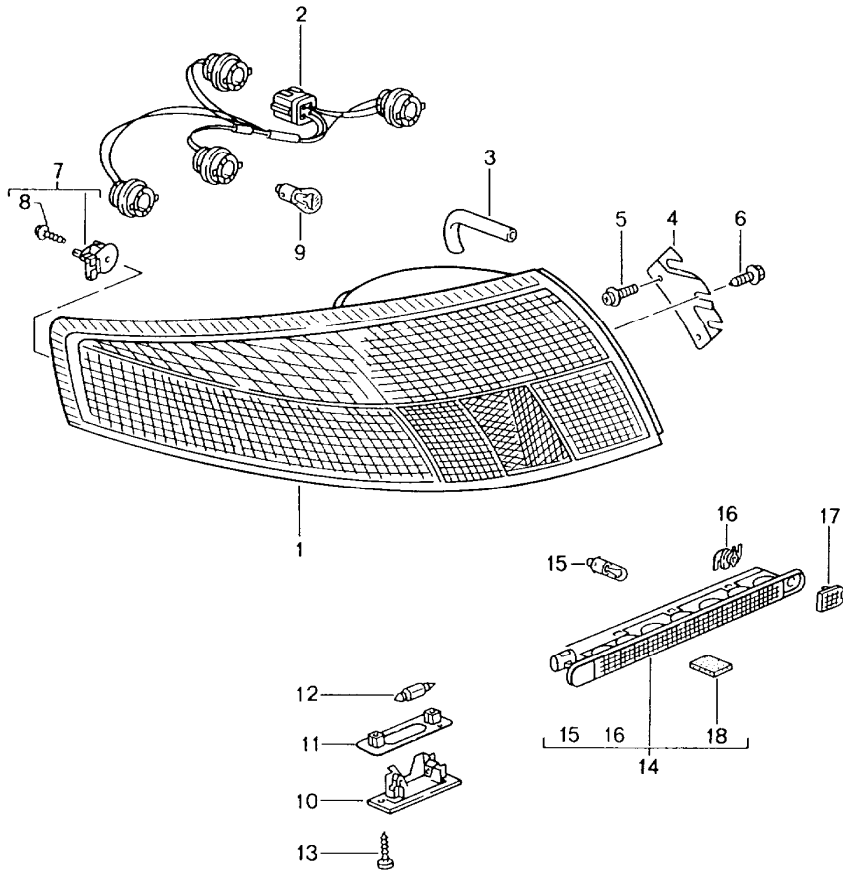


Pos	Part Number	Description	Remark	Qty	Model
			03-		M601
1	996 631 055 20	headlamp direction indicator light	/L	1	
1	996 631 056 20	headlamp	/R	1	
1	996 631 065 20	headlamp	/L	1	M492
1	996 631 066 20	headlamp	/R	1	M492
2	999 631 036 90	bulb - PHILIPS -		2	
3	996 631 179 00	retainer		2	
4	999 631 144 90	halogen bulb H 11		2	
4	999 631 144 91	halogen bulb H 11		2	
5	900 631 126 90	halogen bulb H 3		2	
6	996 631 123 00	protective cap fog headlamp		2	
7	999 631 140 90	bulb H 6 W position light		2	
8	996 631 134 00	protective cap position light		2	
9	900 631 131 90	bulb 21 W yellow direction indicator light		2	
10	996 631 118 00	bulb socket direction indicator light		2	
11	996 631 135 00	electric motor headlight levelling system		2	
12	999 919 093 02	oval-head screw 4,0 X 10		4	
13	996 631 101 10	protective cap headlamp	/L	1	
(13)	996 631 102 10	protective cap headlamp	/R	1	
14	996 631 120 00	breather adapter		2	

Model	Year	MG	SG	Illustration	Restrictions	UPD	19:51	26.01.2010	PORSCHE	PET	PORSCHE
GT3-1	2005	9	05	905-03		248					

Pos	Part Number	Description	Remark	Qty	Model	Pos	Part Number	Description	Remark	Qty	Model
15	999 919 050 02	oval-head screw 4,0 X 12		4				sensor headlight levelling system see group 4/01/00 5/01/01	/V /H		
16	996 631 183 00	control unit		2							
17	996 631 161 00	support	/L	1				direction indicator light			
(17)	996 631 162 00	support	/R	1							
18	999 919 017 02	oval-head screw 4,0 X 16		2		35	996 631 043 01	direction indicator light	/L	1	
19	-	trim cover and nozzle headlight washer system see group 9/04/21				(35)	996 631 044 01	direction indicator light	/R	1	
						36	999 631 138 90	bulb 5 W yellow		2	
						(37)	996 631 133 01	bulb socket		2	
20	996 631 173 00	mounting	/L	1							
(20)	996 631 174 00	mounting	/R	1							
21	996 631 273 00	clamping bow		2							
22	900 116 004 09	lock washer		2							
23	996 631 272 00	bearing sleeve		2							
24	996 631 079 00	fastening part		4							
25	996 631 078 00	fastening part		2							
26	999 703 413 40	stopper		2							
27	993 631 170 03	stopper		6							
-	996 631 140 00	sealing washer ventilation component		2							
28	996 631 149 00	ventilation component		2							
30	996 618 151 15	control unit headlight levelling system		1							
31	996 618 155 10	support		1							
32	900 143 157 07	combination screw BZ 4,2 X 13 Z2		2							
33	999 073 196 09	tapping screw ST 4,8 X 9,5		1							
34	999 591 855 02	speed nut 4,8		1							

Model	Year	MG	SG	Illustration	Restrictions	UPD	19:52	26.01.2010	PORSCHE	PET	PORSCHE
GT3-1	2005	9	05	905-05		248					

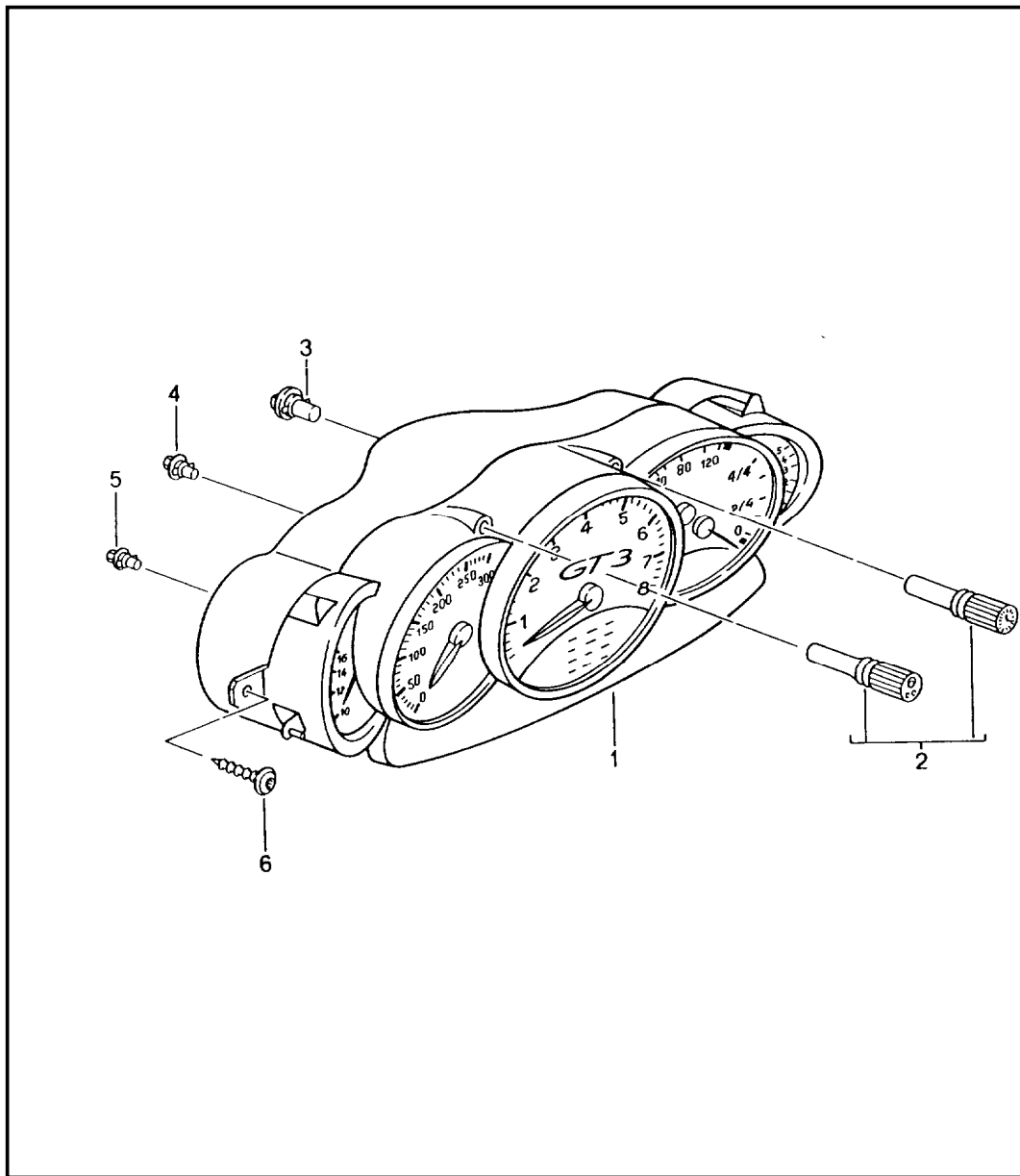


Pos	Part Number	Description	Remark	Qty	Model
		rear light license plate light additional brake light			M602
1	996 631 485 00	tail light housing	/L	1	
(1)	996 631 486 00	tail light housing	/R	1	
2	996 631 436 00	wiring harness		2	
3	996 631 451 01	connection piece		4	
4	996 631 463 02	support	/L	1	
(4)	996 631 464 02	support	/R	1	
5	999 074 113 02	combination screw M 5 X 18		4	
6	999 074 115 09	hexagon-head bolt M 6 X 16		2	
7	996 631 471 00	mounting		2	
8	999 919 121 09	screw		2	
9	900 631 127 90	bulb 21 W white		X	
9	900 631 131 90	bulb 21 W yellow		X	
(9)	900 631 128 90	bulb 21/5 W		X	
10	964 631 620 00	license plate light	-02	2	
	01C	black			
(10)	997 631 620 00	license plate light	04-	2	
11	993 631 166 00	desk pad	-02	2	
12	900 631 105 90	bulb 12V 5W		2	
13	900 143 085 07	tapping screw 4,2 X 16	-02	4	
14	996 631 050 00	additional brake light		1	M602
15	900 631 019 90	bulb 3 W		X	M602
16	996 631 168 00	fastening part		1	M602

Model	Year	MG	SG	Illustration	Restrictions	UPD	19:52	26.01.2010	PORSCHE	PET	PORSCHE
GT3-1	2005	9	05	905-05		248					

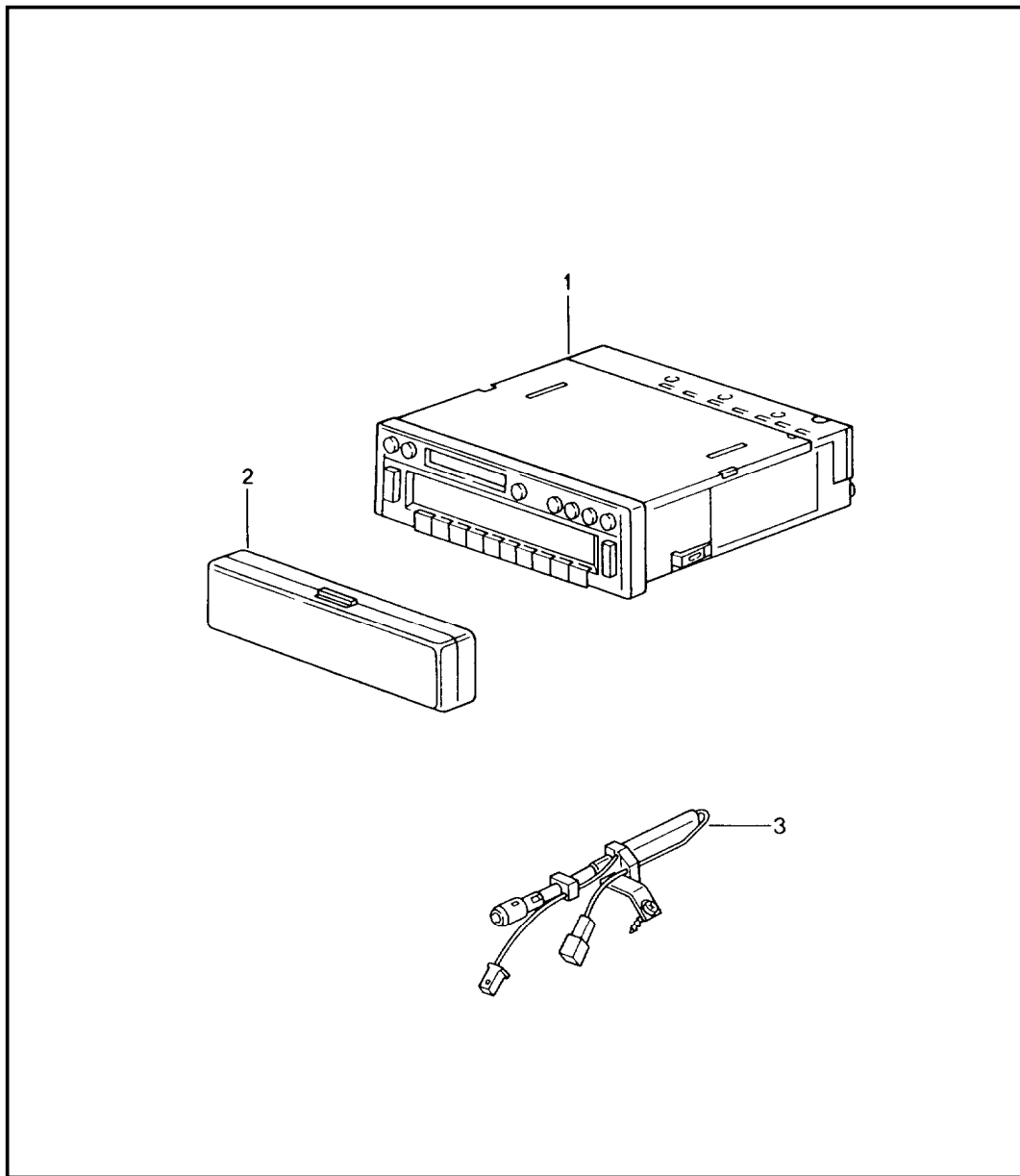
Pos	Part Number	Description	Remark	Qty	Model	Pos	Part Number	Description	Remark	Qty	Model
17	996 631 165 00	cap		1	M602						
18	996 631 105 00	desk pad		2	M602						

Model	Year	MG	SG	Illustration	Restrictions	UPD	19:52	26.01.2010	PORSCHE	PET	PORSCHE
GT3-1	2005	9	06	906-01		248					



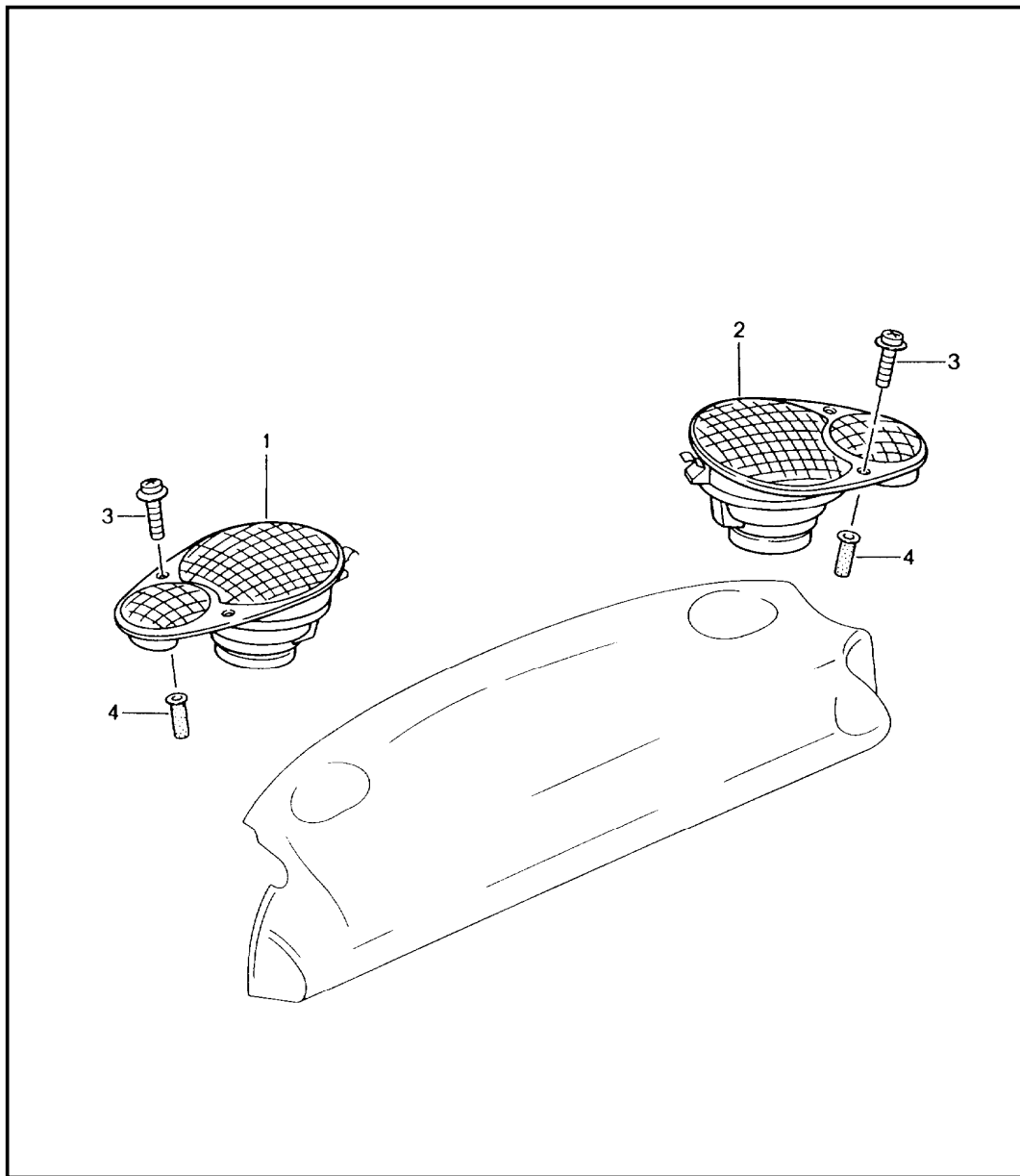
Pos	Part Number	Description	Remark	Qty	Model
		instruments complete			
		tech. information memo GR.9 , NR. 17/98			
		see tpi GR.9 , NR. 20		01	
1	996 641 105 95	instrument cluster 70C rally black		-02	1
(1)	996 641 215 92	instrument cluster 70C rally black		04-	1
(1)	996 641 981 94	instrument cluster 70C rally black		04-	1 IX71
(1)	996 641 107 95	instrument cluster 70C rally black	(GB)	-02	1
(1)	996 641 217 92	instrument cluster 70C rally black	(GB)	04-	1
(1)	996 641 981 95	instrument cluster 70C rally black	(GB)	04-	1 IX71
(2)	996 641 911 00	knob actuator trip meter and clock			1
(3)	999 631 304 90	glass-base bulb 12 V 3 W		-02	X
(4)	999 631 303 90	glass-base bulb 12 V 1,5 W		-02	X
(5)	999 631 302 90	glass-base bulb 12 V 1,2 W		-02	X
(6)	999 919 188 09	oval-head screw 5,0 X 30			2

Model	Year	MG	SG	Illustration	Restrictions	UPD	19:52	26.01.2010	PORSCHE	PET	PORSCHE
GT3-1	2005	9	11	911-00		248					



Pos	Part Number	Description	Remark	Qty	Model
1	-	radio radio see catalogue - TEQUIPMENT -			
(2)	996 645 190 00	case for control part radio	-02	1	
-	996 645 106 00	alarm contact plate for radio	-01	1	
-	996 645 107 00	alarm contact plate for radio	02	1	
3	996 647 105 00	antenna booster antenna booster radio		1	
-	996 612 072 00	connecting cable antenna booster radio	-02	1	
-	996 612 072 01	connecting cable antenna booster radio	04-	1	

Model	Year	MG	SG	Illustration	Restrictions	UPD	19:52	26.01.2010	PORSCHE	PET	PORSCHE
GT3-1	2005	9	11	911-05		248					

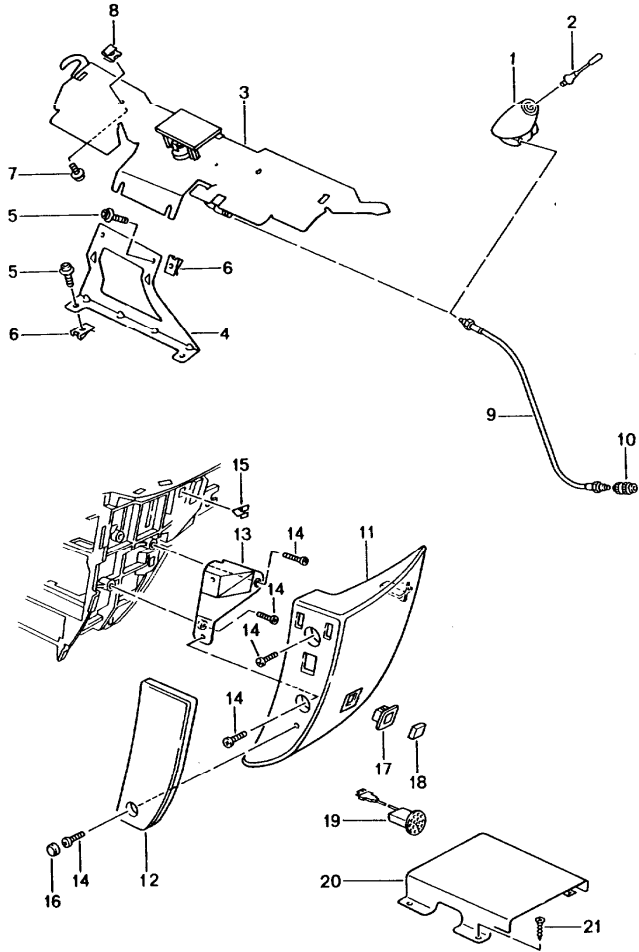


Pos	Part Number	Description	Remark	Qty	Model
		loudspeaker			
1	996 645 035 02	loudspeaker	/V/L	1	M441
	01C	satin black			
(1)	996 645 046 02	loudspeaker	/H/L	04-	M441
	01C	satin black			
2	996 645 036 02	loudspeaker	/V/R	1	M441
	01C	satin black			
(2)	996 645 045 02	loudspeaker	/H/R	04-	M441
	01C	satin black			
(2)	996 645 049 02	loudspeaker grille		X	
	01C	satin black			
(1)	996 645 981 01	loudspeaker	/V/L	01-	IXKL/XKP M441
		leather			
	VRK	black			
(1)	996 645 987 05	loudspeaker	/H/L	04-	IXKL/M441
		leather			
	VRK	black			
(2)	996 645 982 01	loudspeaker	/V/R	01-	IXKL/XKP M441
		leather			
	VRK	black			
(2)	996 645 986 05	loudspeaker	/H/R	04-	IXKL/M441
		leather			
	VRK	black			
(2)	996 645 985 00	loudspeaker grille		01-	X IXKL/XKP
		leather			
	VRK	black			
(1)	996 645 987 03	loudspeaker	/H/L	04-	IXKP/M441
		carbon			
	A03	black			
(2)	996 645 986 03	loudspeaker	/H/R	04-	IXKP/M441
		carbon			

Model	Year	MG	SG	Illustration	Restrictions	UPD	19:52	26.01.2010	PORSCHE	PET	PORSCHE
GT3-1	2005	9	11	911-05		248					

Pos	Part Number	Description	Remark	Qty	Model	Pos	Part Number	Description	Remark	Qty	Model
	A03	black									
(2)	996 645 985 03	loudspeaker grille carbon	/H	01-	2	IXKP					
	A03	black									
3	999 919 166 07	oval-head screw 4,0 X 30		-01	4						
3	999 919 166 07	oval-head screw 4,0 X 30	/H	04-	4						
(3)	999 073 224 09	tapping screw 4,2 X 25	/V	02-	4						
4	999 920 015 40	plug-in nut 4,0		-01	4						
4	999 920 015 40	plug-in nut 4,0	/H	04-	4						
(4)	999 507 767 02	speed nut 4,2	/V	02-	2						
(4)	999 507 768 02	speed nut 4,2	/V	02-	2						

Model	Year	MG	SG	Illustration	Restrictions	UPD	19:52	26.01.2010	PORSCHE	PET	PORSCHE
GT3-1	2005	9	11	911-10		248					



Pos	Part Number	Description	Remark	Qty	Model
		preparation for telephone			M618
1	996 647 103 00	antenna base use also:		-00 1	
-	996 647 106 00	cap for antenna base see technical information GR.9 , NR. 2/00		-00 1	
-	996 647 201 00	reinforcement for antenna base see technical information GR.9 , NR. 10/99		-00 1	
2	996 647 104 00	antenna rod		-00 1	
3	996 647 125 00	antenna	/LL	01- 1	
(3)	996 647 126 00	antenna	/RL	01- 1	
4 A	996 647 127 00	support POS. 5 + 6 attention	/LL	-04 1	
(4)	997 647 127 00	support POS. 5 + 6 attention	/LL	04- 1	
(4) A	996 647 128 00	support POS. 5 + 6 attention	/RL	-04 1	
(4)	997 647 128 00	support POS. 5 + 6 attention		04- 1	
5	999 073 203 00	round head screw M 5 X 12 - Z2 for support 996.647.127/128.00		-04 4	
5	999 073 236 0A	oval-head screw M 6 X 10 for support 997.647.127/128.00		04- 4	
6	999 507 067 09	speed nut M 5 for support 996.647.127/128.00		-04 4	

Model	Year	MG	SG	Illustration	Restrictions	UPD	19:52	26.01.2010	PORSCHE	PET	PORSCHE
GT3-1	2005	9	11	911-10		248					

Pos	Part Number	Description	Remark	Qty	Model	Pos	Part Number	Description	Remark	Qty	Model
6	999 507 550 01	speed nut M 6 for support 997.647.127/128.00	04-	4		-	996 552 581 00	filler piece bracket telephone	/RL	1	
							01C	satin black			
7	999 073 210 00	tapping screw 4,8 X 13	01-	2		-	996 552 582 00	filler piece bracket telephone	/LL	1	
8 A	999 507 441 02	speed nut 4,8	01-	2			01C	satin black			
8	999 507 441 01	speed nut 4,8	01-	2		14	999 919 121 09	oval-head screw 5,0 X 16		6	
9	996 612 086 00	extension cable	-00	1		15	999 507 476 01	clamp 8,0 X 10,2		3	
9	996 612 037 00	extension cable	01-	1		16	996 552 824 00	cap		1	
10	964 646 318 00	adapter plug	/LL	1			01C	satin black			
(10)	996 646 318 00	adapter plug	/RL	1		17	996 646 125 01	frame		1	
11	996 552 094 04	bracket leatherette	/LL	1		18	996 646 126 00	cover		1	
	A18	black	-00			19	996 646 307 01	microphone	/LL	-01	1
	A12	black	01-				A03	black			
(11)	996 552 093 04	bracket leatherette	/RL	1		(19)	996 646 308 01	microphone	/RL	-01	1
	A18	black	-00				A03	black			
	A12	black	01-			(19)	996 646 307 02	microphone	/LL	02-	1
							A03	black			
11	996 552 094 03	bracket leather	/LL	1		(19)	996 646 308 02	microphone	/RL	02-	1
	A11	black					A03	black			
(11)	996 552 093 03	bracket leather	/RL	1		20	996 646 235 01	support		1	
	A11	black				21	999 073 060 02	tapping screw 4,8 X 13		4	
12	996 552 298 00	attachment	/LL	1		-	996 521 665 00	stop seat rail inner		1	M375/376 M539/540
	01C	satin black									
(12)	996 552 297 00	attachment	/RL	1							
	01C	satin black									
(13)	996 552 624 02	adapter		1							

MXI KAT22

KAT.	M-X-I -NR	BENENNUNG-Deutsch DESCRIPTION-English
22	M000	+-----+ ! M-Nummern-Uebersicht ! +-----+ +-----+ ! Summary of optional extras "M"! +-----+
22	M002	911 Carrera RS strassenversion 911 Carrera RS road version
22	M003	911 Carrera RS Clubsport 911 carrera rs clubsport
22	M004	GT3 RS (STRASSE) GT3 RS (STREET)
22	M024	Griechenland-Ausführung Version for Greece
22	M034	Italien - Ausführung Version for Italy
22	M061	Grossbritannien-Ausführung Version for Great Britain
22	M062	Schweden-Ausführung Version for Sweden
22	M063	Luxemburg-Ausführung Version Luxemburg
22	M064	Niederlande-Ausführung Version for Netherlands
22	M065	Dänemark-Ausführung Version for Denmark
22	M066	Norwegen-Ausführung Version for Norway
22	M067	Finnland-Ausführung Version for Finland
22	M068	Thailand-Ausführung Version for Thailand
22	M069	Sonstige-Länderausführung Other country version
22	M071	EU-Länderausführung EU country version
22	M072	Mexico-Ausführung Version for Mexico
22	M111	Österreich-Ausführung Version for Austria
22	M114	Taiwan - Ausführung Version for Taiwan
22	M119	Spanien - Ausführung Version for Spain
22	M124	Frankreich - Ausführung Version for France
22	M126	Beschreibung französisch Control and indications in french lettering
22	M127	Beschreibung schwedisch Control and indications in schwedisch
22	M130	Beschreibung englisch Control and indications in english lettering
22	M150	Betrieb mit verbleitem Kraftstoff Operates with leaded gas
22	M193	Japan-Ausführung Version for Japan
22	M197	Stärkere Batterie Stronger battery
22	M215	Saudi-Arabien - Ausführung Version for Saudi Arabia

MXI KAT22

22	M225	Belgien-Ausführung Version for Belgium
22	M265	Automatisch abblendbarer Innenspiegel mit Regensensor Automatic anti-dazzle interior mirror with rain sensor
22	M266	Automatisch abblendbarer Aussenspiegel Automatic anti-dazzle exterior mirror
22	M270	Aussenspiegel für Fahrerseite -plan-, elektrisch verstell- und beheizbar Outside mirror -plan- driver's side, electrically adjustable and heatable
22	M271	Aussenspiegel für Fahreseite -asphaerisch-, elektrisch verstell- und beheizbar Outside mirror -aspherical- driver's side, electrically adjustable and heatable
22	M272	Aussenspiegel, manuell verstellbar Outside mirror, manually adjustable
22	M273	Aussenspiegel, elektrisch verstell- und beheizbar Outside mirror, electrically adjustable and heatable
22	M274	Make-up Spiegel beleuchtet Make-up mirror illuminated
22	M277	Schweiz-Ausführung Version for Switzerland
22	M342	Sitzheizung, links u. rechts Seat heating system, left/right seat
22	M375	Sportsitz, Lehnenschale, links Sportseat, backrest shell, left
22	M376	Sportsitz, Lehnenschale, rechts Sportseat, backrest shell, right
22	M421	Kassettenablage vorn Front cassette compartment
22	M424	CD-Ablage CD compartment
22	M426	Ohne Heckwischer Without rear window wiper
22	M436	3-Speichen-Airbaglenkrad 3-spoke airbag steering wheel
22	M440	Manuelle Antenne, 4 Lautsprecher --> MJ 2002 Antennen-Diversity --> MJ 2003 Manual antenna, 4 loudspeakers --> mj 2002 Antenna diversity --> mj 2003
22	M441	Radiovorbereitung Prepared for radio
22	M450	Keramik-Bremse (PCCB) Ceramic brake (PCCB)
22	M465	Nebelschleuchte links Rear foglamp, left
22	M466	Nebelschleuchte rechts Rear foglamp, right
22	M479	Australien - Ausführung Version for Australia
22	M480	6-Gang Schalgetriebe 6-speed manual transmission
22	M488	Beschriftung Deutsch Inscriptions in German language
22	M492	Scheinwerfer fuer Linksverkehr For left-hand traffic
22	M498	Entfall der Modellbezeichnung am Heck Without vehicle-type-lettering on rear end
22	M499	Ausführung für die Bundesrepublik Deutschland Version for Germany
22	M532	Entfall Fernbedienung Alarmanlage Deleted remote control anti-theft device
22	M534	Diebstahlsicherungsanlage Theft security system
22	M535	Diebstahlsicherung 315 MHz Anti-theft lock 315 mhz
22	M536	Alarmsirene und Neigungsgeber Alarm siren and tilt sensor

MXI KAT22

22	M539	Mechanische Sitzhöhenverstellung links Mechanical seat-height adjustment left
22	M540	Mechanische Sitzhöhenverstellung rechts Mechanical seat-height adjustment right
22	M562	Airbag Fahrer- und Beifahrerseite Airbagdriver's side and front passenger's side
22	M563	Seitenairbag Side airbag
22	M566	Nebelscheinwerfer weiss Fog-headlamps, white
22	M567	Frönscheibe im oberen Bereich stark eingefärbt Windshield tinted, upper part darker coloured
22	M571	Aktivkohlefilter Activated charcoal filter
22	M573	Klima-Anlage Air conditioner
22	M574	Ohne Klima-Anlage Without air conditioner
22	M580	Nichtraucherpaket Non-smoker's package
22	M581	Mittelkonsole vorn Center console front
22	M590	Motorische Deckelverriegelung Power lid locking
22	M596	Sicherheitskäfig weiss Safety cage, white
22	M597	Schriftzug und Felgenstern in rot Logo and wheel spokes in red
22	M598	Schriftzug und Felgenstern in blau Logo and wheel spokes in blue
22	M602	Hochgesetzte Bremsleuchte Araised stop lamp
22	M605	Leuchtweitenregulierung Headlight vertical aim control
22	M606	Tagfahrlicht Daytime running lamp
22	M618	Telefonvorbereitung Preparation of telephone installation
22	M651	Elektrischer Fensterheber Electric window opener
22	M657	Servolenkung Power assisted steering
22	M659	Bordcomputer Computer
22	M665	PCM2 Grundmodul inklusive Radio PCM2 basic module including radio
22	M666	PCM2 Telefon (GSM) PCM2 telephone (GSM)
22	M668	PCM2 Telefonbedienthörer PCM2 telephone handset
22	M670	PCM2 Navigation PCM2 navigation
22	M981	Leder-Ausstattung ohne Sitzbezüge Leather equipment without seat covers
22	M983	Sitzbezüge vorne, Leder Seat covers front, leather
22	M990	Sitzbezüge vorne, Stoff/Stoff/Kunstleder Seat covers front, cloth/cloth/leatherette
22	M999	Innenraumüberwachung Sensor für Lederfarbe nach Wahl Passenger compartment monitoring sensor for leather colour of choice
22	IXAA	Aerokit Cup Aerokit cup
22	IXAB	Speedster-Heck, Wagenfarbe lackiert Spyder rear in body colour
22	IXAF	Aerokit Turbo Turbo aerokit

MXI KAT22

22	I XAG	Carrera - Heckspoiler Carrera - rear spoiler
22	I XCG	Sportsitzrückenlehne Alu-Optik Sports seat backrest in Aluminium-Look finish
22	I XD9	Felgenstern in Wagenfarbe lackiert Wheel painted in body colour
22	I XE8	Schaltnopf Alu/Wurzelholz Dunkel/Leder Gear lever knob aluminium/dark burr maple/leather
22	I XE9	Handbremshebel Alu/Wurzelholz Dunkel/Leder Handbrake lever aluminium/dark burr maple/leather
22	I XJB	Mittelkonsole hinten arktissilber Rear section of centre console in arctic silver
22	I XJ4	Rosette für Zündschloss Lederbezogen Leather cover for ignition lock surround
22	I XKB	Luftseitendüse Wurzelholz/Ahorn hell Side air vent in light burr maple
22	I XKC	Luftseitendüse Wurzelholz/Ahorn dunkel Side air vent in dark burr maple
22	I XKD	Luftseitendüse carbon Side air vent in carbon
22	I XKE	Luftseitendüse arktissilber Side air vent in arctic silver
22	I XKG	Defrosterblende Wurzelholz/Ahorn hell, Leder "Windscr. defr. panel in light burr maple; leather"
22	I XKH	Defrosterblende Wurzelholz/Ahorn dunkel, Leder "Windscr. defr. panel in dark burr maple; leather"
22	I XKJ	Defrosterblende Carbon/Leder Defroster trim in carbon/leather
22	I XKX	Instr. Abd. Unterteil arktissilber Instrument surround in arctic silver
22	I XLA	Boxster-Endrohr Boxster tail pipe
22	I XMA	Himmel mit Leder bezogen Rooflining in leather
22	I XME	Mittelkonsole hinten lackiert Rear section of centre console painted
22	I XMF	Mittelkonsole vorn inklusive 2 Ablagen, Leder Front center console incl. 2 storage bins, leather
22	I XMJ	Mittelkonsole hinten Carbon Rear section of centre console in carbon
22	I XMK	Überrollbügel in Exterieurfarbe Roll-over bar in exterior color
22	I XML	Mittelkonsole hinten Wurzelholz Ahorn hell Rear center console in light burr maple
22	I XMP	Sonnenblende Leder, 2 Make-up-Spiegel beleuchtet Leather sun visor, 2 lit make-up mirrors illuminated
22	I XMR	Sonnenblende Leder, 2 Make-Up-Spiegel beleuchtet Leder Sun visor in leather, 2 illuminated vanity mirrors,
22	I XMY	Überrollbügel arktissilber Roll-over bar in arctic silver
22	I XMZ	Mittelkonsole hinten Leder Rear section of centre console in leather
22	I XNB	Mittelkonsole hinten Wurzelholz Ahorn dunkel Rear center console in dark burr maple
22	I XNG	Instrumentenabdeckung Unterteil Leder Instrument surround in leather
22	I XNH	Seitendüse li./re. Leder Defrosterblende Side vent. left/right defroster trim in leather
22	I XNN	Mitteldüsenträger in Leder Center air vent bracket in leather
22	I XNR	Mitteldüsenträger Carbon Carbon center air vent bracket
22	I XNS	Lenkstock-Verkleidung 4-teilig Leder Leather steering column trim, 4-part
22	I XNU	Zierleiste (Nut) in Leder Leather trim strip (dashboard)
22	I XNV	Zierleiste (Nut) Wurzelholz/Ahorn hell Trim strip (dashboard) in light burr maple

MXI KAT22

22	I XNW	Zierleiste (Nut) Wurzelholz/Ahorn dunkel Trim strip (dashboard) in dark burr maple
22	I XNX	Zierleiste (Nut) in Carbon Carbon trim strip (dashboard)
22	I XNY	Zierleiste (Nut) arktissilber Trim strip in arctic silver
22	I XN3	Luftseitendüse Armaturenbrett Leder Dashboard side air vent in leather
22	I XPA	3-Speichen Sportlenkrad, Leder Interieurfarbe 3-spoke sports steering wheel in leather interior color
22	I XPB	3-Speichen Sportlenkrad, Wurzelholz/Ahorn hell, Leder 3-spoke sports steering wheel, light burr maple, leather
22	I XPC	3-Speichen Sportlenkrad, Wurzelholz/Ahorn dunkel, Leder 3-spoke sports steering wheel, dark burr maple, leather
22	I XPD	3-Speichen Sportlenkrad, Carbon/Leder 3-spoke sports steering wheel, carbon/leather
22	I XPG	3-Speichen Sportlenkrad, Sportsilber 3-spoke sports steering wheel, sports silver
22	I XPP	LAUTSPRECHER-ABDECKUNG SCHALTTAFEL INTERIEURFARBE LOUDSPEAKER FINISHER ON SWITCH PANEL IN INTERIOR COLOUR
22	I XPW	Instrumentenabdeckung Unterteil Wurzelholz/Ahorn, Hell Instrument surround in light burr maple
22	I XPX	Instrumentenabdeckung Unterteil Wurzelholz/Ahorn, Dunkel Instrument surround in dark burr maple, dark
22	I XPY	Instrumentenabdeckung Unterteil Carbon Carbon instrument surround
22	I XRA	SPORT-CLASSIC-RAD 17" 17" SPORTCLASSIC WHEEL
22	I XRB	Sport-Classic-2 Rad 18" 18" Sport Classic II wheel
22	I XRC	Sport-Techno Rad 18" 18" SportTechno wheel
22	I XRL	Sport-Design-Rad 18" 18" SportDesign wheel
22	I XRN	Distanzscheiben 17 mm, hinten 17-mm spacers, rear
22	I XRP	Distanzscheiben 5 mm, vorn/hinten 5-mm spacers, front/rear
22	I XSA	Sportsitzrückenlehne lackiert Painted sports seat backrest
22	I XSB	Sportsitzrückenlehne in Leder Leather sports seat backrest
22	I XSC	Porsche Wappen geprägt in Kopfstütze Porsche crest embossed in headrest
22	I XSD	Sitzbedienelemente in Leder Front seat controls in leather
22	I XSE	Schalensitz links Bucket seat, left
22	I XSF	Schalensitz rechts Bucket seat, right
22	I XSG	Rennschalensitz links Racing bucket seat, left
22	I XSJ	6-Punkt-Gurte 6-point harness
22	I XSL	6-Punkt-Sicherheitsbügel 6-point safety catch
22	I XSM	Rennsport-Sicherheitskäfig Racing safety cage
22	I XSN	Entfall hintere Sitzanlage Omission of rear seats
22	I XSR	Schalensitz rechts, Rückseite Carbon Carbon back for bucket seat, right
22	I XSS	Schalensitz links, Rückseite Carbon Carbon back for bucket seat, left
22	I XSU	Abgepolsterter Sitz Upholstered seat
22	I XSW	Sicherheitsgurte in Maritimblau Maritime Blue safety belts

MXI KAT22

22	I XSX	Sicherheitsgurte in indis chrot Seat belts in guards red
22	I XSY	Sicherheitsgurte in speedgel b Seat belts in speed yellow
22	I XTC	TUERTAFELTEILE IN LEDER DOOR FEATURES IN LEATHER
22	I XTE	TUERTAFELTEILE IN CARBON/LEDER DOOR FEATURES IN CARBON/LEATHER
22	I XTF	TUERTAFELTEILE ARKTISSILBER/LEDER DOOR FEATURES IN ARCTIC SILVER/LEATHER
22	I XTG	Schwellerabdeckung innen Leder Inner door sills in leather
22	I XTJ	Türtafel teile Wurzelholz/Ahorn hell Door panel parts in light burr maple
22	I XTK	Türtafel teile Wurzelholz/Ahorn dunkel Door panel parts in dark burr maple
22	I XTL	Türtafel teile Carbon Door features in carbon
22	I XV1	Defrosterblende Lederbezogen Defroster trim in leather
22	I XX1	Fussmatten, Schri ftzug, Leder ei ngefasst Floor mats, logo, leather border
22	I XX2	Fussraumbel euchtung Illuminated footwell
22	I XY5	Kulisse Tiptronic-Wähl hebel in Leder Tiptronic gear selector gate in leather
22	I XZD	Abdeckung Innenleuchte in Leder Interior light surround in leather
22	I X65	Tiptronic-Wähl hebel Wurzelholz Hell /Al u Tiptr. sel. lever in light burr maple/al umi ni um
22	I X66	Tiptronic-Wähl hebel Wurzelholz Dunkel /Al u Tiptr. sel. lever in dark burr maple/al umi ni um
22	I X69	Einstiegsblenden Carbon, Schri ftzug Door entry guards in carbon with logo
22	I X70	Einstiegsblenden Edelstahl, Schri ftzug Door entry guards in stainless steel with logo
22	I X71	Instrumenten-Zi fferblatt Lackiert/Al ufarbe Instrument dial painted/Al umi ni um-Look fi ni sh
22	I X72	Schal tknopf Al u/Wurzelholz Hell /Leder Gear lever knob al umi ni um/I ight burr maple/I eather
22	I X73	Sportfahrwerk Turbo Turbo sports suspension
22	I X74	Sportfahrwerk (excl usi v) Sports suspension (excl usi ve)
22	I X76	Schwellerverklei dungen li nks/rechts Inner door sill guard left/right
22	I X91	Handbremshebel Al u/Wurzelholz Hell /Leder Handbrake lever al umi ni um/I ight burr maple/I eather
22	I X99	Naturl eder Natural leather

Model GT3-1	Year 05	MG	SG	Illustration	VIN No.	Update 230	14:20	25.08.2008
----------------	------------	----	----	--------------	---------	---------------	-------	------------

EQUIPMENT BY COUNTRY REGULATIONS

=====

- (A) AUSTRIA
- (AG) ARABIAN GULF STATES
- (AUS) AUSTRALIA
- (B) BELGIUM
- (BR) BRAZIL
- (CDN) CANADA
- (CH) SWITZERLAND
- (D) FEDERAL REPUBLIC OF GERMANY
- (DK) DENMARK
- (E) SPAIN
- (F) FRANCE
- (GB) GREAT BRITAIN
- (GR) GREECE
- (HK) HONGKONG
- (I) ITALY

Model	Year	MG	SG	Illustration	VIN No.	Update		
GT3-1	05					230	14:20	25.08.2008

(J) JAPAN

(L) LUXEMBURG

(N) NORWAY

(NL) NETHERLANDS

(NZ) NEW ZEALAND

(P) PORTUGAL

(RC) TAIWAN

(S) SWEDEN

(SA) SAUDI ARABIA

(SF) FINLAND

(USA) UNITED STATES OF AMERICA

(ZA) SOUTH AFRICA

Model GT3-1	Year 05	MG	SG	Illustration	VIN No.	Update 230	14:20	25.08.2008
----------------	------------	----	----	--------------	---------	---------------	-------	------------

IN COLUMN - A -

IDENTIFICATION LETTER FOR PERIOD OF INSTALLATION
THAT IS REPEATED SEVERAL TIMES IN THE CATALOG GROUP.

EXPLANATION PLEASE FIND IN TEXT COLUMN OF THE CATALOG GROUP

IN COLUMN - QU - = NO. OF PIECES

- 1 NUMBER PER APPLICATION
- X NUMBER AS NEEDED
- * AVAILABLE ONLY IN RUNNING LENGTHS 1 = 1 METRE

IN COLUMN - MODEL/SYMBOL -

- M650 OPTIONAL EQUIPMENT - SEE M-NO. LIST
- 98 LIMITATION OF MODEL YEAR FOR INSTANCE: VALID UP TO
END OF MODEL YEAR 1997
- /LL LHD
- /RL RHD
- +
- /V FRONT I

Model GT3-1	Year 05	MG	SG	Illustration	VIN No.	Update 230	14:20	25.08.2008
----------------	------------	----	----	--------------	---------	---------------	-------	------------

I
 /H REAR I
 I----> APPLIES TO
 /L LEFT I DIRECTION OF TRAVEL
 I
 /R RIGHT I
 -----+
 WW THE PART CAN BE USED INSTEAD OF THE
 PRECEDING ONE.

Model GT3-1	Year 05	MG	SG	Illustration	VIN No.	Update 230	14:20	25.08.2008
----------------	------------	----	----	--------------	---------	---------------	-------	------------

LEGENDS AND NOTICES

=====

IN COLUMN -S- STATUS

- N NEW ADDITION
- P PART ALREADY IN PROGRAMME, BUT NEW
AT THIS APPLICATION
- W DELETED AT THIS APPLICATION, BUT CONTINUED TO BE CARRIED
- K THIS PART MUST BE RE-ORDERED IF IT IS UNAVAILABLE WHEN THE
ORDER IS FIRST PLACED. ORDER BACKLOGS ARE NOT PROCESSED.
- A STOCK TO BE USED UP
- U DELETED WITHOUT REPLACEMENT
- * PART ALSO OR ONLY AVAILABLE
IN REPAIR KIT
- > ALSO AVAILABLE IN EXCHANGE

IN COLUMN - ILL. -

- 1 IDENTIFICATION NO. IN ILLUSTRATION
- (1) PART ONLY SIMILAR AS ILLUSTRATED

Model GT3-1	Year 05	MG	SG	Illustration	VIN No.	Update 230	14:20	25.08.2008
----------------	------------	----	----	--------------	---------	---------------	-------	------------

- PART IS NOT ILLUSTRATED

FIG.-NUMBERS FOR WHICH THERE IS SHOWN NO TEXT ARE
NOT VALID FOR THIS EDITION OF CATALOGUE

IN COLUMN -PART NUMBER/CODE-

000 000 000 00 PART NUMBER EQUALS ORDERING NO., IF A CODE IS
SHOWN, IT WILL HAVE TO BE PART OF ORDERING
NUMBER

01C COLOUR CODE

IN COLUMN -TEXT

INSTALLATION WITH ENGINE OR CHASSIS
NUMBER-RANGE

EXAMPLE:

M 66W 00389>> FROM ENGINE NO.

F >>99WS6 00889 UP TO CHASSIS NO.

Model GT3-1	Year 05	MG	SG	Illustration	VIN No.	Update 230	14:20	25.08.2008
----------------	------------	----	----	--------------	---------	---------------	-------	------------

VEHICLE TYPE	TYPE	MY	TRANSMISSION NO.	TECHNICAL DATA
996 GT3	G96.90	00 Y	G9690 2 002001>999999	6-GANG
996 GT3	G96.90	01 1	G9690 2 002001>999999	6-GANG
996 GT3	G96.96	04 4	G9696 2 002001>999999	6-GANG
996 GT3	G96.96	05 5	G9696 2 002001>999999	6-GANG

Model GT3-1	Year 05	MG	SG	Illustration	VIN No.	Update 230	14:20	25.08.2008
----------------	------------	----	----	--------------	---------	---------------	-------	------------

EXPLANATION OF THE TRANSMISSION-NUMBERS USED IN THE CATALOGUE

=====

DIGIT:	1	2	3	4	5	6	7	8	9	10	11
EXAMPLE:	G	9	6	0	0	1	0	0	5	4	3
	=	=====				=	=====				
	!		!			!			!		!
	!		!			!			!		!
TRANSMISSION TYPE-----+			!			!			!		!
			!			!			!		!
TRANSMISSION VERSION-----+						!			!		!
						!			!		!
INDEX OF VARIANTS-----+									!		!
									!		!
SERIAL NUMBER-----+											!

Model GT3-1	Year 05	MG	SG	Illustration	VIN No.	Update 230	14:19	25.08.2008
----------------	------------	----	----	--------------	---------	---------------	-------	------------

ENGINE

VEHICLE TYPE	TYPE	MY	ENGINE NO.	TECHNICAL DATA
996 GT3	M96.76	00 Y	63Y 21501>23000	6ZYL/3,6L /265 KW
996 GT3	M96.76	01 1	631 21501>23000	6ZYL/3,6L /265 KW
996 GT3	M96.79	04 4	634 24501>26000	6ZYL/3,6L /280 KW
996 GT3 RS	M96.79	04 4	634 26501>27000	6ZYL/3,6L /280 KW
996 GT3	M96.79	05 5	635 24501>26000	6ZYL/3,6L /280 KW

Model GT3-1	Year 05	MG	SG	Illustration	VIN No.	Update 230	14:19	25.08.2008
----------------	------------	----	----	--------------	---------	---------------	-------	------------

VEHICLE TYPE	MY	VIN	ENGINE TYPE
996 COUPE GT3	00 Y	99YS6 90061>91900	M96.76 265 KW
996 COUPE GT3	00 1	991S6 90061>91900	M96.76 265 KW
996 COUPE GT3	04 4	994S6 90061>92000	M96.79 280 KW
996 COUPE GT3 (USA.CDN.MEX.BR)	04 4	994S6 92061>93000	M96.79 280 KW
996 COUPE GT3	05 5	995S6 90061>92000	M96.79 280 KW
996 COUPE GT3 (USA.CDN.MEX.BR)	05 5	995S6 92061>93000	M96.79 280 KW

Model GT3-1	Year 05	MG	SG	Illustration	VIN No.	Update 230	14:19	25.08.2008
----------------	------------	----	----	--------------	---------	---------------	-------	------------

EXPLANATION OF THE ABRIDGED VERSION OF THE VEHICLE IDENT. NUMBERS (VIN)

=====

USED IN THE CATALOGUE

=====

DIGIT: 1 2 3 4 5 6 7 8 9 10 11 12 13 14 15 16 17

EXAMPLE: W P 0 Z Z Z 9 9 Z W S 6 0 0 1 2 5

 === = = = =====

 ! ! ! ! !

VEHICLE TYPE 1ST+2ND DIGIT-----+ ! ! ! !

 ! ! ! !

MODEL YEAR-----+ ! ! !

 ! ! !

MANUFACTURING LOCATION-----+ ! !

 ! !

VEHICLE TYPE 3RD DIGIT-----+ !

 !

SERIAL NUMBER-----+ !

Model	Year	MG	SG	Illustration	VIN No.	Update		
GT3-1	05					230	14:19	25.08.2008

THIS PARTS CATALOGUE CONTAINS ALL ORDER INFORMATION OF
TYPE GT3 FROM MODEL YEAR 1999

IT IS AVAILABLE IN THE FOLLOWING LANGUAGES:

- GERMAN
- ENGLISH
- FRENCH
- ITALIAN
- SPANISH

UPDATING IS BEING PERFORMED BY CHANGING OF UPDATE.

THE EDITION CAN BE RECOGNIZED BY THE CURRENT NO.
IN THE BOTTOM LINE OF SUBJECT UPDATE.

THE PREVIOUS UPDATE SHOULD NO LONGER BE USED.

ALL ILLUSTRATIONS ARE SUBJECT TO CHANGE WITHOUT OBLIGATION.

THE SEATS FOR EACH MODEL ARE AVAILABLE IN THE PARTS CATALOGUE
"SEATS (STZ 19)".